

# MACHINE SPECIFICATIONS



Phone #: (360) 734-3482 • Online Tech Support: tech-support@shopfox.biz • Web: www.shopfox.biz

## MODEL W1808 2 HP CYCLONE DUST COLLECTOR

### Motor

Type .....	TEFC Class "F"
Horsepower .....	2 HP
Phase/Voltage .....	Single-Phase / 220V
Amps .....	14
Cycle/RPM .....	60 Hertz / 3450 RPM
Switch .....	Magnetic w/Thermal Overload Protection
Bearings .....	Shielded & Permanently Lubricated

### Overall Dimensions

Length .....	62"
Width .....	38"
Height .....	93"
Footprint .....	61" x 38"
Box 1 (Cyclone) Size .....	54" x 28" x 34"
Box 1 Shipping Weight .....	282 lbs.
Box 2 (Cartridge Filter) Size .....	61" x 18" x 18"
Box 2 Shipping Weight .....	44 lbs.
Box 3 (Stand) Size .....	43" x 13 <sup>1</sup> / <sub>2</sub> " x 8 <sup>1</sup> / <sub>2</sub> "
Box 3 Shipping Weight .....	115 lbs.
Machine Weight with Stand .....	395 lbs.

### Machine Specifications

Maximum CFM (7" Pipe, w/Filter Installed) .....	1383 CFM @ 2.6" SP
Maximum Static Pressure .....	11.5"
Impeller Size .....	14 <sup>1</sup> / <sub>2</sub> "
Intake Hole Size .....	7"
Cartridge Filter Diameter .....	15 <sup>3</sup> / <sub>4</sub> "
Cartridge Filter Surface Area .....	96 sq. ft.
Cartridge Filter Capability .....	99.9% of 0.2-2 Micron Particles
Collection Drum Size .....	35 Gallons
Sound Level .....	83 dB

### Construction:

Cyclone Body .....	16 Gauge Steel
Radial Impeller .....	Steel, Riveted
Collection Drum .....	Steel
Cartridge Filter .....	Spun-Bond Polyester
Blower Housing .....	11 Gauge Steel
Stand .....	14 Gauge Steel

### Additional Features

- Reinforced Intake
- 35 Gallon Collection Drum with Bag Holder and Plastic Collection Bag
- Gentle Brush Cleaning Mechanism Inside Cartridge Filter
- Remote Control w/Programmable Timer
- Casters Mounted on Collection Drum for Easy Moving

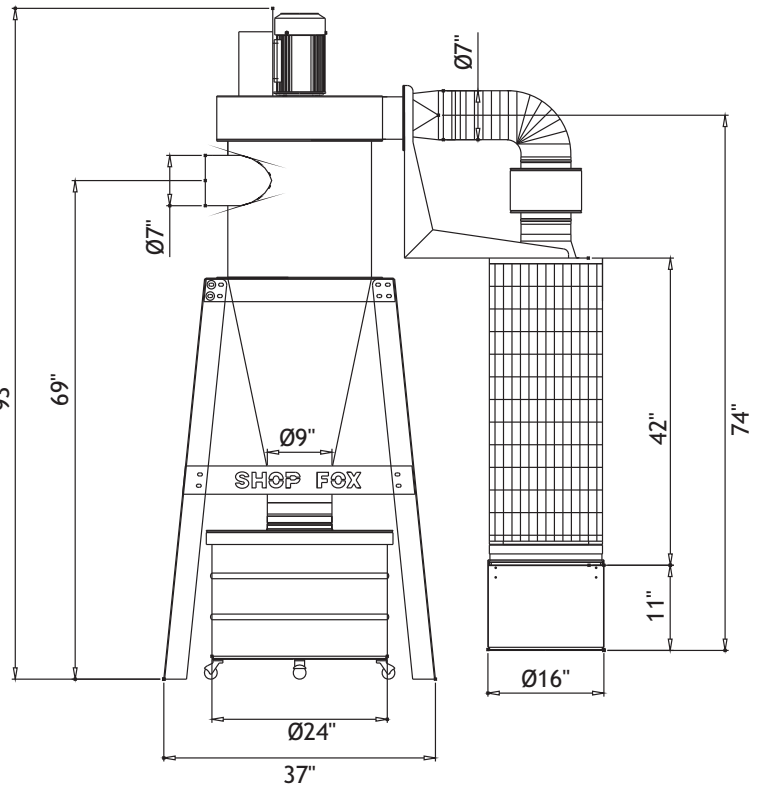
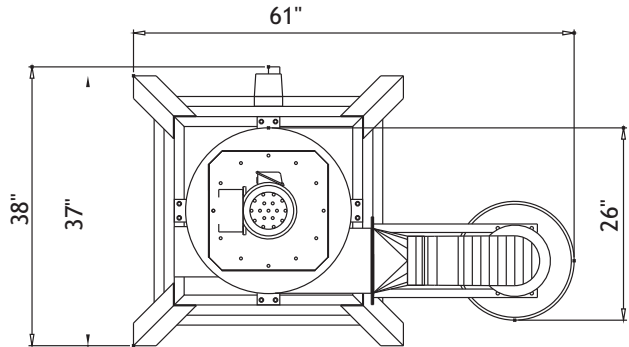
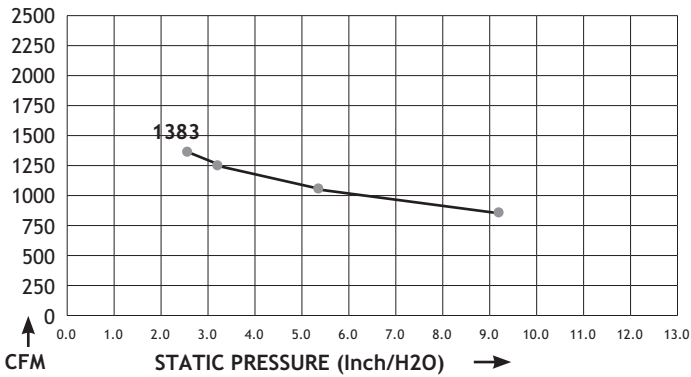
# MACHINE SPECIFICATIONS



Phone #: (360) 734-3482 • Online Tech Support: tech-support@shopfox.biz • Web: www.shopfox.biz

## MODEL W1808 2 HP CYCLONE DUST COLLECTOR

Performance Curve



2 HP SHOP FOX DUST COLLECTOR PERFORMANCE RESULTS

Max CFM	Max SP	HP	Volts	Inlet	Impeller
1383	11.5	2 HP	220V	7"	14' 1/2"

Restrictor Plate (inch)	Dia. 7"	Dia. 6"	Dia. 5"	Dia. 4"
Static Pressure (Inch/H2O)	2.6	3.2	5.4	9
CFM	1383	1311	1070	957

The airflow test probe is located 8x duct diameter upstream from the air inlet. Test pipe length is a minimum of 16x duct diameter.