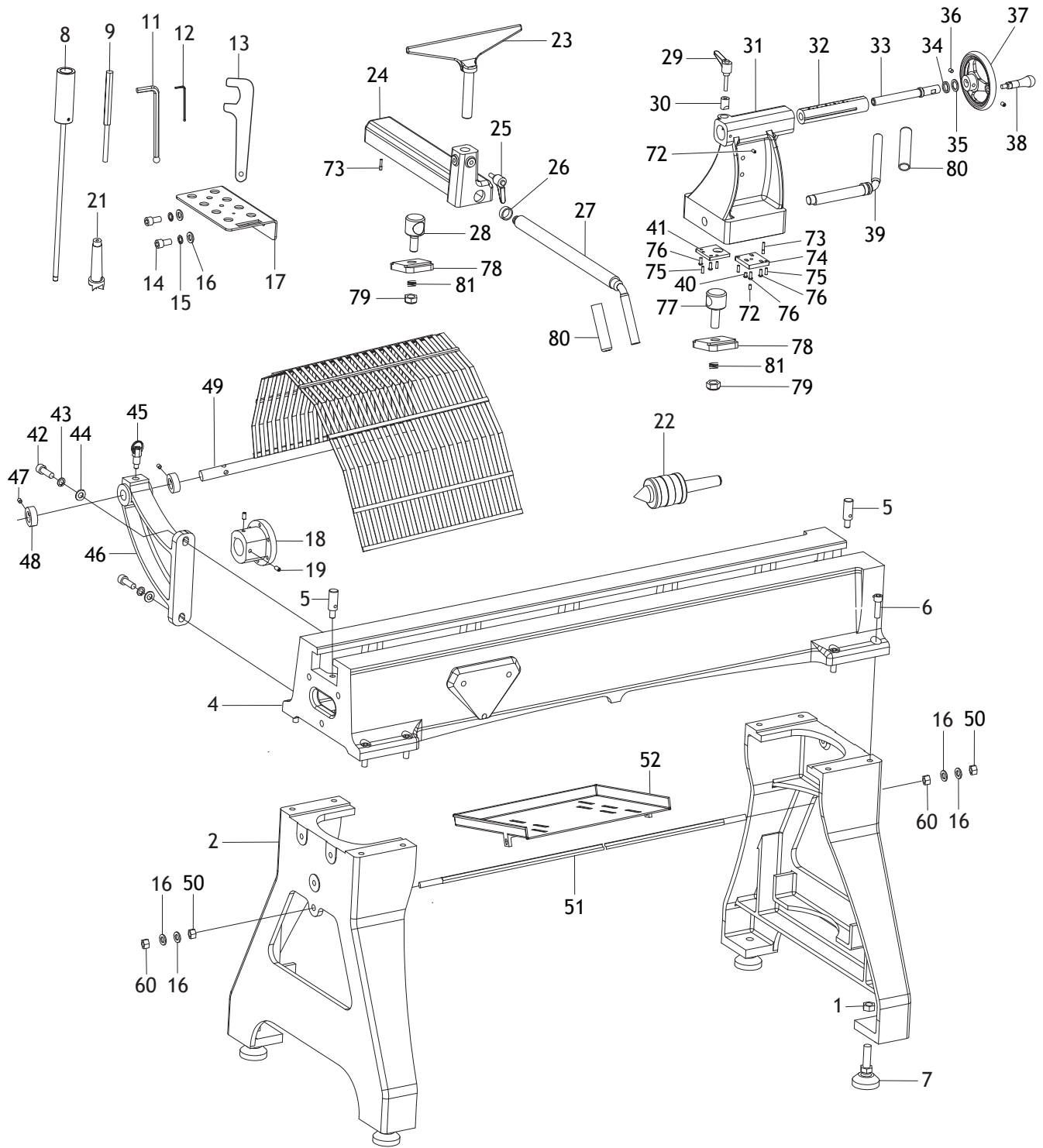


PARTS

Bed, Stand, Tool Rest & Tailstock

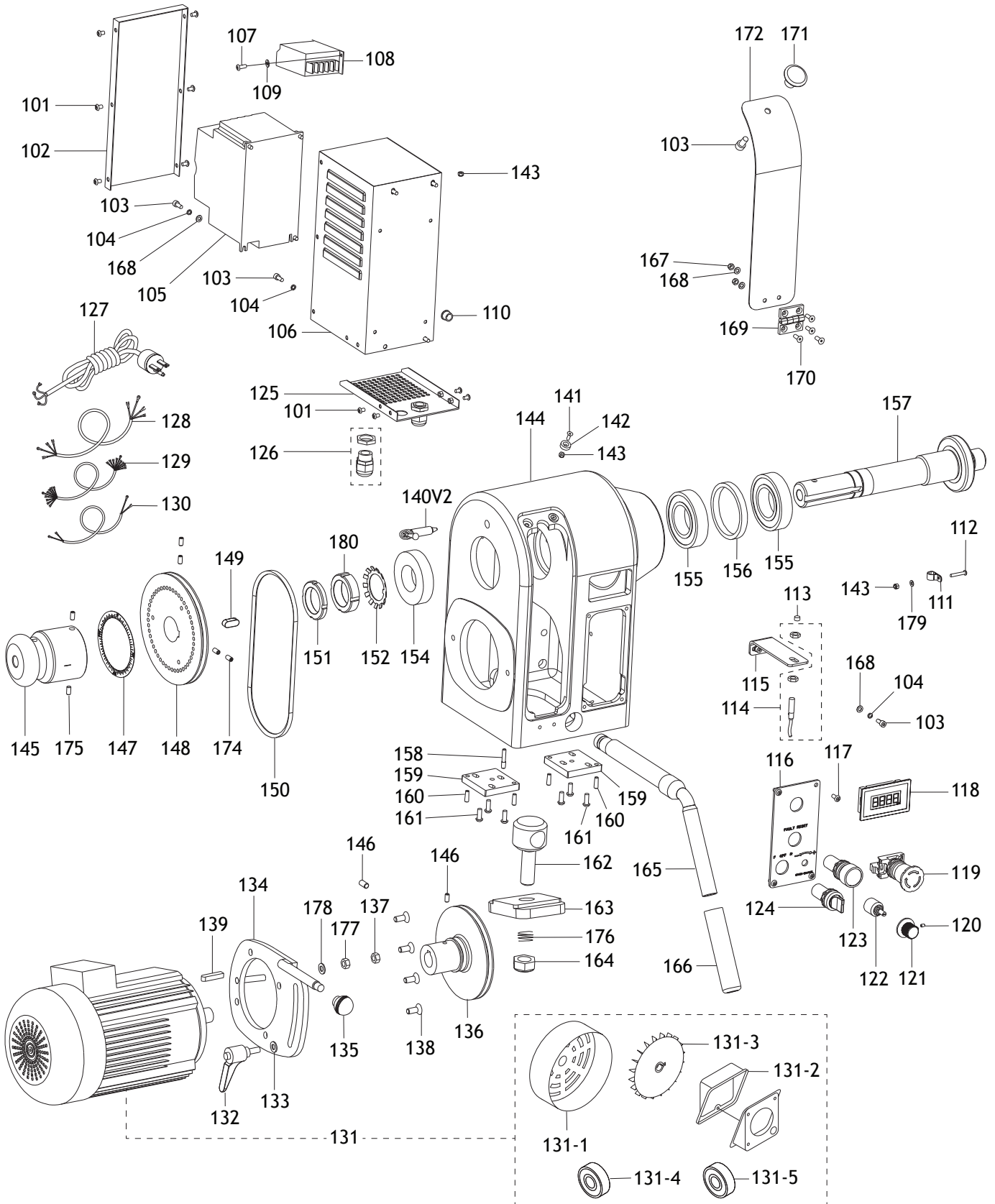


Bed, Stand, Tool Rest & Tailstock Parts List

REF PART #	DESCRIPTION
1	X1866001 HEX NUT M16-2
2	X1866002 STAND
4	X1866004 BED
5	X1866005 BED STOP M12-1.75 X 20, 66L
6	X1866006 CAP SCREW M12-1.75 X 35
7	X1866007 LEVELING FOOT M16-2 X 65
8	X1866008 KNOCKOUT ROD
9	X1866009 LOCATING ROD
11	X1866011 HEX WRENCH 10MM
12	X1866012 HEX WRENCH 3MM
13	X1866013 WRENCH 50MM OPEN-END
14	X1866014 CAP SCREW M12-1.75 X 20
15	X1866015 LOCK WASHER 12MM
16	X1866016 FLAT WASHER 12MM
17	X1866017 TOOL HOLDER
18	X1866018 FACEPLATE 3 1/4"
19	X1866019 SET SCREW M6-1 X 10
21	X1866021 SPUR CENTER MT#2
22	X1866022 LIVE CENTER MT#2
23	X1866023 TOOL REST W/1" POST
24	X1866024 TOOL REST BASE W/1" POST
25	X1866025 ADJUSTABLE HANDLE M10-1.5 X 25 80L
26	X1866026 BRASS SLEEVE
27	X1866027 TOOL REST LOCK LEVER
28	X1866028 TOOL REST CLAMP BOLT
29	X1866029 ADJUSTABLE HANDLE M10-1.5 X 45 80L
30	X1866030 LOCK SLEEVE
31	X1866031 TAILSTOCK
32	X1866032 TAILSTOCK QUILL
33	X1866033 LEADSCREW

REF PART #	DESCRIPTION
34	X1866034 SPACER
35	X1866035 FLAT WASHER 20 X 35 X 2.5MM PLASTIC
36	X1866036 SET SCREW M8-1.25 X 10
37	X1866037 HANDWHEEL TYPE-3 150D X 20B X M10-1.5
38	X1866038 HANDWHEEL HANDLE M10-1.5, 28 X 80L
39	X1866039 TAILSTOCK LOCK LEVER
40	X1866040 BUTTON HD CAP SCR M6-1 X 12
41	X1866041 TAILSTOCK MOUNTING BLOCK
42	X1866042 CAP SCREW M10-1.5 X 30
43	X1866043 LOCK WASHER 10MM
44	X1866044 FLAT WASHER 10MM
45	X1866045 SPRING PIN BOLT M12-1.75 X 18, 8 X 8
46	X1866046 CHUCK GUARD MOUNTING ARM
47	X1866047 SET SCREW M6-1 X 8
48	X1866048 CHUCK GUARD LOCK COLLAR
49	X1866049 CHUCK GUARD
50	X1866050 HEX NUT M12-1.75
51	X1866051 CHISEL PAN MOUNTING ROD
52	X1866052 CHISEL PAN
60	X1866060 LOCK NUT M12-1.75
72	X1866072 SET SCREW M6-1 X 12
73	X1866073 DOWEL PIN M6-1 X 10
74	X1866074 MOUNTING BLOCK
75	X1866075 TAPER PIN 6 X 20
76	X1866076 BUTTON HD CAP SCR M6-1 X 16
77	X1866077 TAILSTOCK CLAMP BOLT
78	X1866078 CLAMP BLOCK
79	X1866079 LOCK NUT M20-2.5
80	X1866080 HANDLE GRIP 22ID X 120L X 3T RUBBER
81	X1866081 COMPRESSION SPRING 1.4 X 25.8 X 12

Headstock



SERVICE



Headstock Parts List

REF	PART #	DESCRIPTION
101	X1866101	BUTTON HD CAP SCR M5-.8 X 8
102	X1866102	INVERTER BOX COVER
103	X1866103	CAP SCREW M5-.8 X 12
104	X1866104	LOCK WASHER 5MM
105	X1866105	INVERTER DELTA VFD022E21A
106	X1866106	INVERTER HOUSING
107	X1866107	CAP SCREW M3-.5 X 5
108	X1866108	TACHOMETER POWER SUPPLY 5VDC
109	X1866109	FLAT WASHER 3MM
110	X1866110	GROMMET 15MM PLASTIC
111	X1866111	CABLE CLAMP 3/8"
112	X1866112	BUTTON HD CAP SCR M4-.7 X 25
113	X1866113	MAGNET 8 X 5MM
114	X1866114	TACHOMETER SENSOR
115	X1866115	TACHOMETER SENSOR BRACKET
116	X1866116	CONTROL PANEL PLATE
117	X1866117	BUTTON HD CAP SCR M5-.8 X 12
118	X1866118	TACHOMETER READOUT
119	X1866119	E-STOP BUTTON ABB MCB-10 22MM
120	X1866120	SET SCREW M4-.7 X 6
121	X1866121	SPEED CONTROL DIAL
122	X1866122	POTENTIOMETER TAYEE LA42DWQ 22MM
123	X1866123	BUTTON SWITCH ABB CP1-10L-10 22MM BLUE
124	X1866124	ROTARY SWITCH ABB C3SS1-10B-20 F-O-R 22MM
125	X1866125	INVERTER BOX BOTTOM
126	X1866126	STRAIN RELIEF TYPE-3 PG13.5
127	X1866127	POWER CORD 14G 3W 72" 6-20P
128	X1866128	MOTOR CORD 14G 4W 18"
129	X1866129	CONTROL PANEL CORD 9W 21G 18"
130	X1866130	TACHOMETER CORD 18G 2W 18"
131	X1866131	MOTOR 3HP 220V 3-PH
131-1	X1866131-1	MOTOR FAN COVER
131-2	X1866131-2	MOTOR JUNCTION BOX
131-3	X1866131-3	MOTOR FAN
131-4	X1866131-4	BALL BEARING 6205ZZ (FRONT)
131-5	X1866131-5	BALL BEARING 6205ZZ (BACK)
132	X1866132	ADJUSTABLE HANDLE M10-1.5 X 20 80L
133	X1866133	FLAT WASHER 10MM
134	X1866134	MOTOR MOUNT PLATE
135	X1866135	BALL KNOB M10-1.5, D30 PLASTIC
136	X1866136	MOTOR PULLEY
137	X1866137	LOCK NUT M4-.7

REF	PART #	DESCRIPTION
138	X1866138	FLAT HD CAP SCR M8-1.25 X 20
139	X1866139	KEY 6 X 6 X 50
140V2	X1866140V2	SPINDLE LOCK PIN M16-1.5 X 48
141	X1866141	FLAT HD CAP SCR M4-.7 X 12
142	X1866142	MAGNET 4 X 15 X 5
143	X1866143	LOCK NUT M4-.7
144	X1866144	HEADSTOCK CASTING
145	X1866145	SPINDLE HANDWHEEL
146	X1866146	SET SCREW M6-1 X 12
147	X1866147	DEGREE SCALE
148	X1866148	SPINDLE PULLEY
149	X1866149	KEY 10 X 10 X 25
150	X1866150	V-BELT 7M750
151	X1866151	SPANNER NUT M40-1.5 X 5
152	X1866152	TABBED WASHER 40MM
154	X1866154	BALL BEARING 6208-2RS
155	X1866155	BALL BEARING 6209-2RS
156	X1866156	SPACER
157	X1866157	SPINDLE MT#2
158	X1866158	POSITIONING PIN M6-1 X 12, 30L
159	X1866159	MOUNTING BLOCK
160	X1866160	TAPER PIN 6 X 20
161	X1866161	BUTTON HD CAP SCR M6-1 X 16
162	X1866162	CLAMP BOLT
163	X1866163	CLAMP BLOCK
164	X1866164	LOCK NUT M20-2.5
165	X1866165	HEADSTOCK LOCK LEVER 22 X 135
166	X1866166	HANDLE GRIP 22ID X 120L X 3T RUBBER
167	X1866167	LOCK NUT M5-.8
168	X1866168	FLAT WASHER 5MM
169	X1866169	HINGE
170	X1866170	FLAT HD CAP SCR M5-.8 X 16
171	X1866171	KNOB M8-1.25, 36OD X 26L
172	X1866172	BELT COVER
174	X1866174	SET SCREW M6-1 X 6
175	X1866175	SET SCREW M8-1.25 X 20 DOG-PT
176	X1866176	COMPRESSION SPRING 1.4 X 25.8 X 12
177	X1866177	HEX NUT M8-1.25
178	X1866178	FLAT WASHER 8MM
179	X1866179	FLAT WASHER 4MM
180	X1866180	SPANNER NUT M40-1.5 X 10

SERVICE

Labels & Cosmetics

201

203

204

NOTICE
To restart lathe after engaging Emergency Stop, turn spindle direction switch to middle position and reset Emergency Stop button.

205

206



202

SHOP FOX MODEL W1866 24" X 36" BOWL-TURNING LATHE

Specifications

Power Supply: 220V, 1-Ø, 50/60, 20A
Motor: 3 HP, 220V, 3-Ø, 8.5A
Full-Load Current Rating (NEMA): 15.5A
Spindle Speeds: 60-2300 RPM
Distance Between Centers: 30-31"
Swing Over Tool Rest Base: 24"
Spindle Taper: MT2
Tailstock Taper: MT2
Weight: 723 lbs.

WARNING!
To reduce risk of entanglement personal injury when using this machine: 1. Read and understand manual before starting. 2. Always wear safety glasses, face shield, and respirator. 3. Avoid getting entangled in rotating workpiece—tie back long hair, roll up long sleeves, and DO NOT wear loose clothing, gloves, or jewelry. 4. Properly set up lathe and tighten all locks before operating. 5. DO NOT turn split workpieces or those containing tools. 6. Hold lathe workpiece by hand to ensure clearance before applying power. 7. Rough out workpiece to remove excess material before mounting. 8. Use the lowest speed when starting a new workpiece. 9. Always support cutting tool on properly adjusted tool rest. 10. Disconnect power before setting up, adjusting, or servicing lathe. 11. DO NOT operate when tired or under influence of drugs/alcohol. 12. DO NOT operate in rain or operate in a wet environment. 13. Prevent unauthorized use by children or untrained users; restrict access or disable machine when unattended.

213

214

207
W1866

212

NOTICE
Pin must be pulled out before operating machine. Failure to do so can damage motor or machine components.

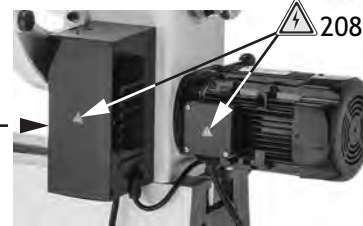
211

210



209

NOTICE
DO NOT adjust. Improper settings can cause damage, void warranty, or disable safety features.



REF	PART #	DESCRIPTION
201	X1866201	DISCONNECT/SPINDLE RANGE LABEL
202	X1866202	MACHINE ID LABEL
203	X1866203	ENTANGLEMENT LABEL
204	X1866204	RESTART LATHE NOTICE
205	X1866205	IMPACT WARNING LABEL
206	X1866206	SHOP FOX NAMEPLATE
207	X1866207	MODEL NUMBER LABEL

REF	PART #	DESCRIPTION
208	X1866208	ELECTRICITY LABEL
209	X1866209	DO NOT ADJUST VFD NOTICE
210	X1866210	EYE/FACE INJURY LABEL
211	X1866211	READ MANUAL LABEL
212	X1866212	SPINDLE PIN NOTICE
213	X1866213	TOUCH-UP PAINT, SHOP FOX BLACK
214	X1866214	TOUCH-UP PAINT, SHOP FOX WHITE

⚠️ WARNING

Safety labels warn about machine hazards and how to prevent serious personal injury. The owner of this machine **MUST** maintain the original location and readability of all labels on this machine. If any label is removed or becomes unreadable, **REPLACE** that label before allowing machine to be operated again. Contact us at (360) 734-3482 or www.woodstockint.com to order new labels.