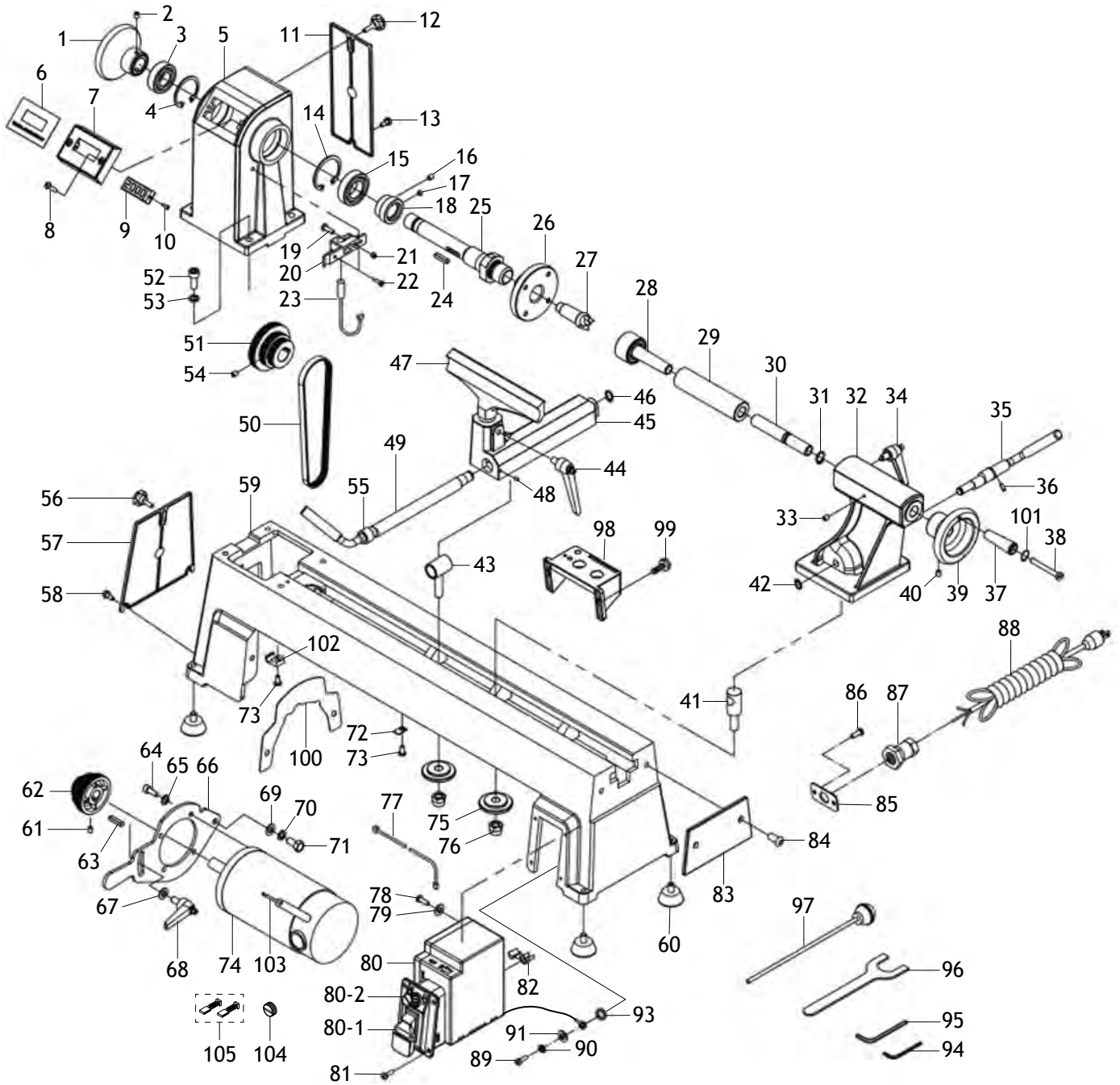


PARTS

Main

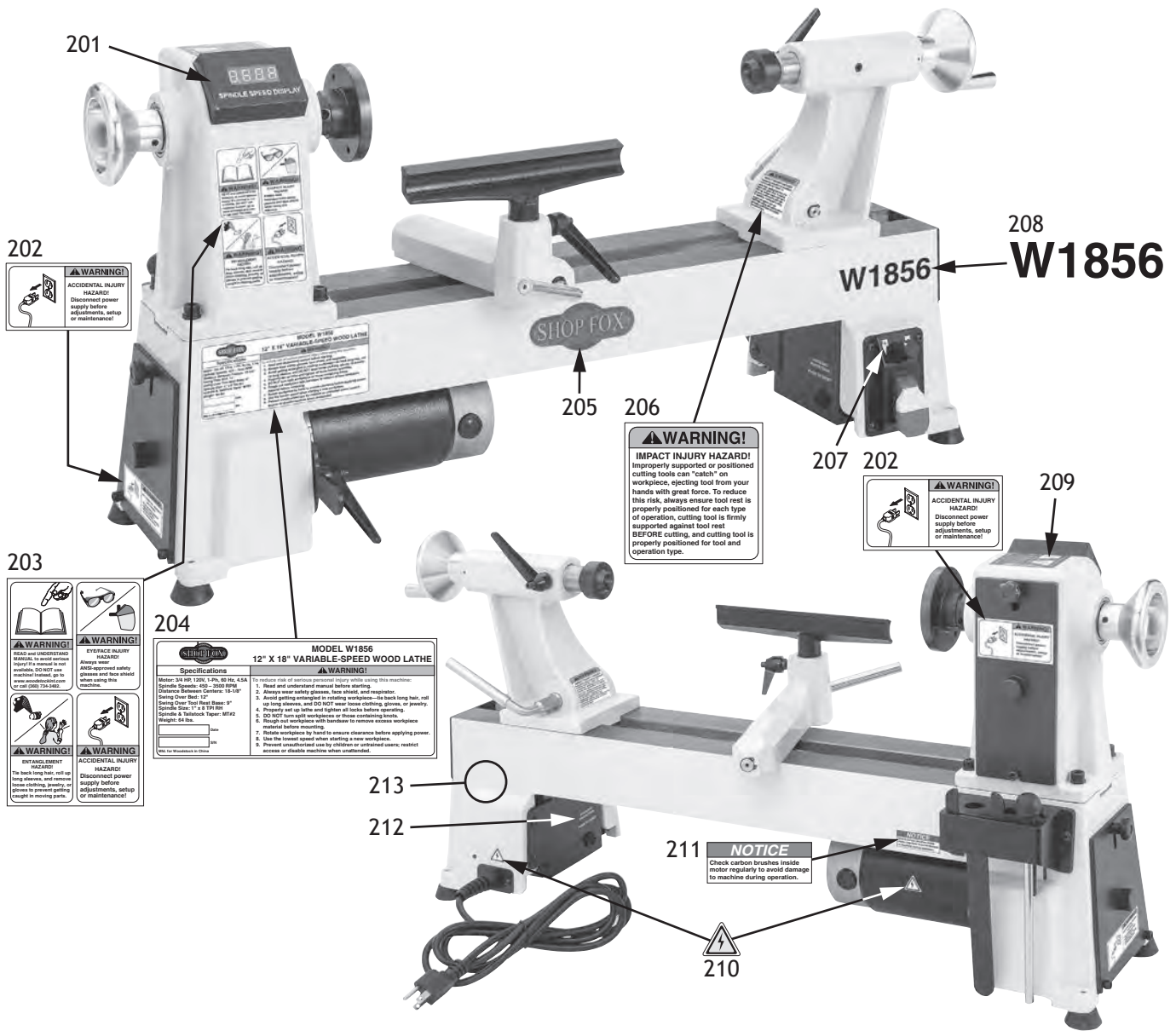


Main Parts List

REF PART #	DESCRIPTION
1	X1856001 HANDWHEEL TYPE-28 79D X 15B-S
2	X1856002 SET SCREW M6-1 X 8
3	X1856003 BALL BEARING 6004ZZ
4	X1856004 INT RETAINING RING 42MM
5	X1856005 HEADSTOCK
6	X1856006 DIGITAL TACHOMETER LABEL
7	X1856007 DIGITAL TACHOMETER MOUNTING BOX
8	X1856008 PHLP HD SCR M5-.8 X 20
9	X1856009 DIGITAL TACHOMETER DISPLAY
10	X1856010 TAP SCREW M3 X 10
11	X1856011 BACK COVER
12	X1856012 KNOB BOLT M6-1 X 15, 4-LOBE, 21D
13	X1856013 CAP SCREW M6-1 X 20
14	X1856014 INT RETAINING RING 47MM
15	X1856015 BALL BEARING 6005ZZ
16	X1856016 SET SCREW M6-1 X 8
17	X1856017 MAGNET
18	X1856018 MAGNET BUSHING
19	X1856019 CAP SCREW M4-.7 X 16
20	X1856020 SPEED SENSOR BRACKET
21	X1856021 HEX NUT M4-.7
22	X1856022 TAP SCREW M3.5 X 12
23	X1856023 SPEED SENSOR
24	X1856024 KEY 5 X 5 X 25
25	X1856025 SPINDLE MT#2
26	X1856026 FACEPLATE 3"
27	X1856027 SPUR CENTER MT#2
28	X1856028 LIVE CENTER MT#2
29	X1856029 TAILSTOCK QUILL
30	X1856030 LEADSCREW
31	X1856031 EXT RETAINING RING 14MM
32	X1856032 TAILSTOCK
33	X1856033 SET SCREW M8-1.25 X 10
34	X1856034 LOCK LEVER M8-1.25 X 10, 65L
35	X1856035 TAILSTOCK LOCK LEVER
36	X1856036 ROLL PIN 3 X 10
37	X1856037 HOLLOW HANDLE 17 X 49, 8D
38	X1856038 SHOULDER SCREW M6-1 X 7, 8 X 47
39	X1856039 HANDWHEEL TYPE-28 79D X 15B-S X M6-1
40	X1856040 SET SCREW M6-1 X 8
41	X1856041 TAILSTOCK CLAMP BOLT M10-1.5 X 28
42	X1856042 EXT RETAINING RING 9MM
43	X1856043 TOOL REST CLAMP BOLT M10-1.5 X 30
44	X1856044 TOOL POST LOCK LEVER
45	X1856045 TOOL REST BASE
46	X1856046 EXT RETAINING RING 12MM
47	X1856047 TOOL REST 7-3/4"W X 5/8" POST
48	X1856048 SET SCREW M4-.7 X 10
49	X1856049 TOOL POST LOCK LEVER
50	X1856050 POLY-V BELT 4V X 27L
51	X1856051 SPINDLE PULLEY
52	X1856052 CAP SCREW M8-1.25 X 25
53	X1856053 LOCK WASHER 8MM

REF PART #	DESCRIPTION
54	X1856054 SET SCREW M6-1 X 8
55	X1856055 BUSHING
56	X1856056 KNOB BOLT M6-1 X 15, 4-LOBE, 21D
57	X1856057 LEFT END COVER
58	X1856058 CAP SCREW M6-1 X 20
59	X1856059 BED
60	X1856060 RUBBER FOOT M8-1.25 X 12, 15 X 34
61	X1856061 SET SCREW M6-1 X 8
62	X1856062 MOTOR PULLEY
63	X1856063 KEY 5 X 5 X 25
64	X1856064 CAP SCREW M6-1 X 15
65	X1856065 LOCK WASHER 6MM
66	X1856066 MOTOR MOUNT PLATE
67	X1856067 FENDER WASHER 8MM
68	X1856068 LOCK LEVER M8-1.25 X 18, 65L
69	X1856069 FLAT WASHER 8MM
70	X1856070 LOCK WASHER 8MM
71	X1856071 HEX BOLT M8-1.25 X 20
72	X1856072 CORD CLAMP
73	X1856073 PHLP HD SCR M5-.8 X 10
74	X1856074 MOTOR 3/4 HP 120V 1-PH
75	X1856075 CLAMP BLOCK
76	X1856076 LOCK NUT M10-1.5
77	X1856077 DIGITAL TACHOMETER CORD 22G 2W 18"
78	X1856078 PHLP HD SCR M5-.8 X 10
79	X1856079 FLAT WASHER 5MM
80	X1856080 SWITCH BOX ASSEMBLY
80-1	X1856080-1 ON/OFF SWITCH KEDU HY18
80-2	X1856080-2 POTENTIOMETER B10K
81	X1856081 PHLP HD SCR M5-.8 X 10
82	X1856082 STRAIN RELIEF TYPE-1 5/16
83	X1856083 END STOP PLATE
84	X1856084 BUTTON HD CAP SCR M8-1.25 X 12
85	X1856085 CORD MOUNTING PLATE
86	X1856086 PHLP HD SCR M5-.8 X 10
87	X1856087 STRAIN RELIEF M16-2
88	X1856088 POWER CORD 18G 3W 72" 5-15P
89	X1856089 PHLP HD SCR M5-.8 X 10
90	X1856090 LOCK WASHER 5MM
91	X1856091 FLAT WASHER 5MM
93	X1856093 EXT TOOTH WASHER 5MM
94	X1856094 HEX WRENCH 3MM
95	X1856095 HEX WRENCH 5MM
96	X1856096 SPANNER WRENCH 32MM
97	X1856097 KNOCKOUT ROD
98	X1856098 TOOL HOLDER
99	X1856099 BUTTON HD CAP SCR M5-.8 X 12
100	X1856100 SEALING PLATE
101	X1856101 O-RING 7.5 X 1.8 KS-6
102	X1856102 CORD CLAMP
103	X1856103 MOTOR CORD 20G 2W 16"
104	X1856104 MOTOR CARBON BRUSH CAP
105	X1856105 MOTOR CARBON BRUSH 2-PC SET

Labels & Cosmetics



201	X1856201	SPINDLE TACHOMETER LABEL
202	X1856202	DISCONNECT POWER LABEL
203	X1856203	COMBINATION WARNING LABEL
204	X1856204	MACHINE ID LABEL
205	X1856205	SHOP FOX NAMEPLATE SMALL
206	X1856206	IMPACT INJURY WARNING LABEL
207	X1856207	VARIABLE SPINDLE SPEED LABEL

208	X1856208	MODEL NUMBER LABEL
209	X1856209	PULLEY SPEED LABEL
210	X1856210	ELECTRICITY WARNING LABEL
211	X1856211	CHECK BRUSHES NOTICE LABEL
212	X1856212	CIRCUIT BREAKER LABEL
213	X1856213	TOUCH-UP PAINT, SHOP FOX WHITE

⚠ WARNING

Safety labels warn about machine hazards and how to prevent serious personal injury. The owner of this machine **MUST** maintain the original location and readability of all labels on this machine. If any label is removed or becomes unreadable, **REPLACE** that label before allowing machine to be operated again. Contact us at (360) 734-3482 or www.woodstockint.com to order new labels.