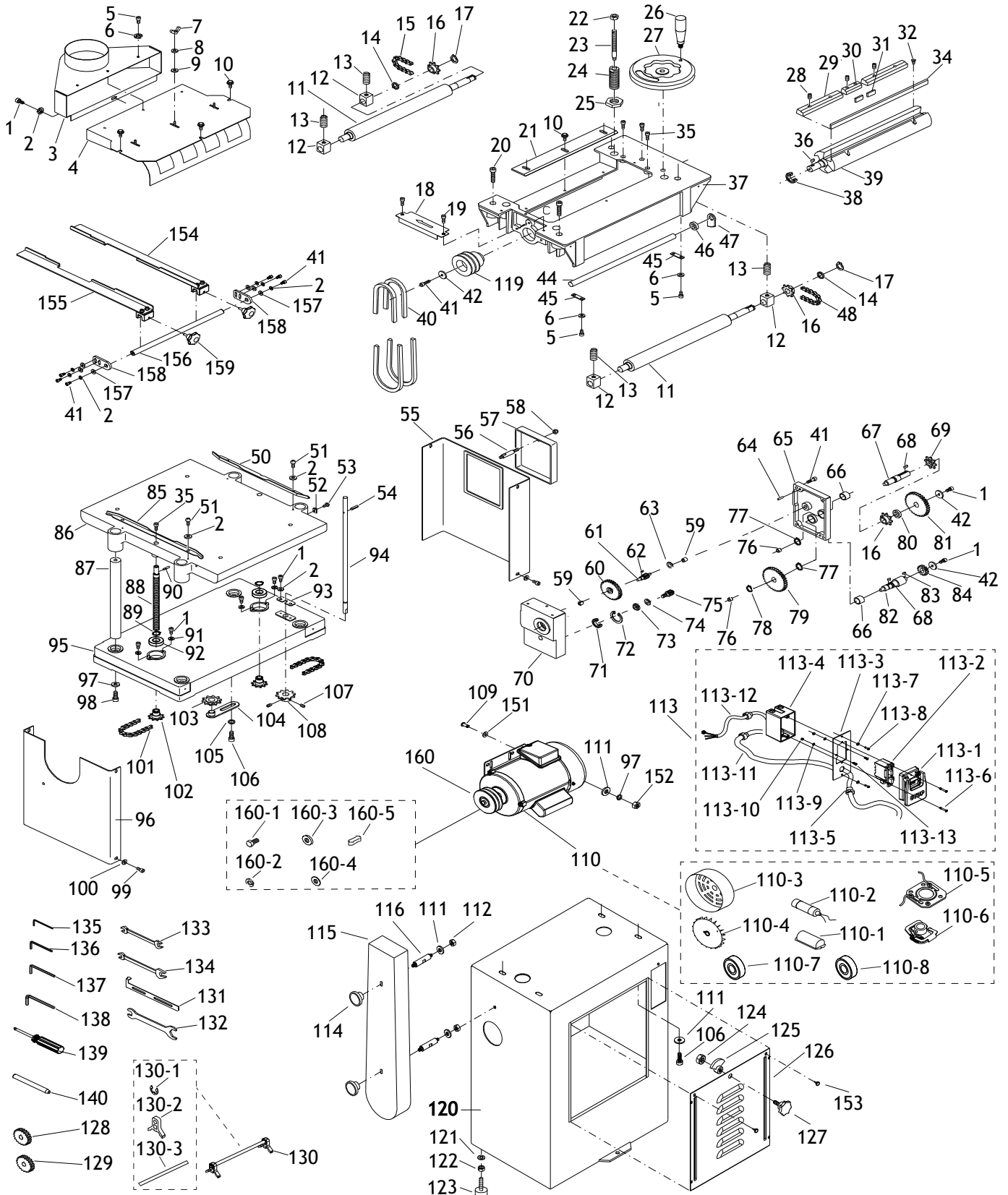


PARTS

Main



Main Parts List

REF	PART #	DESCRIPTION
1	X1842001	HEX BOLT M6-1 X 12
2	X1842002	LOCK WASHER 6MM
3	X1842003	DUST CHUTE 4"
4	X1842004	CHIP BREAKER
5	X1842005	CAP SCREW M5-.8 X 8
6	X1842006	LOCK WASHER 5MM
7	X1842007	WING NUT M4-.7
8	X1842008	LOCK WASHER 4MM
9	X1842009	FLAT WASHER 6MM
10	X1842010	FLANGE BOLT M6-1 X 12
11	X1842011	FEED ROLLER
12	X1842012	BUSHING
13	X1842013	COMPRESSION SPRING
14	X1842014	SPACER
15	X1842015	CHAIN
16	X1842016	SPROCKET
17	X1842017	EXT RETAINING RING 15MM
18	X1842018	COVER
19	X1842019	CAP SCREW M6-1 X 10
20	X1842020	CAP SCREW M8-1.25 X 30
21	X1842021	CHIP DEFLECTOR
22	X1842022	LOCK NUT M10-1.5
23	X1842023	ADJUSTMENT SHAFT
24	X1842024	ADJUSTABLE SHAFT
25	X1842025	LOCK NUT M22-1.5
26	X1842026	FIXED HANDLE M10-1.5 X 12, 24 X 90
27	X1842027	HANDWHEEL TYPE-29 150D, 10B, M10-1.5
28	X1842028	SET SCREW M8-1.25 X 12
29	X1842029	LONG GIB
30	X1842030	SHORT GIB
31	X1842031	SPACING BLOCK
32	X1842032	HEX BOLT M5-.8 X 12
34	X1842034	13" HSS KNIFE (3PCS)
35	X1842035	CAP SCREW M6-1 X 16
36	X1842036	MACHINE KEY 5 X 5 X 15
37	X1842037	UPPER FRAME
38	X1842038	BALL BEARING 6204-2RS
39	X1842039	CUTTERHEAD 2-5/8", 3-KNIFE
40	X1842040	V-BELT M48
41	X1842041	CAP SCREW M6-1 X 20
42	X1842042	FLAT WASHER 6MM
44	X1842043	ANTI-KICKBACK PAWL SHAFT
45	X1842044	FIXING PLATE
46	X1842045	SPACER
47	X1842046	ANTI-KICKBACK PAWL
48	X1842047	CHAIN
50	X1842050	FENCE (RIGHT)
51	X1842051	PHLP HD SCR M6-1 X 10
52	X1842052	POINTER
53	X1842053	PHLP HD SCR M4-.7 X 8
54	X1842054	ROLL PIN 3 X 20
55	X1842055	COVER (RIGHT)
56	X1842056	SHAFT
57	X1842057	GEAR COVER
58	X1842058	ACORN NUT M6-1
59	X1842059	BUSHING

REF	PART #	DESCRIPTION
60	X1842060	GEAR
61	X1842061	WORM GEAR
62	X1842062	MACHINE KEY 3 X 3 X 8
63	X1842063	FLAT WASHER 6MM
64	X1842064	PLACEMENT PIN
65	X1842065	GEARBOX COVER
66	X1842066	BUSHING
67	X1842067	CHAIN SPROCKET SHAFT
68	X1842068	MACHINE KEY 4 X 4 X 8
69	X1842069	SPROCKET
70	X1842070	GEARBOX
71	X1842071	BALL BEARING 6202-2RS
72	X1842072	INT RETAINING RING 35MM
73	X1842073	BUSHING
74	X1842074	FLAT WASHER 10MM
75	X1842075	WORM GEAR
76	X1842076	BUSHING
77	X1842077	EXT RETAINING RING 16MM
78	X1842078	EXT RETAINING RING 14MM
79	X1842079	GEAR
80	X1842080	SPACER
81	X1842081	GEAR, 57T
82	X1842082	SHAFT
83	X1842083	MACHINE KEY 4 X 4 X 8
84	X1842084	GEAR, 20T
85	X1842085	FENCE (LEFT)
86	X1842086	MIDDLE FRAME
87	X1842087	POST
88	X1842088	ELEVATIONLEAD SCREW
89	X1842089	EXT RETAINING RING 20MM
90	X1842090	ROLL PIN 3 X 14
91	X1842091	FLAT WASHER 6MM
92	X1842092	BALL BEARING 6004-2RS
93	X1842093	FIXING PLATE
94	X1842094	SHAFT
95	X1842095	BASE
96	X1842096	COVER (LEFT)
97	X1842097	LOCK WASHER 8MM
98	X1842098	CAP SCREW M8-1.25 X 25
99	X1842099	CAP SCREW M6-1 X 8
100	X1842100	FLAT WASHER 6MM
101	X1842101	CHAIN
102	X1842102	SPROCKET
103	X1842103	SPROCKET
104	X1842104	IDLER BRACKET
105	X1842105	FLAT WASHER 8MM
106	X1842106	CAP SCREW M8-1.25 X 20
107	X1842107	SET SCREW M6-1 X 6
108	X1842108	SPROCKET
109	X1842109	HEX BOLT M8-1.25 X 20
110	X1842110	MOTOR 1.5 HP 110V/220V 1-PH
110-1	X1842110-1	CAPACITOR COVER
110-2	X1842110-2	S CAPACITOR 300UF 125V 3.5" X 1.6"
110-3	X1842110-3	MOTOR FAN COVER
110-4	X1842110-4	MOTOR FAN

Main Parts List (Ctd.)

REF	PART #	DESCRIPTION
110-5	X1842110-5	CONTACT POINTS
110-6	X1842110-6	CENTRIFUGAL SWITCH
110-7	X1842110-7	BALL BEARING 6203-2RS
110-8	X1842110-8	BALL BEARING 6205-2RS
111	X1842111	FLAT WASHER 5/16
112	X1842112	HEX NUT 5/16-18
113	X1842113	ON/OFF SWITCH ASSEMBLY
113-1	X1842113-1	SWITCH COVER
113-2	X1842113-2	ON/OFF SWITCH KEDU HY56 120/230V
113-3	X1842113-3	COVER PLATE, METAL
113-4	X1842113-4	SWITCH BOX
113-5	X1842113-5	STRAIN RELIEF 5/8" TYPE-1
113-6	X1842113-6	PHLP HD SCR M4-.7 X 25
113-7	X1842113-7	FLAT WASHER 5MM
113-8	X1842113-8	PHLP HD SCR M4-.7 X 15
113-9	X1842113-9	EXT TOOTH WASHER 6
113-10	X1842113-10	HEX NUT M4-.7
113-11	X1842113-11	POWER CORD 3W, 14G, 72", 5-15 P
113-12	X1842113-12	MOTOR CORD 3W, 14G, 24"
113-13	X1842113-13	PHLP HD SCR M4-.7 X 8MM
114	X1842114	KNOB 5/16-18, 44MM
115	X1842115	BELT COVER
116	X1842116	STANDOFF ROUND MM 5/16-18 X 3
119	X1842119	CUTTERHEAD PULLEY
120	X1842120	STAND ASSEMBLY
121	X1842121	FLAT WASHER 10MM
122	X1842122	HEX NUT 3/8-16
123	X1842123	ADJUSTABLE FOOT 3/8-16 X 54
124	X1842124	HEX NUT 3/8"-16
125	X1842125	COVER LATCH
126	X1842126	SIDE COVER
127	X1842127	KNOB BOLT 6-LOBE 3/8"-16

REF	PART #	DESCRIPTION
128	X1842128	GEAR 46T
129	X1842129	GEAR 36T
130	X1842130	KNIFE-SETTING JIG ASSY
130-1	X1842009-1	E-CLIP 9MM
130-2	X1842009-2	KNIFE-SETTING JIG FOOT
130-3	X1842009-3	KNIFE-SETTING JIG SHAFT
131	X1842131	MOULDING KNIFE-SETTING JIG
132	X1842132	SPANNER WRENCH 17 X 33 OPEN-ENDS
133	X1842133	WRENCH 10 X 12 OPEN-ENDS
134	X1842134	WRENCH 11 X 13 OPEN-ENDS
135	X1842135	HEX WRENCH 3MM
136	X1842136	HEX WRENCH 4MM
137	X1842137	HEX WRENCH 5MM
138	X1842138	HEX WRENCH 6MM
139	X1842139	PHILLIPS SCREWDRIVER #1
140	X1842140	BRASS PIN
151	X1842151	FLAT WASHER 8MM
152	X1842152	HEX NUT M8-1.25
153	X1842153	RUBBER CAP
154	X1842154	MOULDING FENCE (RIGHT)
155	X1842155	MOULDING FENCE (LEFT)
156	X1842156	SHAFT
157	X1842157	FLAT WASHER 6MM
158	X1842158	BRACKET
159	X1842159	KNOB BOLT, 7-LOBE, M6-1 X 20, D46
160	X1842160	MOTOR PULLEY
160-1	X1842160-1	HEX BOLT M8-1.25 X 25
160-2	X1842160-2	LOCK WASHER 8MM
160-3	X1842160-3	PULLEY WASHER 8 X 30 X 4MM
160-4	X1842160-4	FLAT WASHER 22.5 X 29 X 1MM
160-5	X1842160-5	KEY 5 X 5 X 30

Labels & Cosmetics



REF	PART #	DESCRIPTION
201	X1842201	READ MANUAL LABEL
202	X1842202	WARNING LABEL
203	X1842203	EYES-LUNG-HEARING LABEL
204	X1842204	DISCONNECT POWER LABEL
205	X1842205	MACHINE ID LABEL
206	X1842206	ELECTRICITY LABEL

REF	PART #	DESCRIPTION
207	X1842207	W1842 MODEL NUMBER LABEL
208	X1842208	SHOP FOX NAMEPLATE 3.25 X 8.125
209	X1842209	TOUCH-UP PAINT, SHOP FOX WHITE
210	X1842210	BLACK STRIPE (LOWER)
211	X1842211	BLACK STRIPE (UPPER)

WARNING

Safety labels warn about machine hazards and how to prevent serious personal injury. The owner of this machine **MUST** maintain the original location and readability of all labels on this machine. If any label is removed or becomes unreadable, **REPLACE** that label before allowing machine to be operated again. Contact us at (360) 734-3482 or www.woodstockint.com to order new labels.