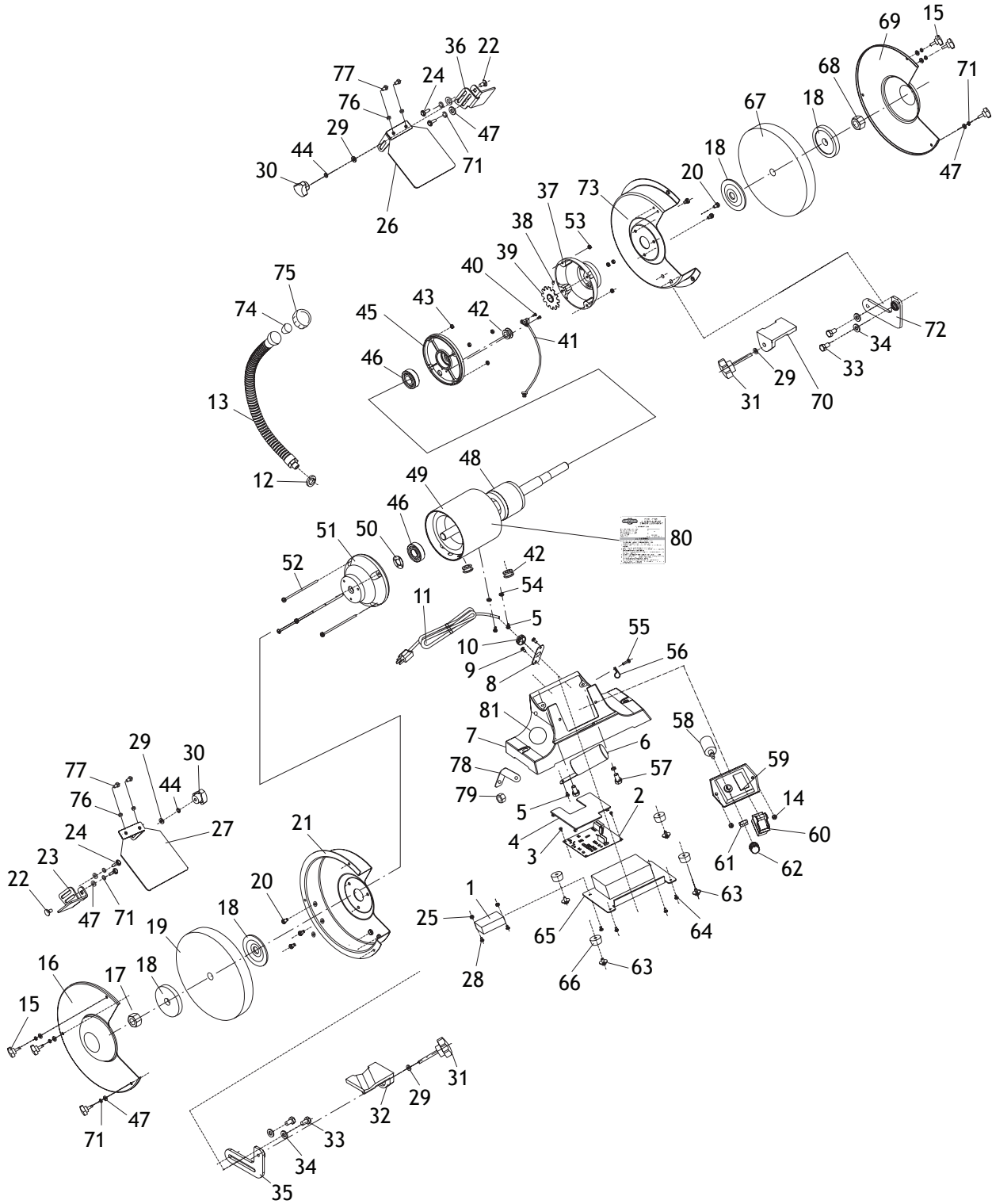


PARTS

W1839 Main Breakdown

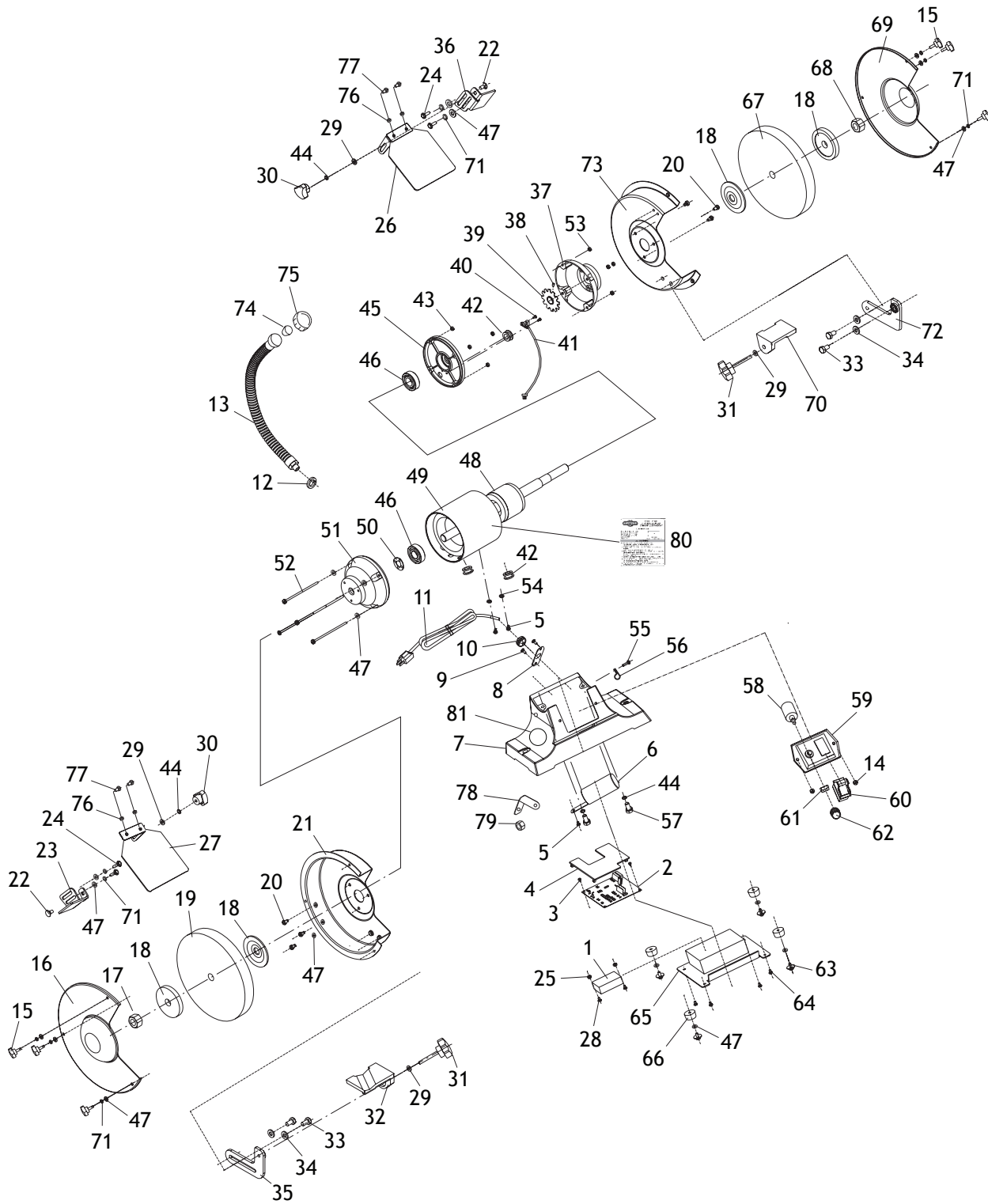


W1839 Parts List

REF	PART #	DESCRIPTION
1	X1839001	LAMP CIRCUIT BOARD
2	X1839002	CIRCUIT BOARD E123995
3	X1839003	TAP SCREW M3 X 5
4	X1839004	CIRCUIT BOARD COVER
5	X1839005	PHLP HD SCR M4-.7 X 8 W/CAPTIVE WASHER
6	X1839006	R CAPACITOR 30M 300V 1-3/8 X 3
7	X1839007	BASE
8	X1839008	STRAIN RELIEF MOUNTING PLATE
9	X1839009	PHLP HD SCR M5-.8 X 10
10	X1839010	STRAIN RELIEF TYPE-1 10MM
11	X1839011	POWER CORD 14G 3W 72" 5-15P
12	X1839012	FLAT WASHER 12MM
13	X1839013	LED LIGHT
14	X1839014	PHLP HD SCR M5-.8 X 8
15	X1839015	KNOB BOLT M5-.8 X 10 3-LOBE
16	X1839016	OUTER WHEEL COVER (L)
17	X1839017	HEX NUT M12-1.75 LH
18	X1839018	WHEEL FLANGE
19	X1839019	GRINDING WHEEL 6 X 1/2 X 3/4 AO60
20	X1839020	PHLP HD SCR M5-.8 X 10 W/CAPTIVE WASHER
21	X1839021	INNER WHEEL COVER (L)
22	X1839022	CARRIAGE BOLT M6-1 X 12
23	X1839023	SPARK DEFLECTOR (L)
24	X1839024	PHLP HD SCR M5-.8 X 10 W/CAPTIVE WASHER
25	X1839025	HEX NUT M4-.7
26	X1839026	EYESHIELD (R)
27	X1839027	EYESHIELD (L)
28	X1839028	PHLP HD SCR M4-.7 X 8
29	X1839029	FLAT WASHER 6MM
30	X1839030	KNOB M6-1
31	X1839031	KNOB BOLT M6-1 X 14 3-LOBE
32	X1839032	TOOL REST (L)
33	X1839033	HEX BOLT M8-1.25 X 12
34	X1839034	FLAT WASHER 8MM
35	X1839035	SUPPORT BRACKET (L)
36	X1839036	SPARK DEFLECTOR (R)
37	X1839037	MOTOR COVER (R)
38	X1839038	SET SCREW M5-.8 X 6
39	X1839039	FEEDBACK WHEEL
40	X1839040	PHLP HD SCR M2.5-.45 X 6
41	X1839041	RPM SENSOR

REF	PART #	DESCRIPTION
42	X1839042	GROMMET
43	X1839043	HEX NUT M4-.7
44	X1839044	LOCK WASHER 6MM
45	X1839045	INNER MOTOR COVER
46	X1839046	BALL BEARING 6202ZZ
47	X1839047	FLAT WASHER 5MM
48	X1839048	ROTOR
49	X1839049	STATOR
50	X1839050	WAVY WASHER 12MM
51	X1839051	MOTOR COVER (L)
52	X1839052	PHLP HD SCR M4-.7 X 145 W/CAPTIVE WASHER
53	X1839053	FLANGE NUT M4-.7
54	X1839054	EXT TOOTH WASHER 4MM
55	X1839055	PHLP HD SCR M4-.7 X 16
56	X1839056	WIRE CLIP PLASTIC
57	X1839057	PHLP HD SCR M6-1 X 18 W/CAPTIVE WASHER
58	X1839058	POTENTIOMETER B103
59	X1839059	SWITCH MOUNTING PLATE
60	X1839060	TOGGLE SWITCH KEDU HY7
61	X1839061	SPEED KNOB SPACER
62	X1839062	SPEED ADJ KNOB
63	X1839063	PHLP HD SCR M5-.8 X 16 W/CAPTIVE WASHER
64	X1839064	PHLP HD SCR M4-.7 X 8 W/CAPTIVE WASHER
65	X1839065	BASE PLATE
66	X1839066	RUBBER FOOT
67	X1839067	GRINDING WHEEL 6 X 1/2 X 3/4 AO36
68	X1839068	HEX NUT M12-1.75
69	X1839069	OUTER WHEEL COVER (R)
70	X1839070	TOOL REST (RIGHT)
71	X1839071	LOCK WASHER 5MM
72	X1839072	SUPPORT BRACKET (R)
73	X1839073	INNER WHEEL COVER (R)
74	X1839074	LED LENS
75	X1839075	LED COVER
76	X1839076	FLANGE NUT M4-.7
77	X1839077	PHLP HD SCR M4-.7 X 10
78	X1839078	L-BRACKET METAL
79	X1839079	HEX NUT M8-1.25
80	X1839080	MACHINE ID LABEL
81	X1839081	TOUCH-UP PAINT, SHOP FOX WHITE

W1840 Main Breakdown



W1840 Parts List

REF	PART #	DESCRIPTION
1	X1840001	LAMP CIRCUIT BOARD
2	X1840002	CIRCUIT BOARD E123995
3	X1840003	TAP SCREW M3 X 5
4	X1840004	CIRCUIT BOARD COVER
5	X1840005	PHLP HD SCR M4-.7 X 8
6	X1840006	R CAPACITOR 45M 250V 1-3/8 X 3
7	X1840007	BASE
8	X1840008	STRAIN RELIEF MOUNTING PLATE
9	X1840009	PHLP HD SCR M5-.8 X 10
10	X1840010	STRAIN RELIEF TYPE-1 10MM
11	X1840011	POWER CORD 14G 3W 72" 5-15P
12	X1840012	FLAT WASHER 12MM
13	X1840013	LED LIGHT
14	X1840014	PHLP HD SCR M5-.8 X 8
15	X1840015	KNOB M5-.8 X 10 3-LOBE
16	X1840016	OUTER WHEEL COVER (L)
17	X1840017	HEX NUT M12-1.75
18	X1840018	WHEEL FLANGE
19	X1840019	GRINDING WHEEL 8 X 1/2 X 3/4 AO60
20	X1840020	PHLP HD SCR M5-.8 X 10
21	X1840021	INNER WHEEL COVER (L)
22	X1840022	HEX BOLT M6-1 X 12
23	X1840023	SPARK DEFLECTOR (L)
24	X1840024	HEX BOLT M5-.8 X 10
25	X1840025	HEX NUT M4-.7
26	X1840026	EYESHIELD (R)
27	X1840027	EYESHIELD (L)
28	X1840028	PHLP HD SCR M4-.7 X 8
29	X1840029	FLAT WASHER 6MM
30	X1840030	KNOB M6-1
31	X1840031	KNOB BOLT M6-1 X 14 3-LOBE
32	X1840032	TOOL REST (L)
33	X1840033	HEX BOLT M8-1.25 X 12
34	X1840034	FLAT WASHER 8MM
35	X1840035	SUPPORT BRACKET (L)
36	X1840036	SPARK GUARD (R)
37	X1840037	MOTOR COVER (R)
38	X1840038	SET SCREW M5-.8 X 6
39	X1840039	FEEDBACK WHEEL
40	X1840040	PHLP HD SCR M2.5-.45 X 6
41	X1840041	RPM SENSOR

REF	PART #	DESCRIPTION
42	X1840042	GROMMET
43	X1840043	FLANGE NUT M5-.8
44	X1840044	LOCK WASHER 6MM
45	X1840045	INNER MOTOR COVER (R)
46	X1840046	BALL BEARING 6203ZZ
47	X1840047	FLAT WASHER 5MM
48	X1840048	ROTOR
49	X1840049	STATOR
50	X1840050	WAVY WASHER 12MM
51	X1840051	MOTOR COVER (L)
52	X1840052	PHLP HD SCR M5-.8 X 160
53	X1840053	HEX NUT M5-.8
54	X1840054	EXT TOOTH WASHER 4MM
55	X1840055	PHLP HD SCR M4-.7 X 16
56	X1840056	WIRE CLIP PLASTIC
57	X1840057	HEX BOLT M6-1 X 18
58	X1840058	POTENTIOMETER B103
59	X1840059	SWITCH MOUNTING PLATE
60	X1840060	TOGGLE SWITCH KEDU HY7
61	X1840061	SPEED KNOB SPACER
62	X1840062	SPEED ADJ KNOB
63	X1840063	PHLP HD SCR M5-.8 X 16
64	X1840064	PHLP HD SCR M4-.7 X 8
65	X1840065	BASE PLATE
66	X1840066	RUBBER FOOT
67	X1840067	GRINDING WHEEL 8 X 1/2 X 3/4 AO36
68	X1840068	HEX NUT M12-1.75
69	X1840069	OUTER WHEEL COVER (R)
70	X1840070	TOOL REST (R)
71	X1840071	LOCK WASHER 5MM
72	X1840072	SUPPORT BRACKET (R)
73	X1840073	INNER WHEEL COVER (R)
74	X1840074	LED LENS
75	X1840075	LED COVER
76	X1840076	FLANGE NUT M4-.7
77	X1840077	PHLP HD SCR M4-.7 X 10
78	X1840078	L-BRACKET METAL
79	X1840079	HEX NUT M8-1.25
80	X1840080	MACHINE ID LABEL
81	X1840081	TOUCH-UP PAINT, SHOP FOX WHITE