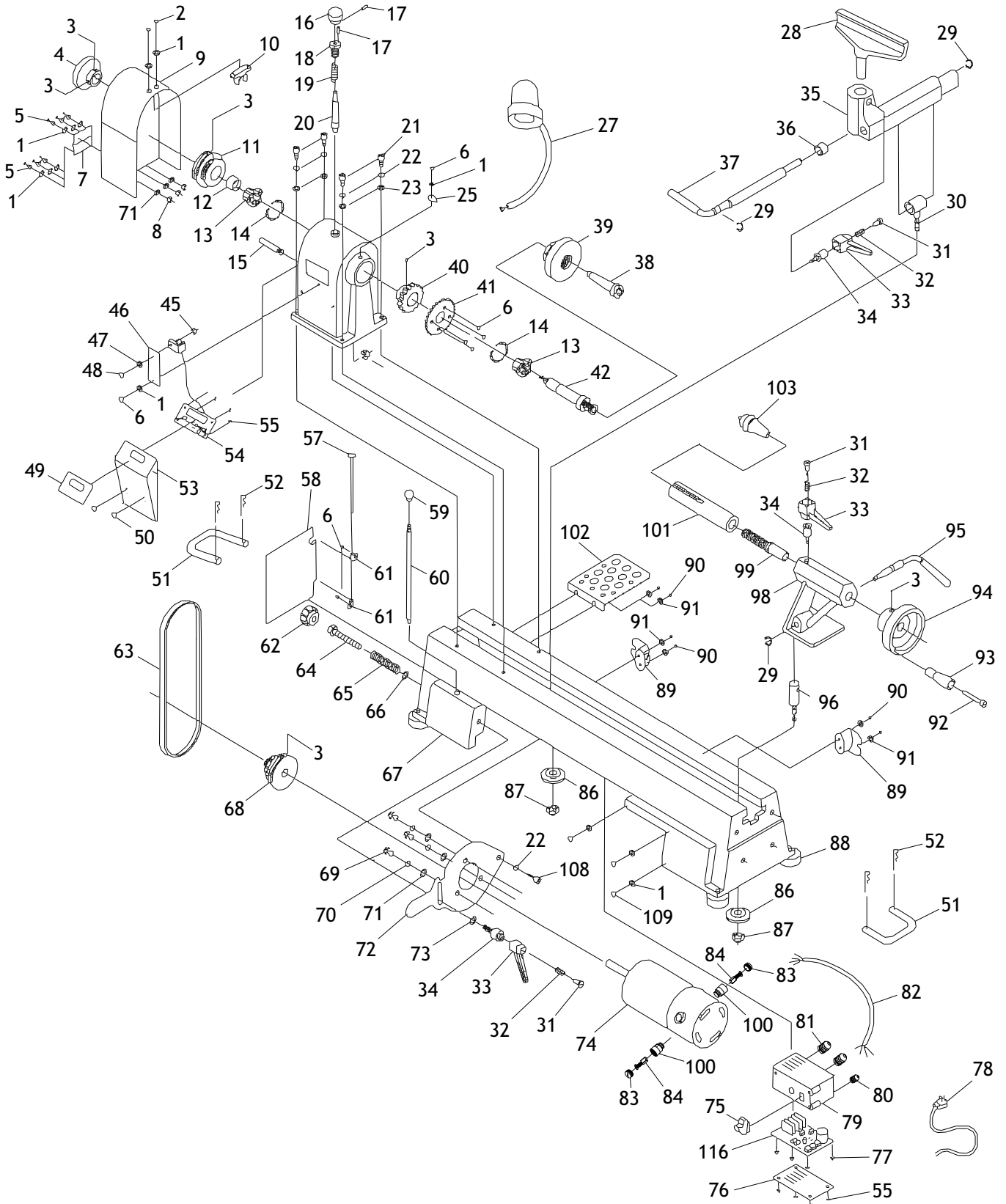


PARTS

Main



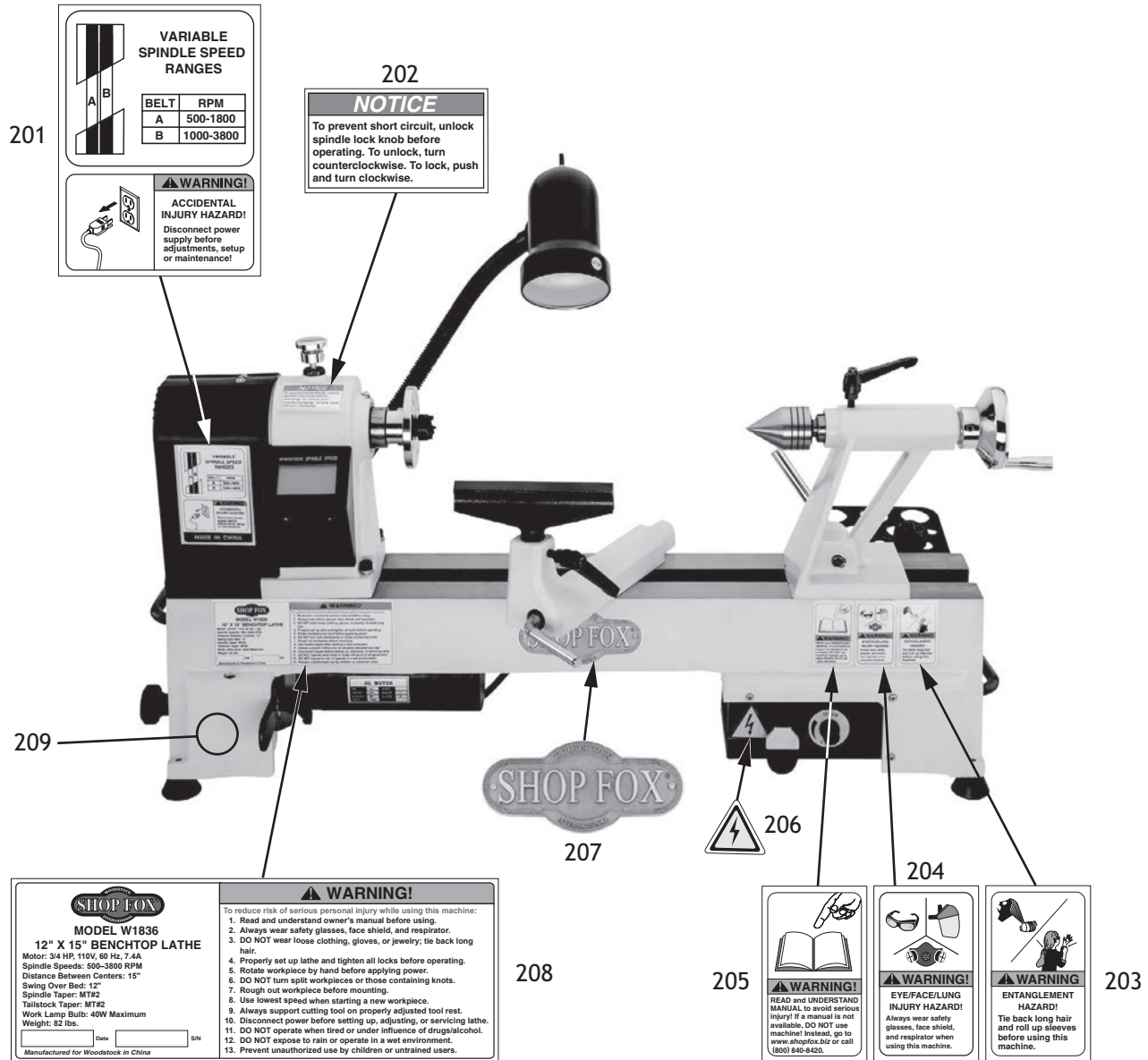
Main Parts List

REF PART #	DESCRIPTION	REF PART #	DESCRIPTION		
1	X1836001	FLAT WASHER 4MM	55	X1836055	TAP SCREW M3 X 8
2	X1836002	PHLP HD SCR M4-.7 X 8	57	X1836057	HINGE PIN
3	X1836003	SET SCREW M6-1 X 12	58	X1836058	ACCESS DOOR
4	X1836004	HANDWHEEL 59MM, HOLE: M20-1.5 LH	59	X1836059	ROUND KNOB M8-1.25
5	X1836005	PHLP HD SCR M4-.7 X 10	60	X1836060	KNOCKOUT BAR M8-1.25 X 10, 270L
6	X1836006	PHLP HD SCR M4-.7 X 6	61	X1836061	HINGE
7	X1836007	BELT COVER HINGE	62	X1836062	ACCESS DOOR RELEASE KNOB
8	X1836008	HEX NUT M4-.7	63	X1836063	V-BELT 270J3
9	X1836009	BELT COVER	64	X1836064	HEX BOLT M8-1.25 X 90
10	X1836010	BELT COVER CLIP	65	X1836065	COMPRESSION SPRING 1 X 14 X 85
11	X1836011	SPINDLE PULLEY	66	X1836066	LOCK NUT M8-1.25
12	X1836012	SPACER	67	X1836067	LATHE BODY
13	X1836013	BALL BEARING 6005ZZ	68	X1836068	MOTOR PULLEY
14	X1836014	INT RETAINING RING 47MM	69	X1836069	CAP SCREW M6-1 X 16
15	X1836015	SHAFT M8-1.25 X 8, 45L	70	X1836070	LOCK WASHER 6MM
16	X1836016	SPINDLE LOCK KNOB	71	X1836071	FLAT WASHER 6MM
17	X1836017	ROLL PIN 3 X 12	72	X1836072	MOTOR MOUNT PLATE
18	X1836018	INDEX PIN SLEEVE M16-1.5 X 20	73	X1836073	FENDER WASHER 8MM
19	X1836019	COMPRESSION SPRING	74	X1836074	MOTOR 3/4 HP 110V 1-PH
20	X1836020	INDEX PIN	75	X1836075	SHOP FOX PADDLE SWITCH 110V
21	X1836021	CAP SCREW M8-1.25 X 30	76	X1836076	SWITCH BOX COVER
22	X1836022	LOCK WASHER 8MM	77	X1836077	TAP SCREW M3 X 10
23	X1836023	FLAT WASHER 8MM	78	X1836078	POWER CORD 18G 3W 72" 5-15P
25	X1836025	POINTER	79	X1836079	SWITCH BOX
27	X1836027	WORK LIGHT	80	X1836080	STRAIN RELIEF PG7 TYPE-3
28	X1836028	TOOL REST 148L (POST 16 X 75)	81	X1836081	STRAIN RELIEF PG9 TYPE-3
29	X1836029	EXT RETAINING RING 10MM	82	X1836082	MOTOR CORD 18G 3W 16"
30	X1836030	TOOL REST CAM FOLLOWER M10-1.25 X 30	83	X1836083	CARBON BRUSH COVER
31	X1836031	SHOULDER SCREW M5-.8 X 6, 6 X 8	84	X1836084	CARBON BRUSH 2-PC SET
32	X1836032	COMPRESSION SPRING	86	X1836086	LOCK PLATE
33	X1836033	ADJUSTABLE HANDLE	87	X1836087	LOCK NUT M10-1.5
34	X1836034	LOCK BOLT M8-1.25 X 18, INT THREAD M5-.8	88	X1836088	RUBBER FOOT
35	X1836035	TOOL REST BASE	89	X1836089	CORD WRAP MOUNT
36	X1836036	BUSHING	90	X1836090	PHLP HD SCR M5-.8 X 12
37	X1836037	TOOL REST LOCK LEVER	91	X1836091	FLAT WASHER 5MM
38	X1836038	SPUR CENTER MT#2	92	X1836092	SHOULDER SCREW M6-1 X 10, 7 X 44
39	X1836039	FACEPLATE 80MM, HOLE: M25-3	93	X1836093	HANDWHEEL HANDLE 50MM
40	X1836040	GEAR 24T	94	X1836094	HANDWHEEL 82MM, HOLE: 15MM
41	X1836041	GEAR COVER PLATE	95	X1836095	TAILSTOCK LOCK LEVER
42	X1836042	SPINDLE	96	X1836096	TAILSTOCK CAM FOLLOWER M8-1.25 X 30
45	X1836045	HEX NUT M3-.5	98	X1836098	TAILSTOCK
46	X1836046	RPM SENSOR MOUNTING PLATE	99	X1836099	TAILSTOCK LEADSCREW
47	X1836047	FLAT WASHER 3MM	100	X1836100	CARBON BRUSH HOLDER
48	X1836048	PHLP HD SCR M3-.5 X 12	101	X1836101	QUILL
49	X1836049	DIGITAL READOUT LABEL	102	X1836102	TOOL RACK
50	X1836050	PHLP HD SCR M4-.7 X 12	103	X1836103	LIVE CENTER MT#2
51	X1836051	LATHE CARRYING HANDLE	108	X1836108	CAP SCREW M8-1.25 X 16
52	X1836052	COTTER PIN 3/8-1/2 X 1-5/8 HAIRPIN	109	X1836109	PHLP HD SCR M4-.7 X 20
53	X1836053	DIGITAL READOUT COVER	116	X1836116	CIRCUIT BOARD DZ-236A1
54	X1836054	DIGITAL READOUT WP0011A-01			

Labels & Cosmetics

⚠️ WARNING

Safety labels warn about machine hazards and how to prevent serious personal injury. The owner of this machine **MUST** maintain the original location and readability of all labels on this machine. If any label is removed or becomes unreadable, **REPLACE** that label before allowing machine to be operated again. Contact us at (360) 734-3482 or www.shopfoxtools.com to order new labels.



REF PART #	DESCRIPTION
201	X1836201 SPINDLE SPEED / DISCONNECT POWER LABEL
202	X1836202 UNLOCK SPINDLE NOTICE LABEL
203	X1836203 ENTANGLEMENT HAZARD LABEL
204	X1836204 EYE / FACE / LUNG INJURY LABEL
205	X1836205 READ MANUAL LABEL

REF PART #	DESCRIPTION
206	X1836206 ELECTRICITY LABEL
207	X1836207 SHOP FOX NAMEPLATE
208	X1836208 MACHINE ID LABEL
209	X1836209 SHOP FOX WHITE TOUCH-UP PAINT

PARTS