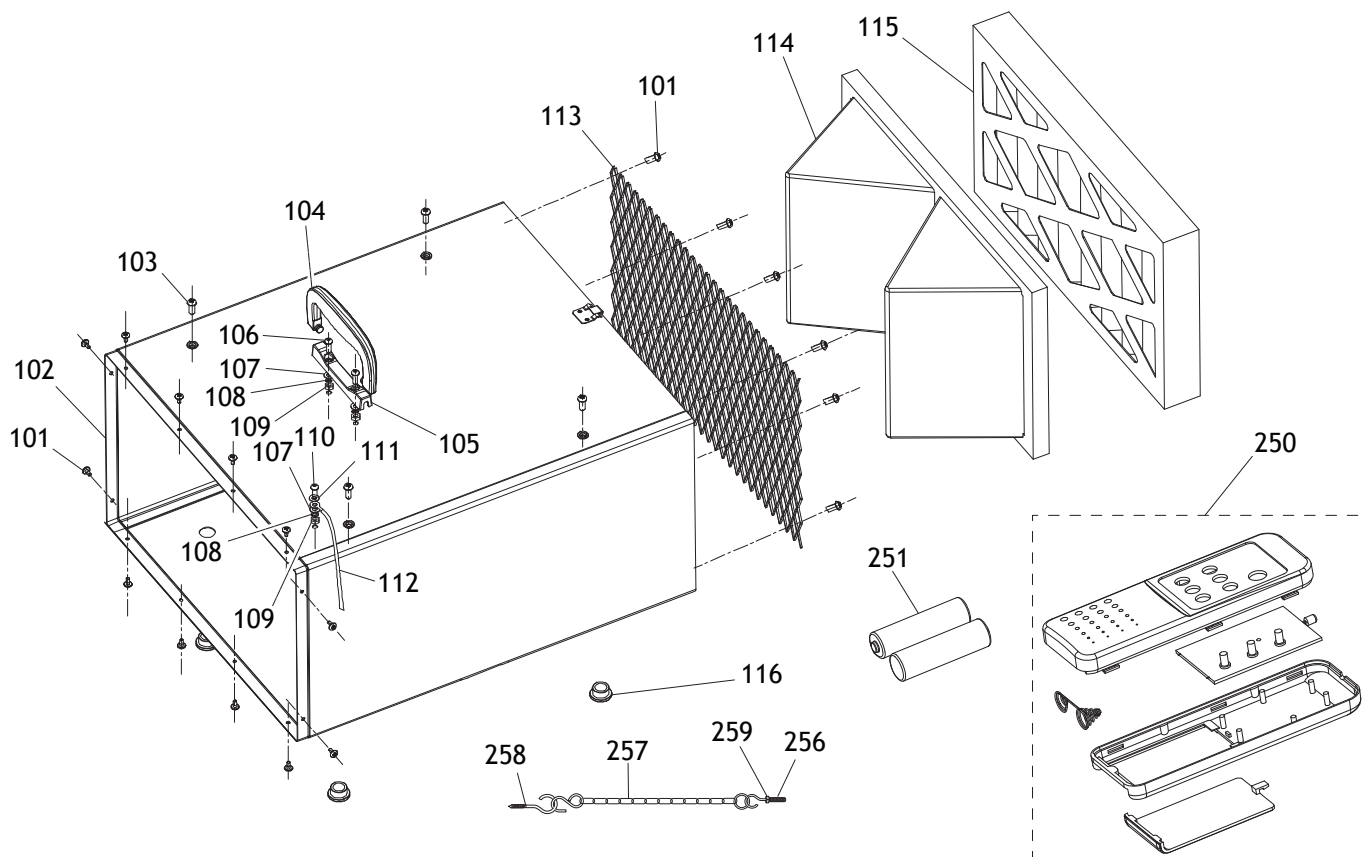


# PARTS

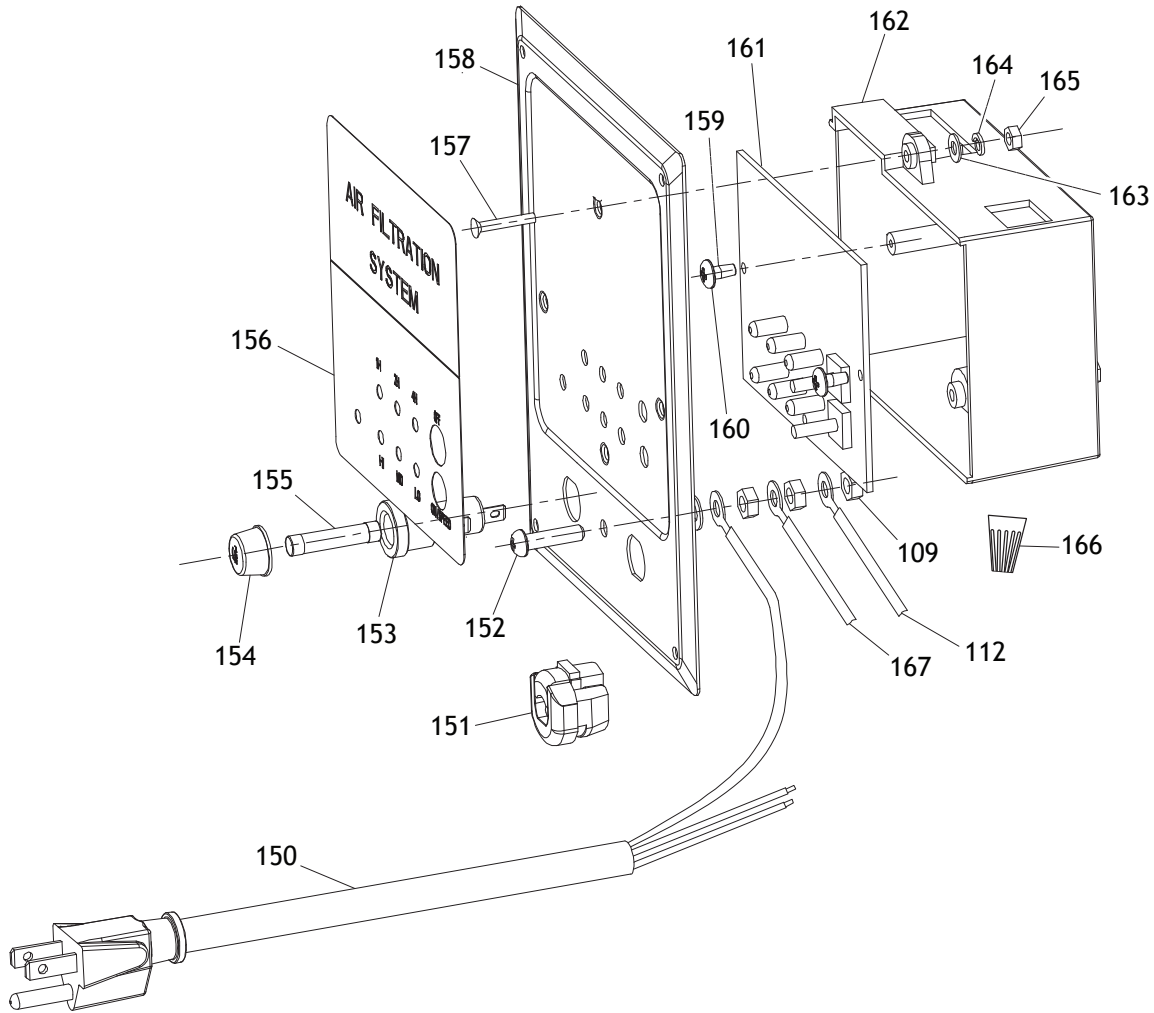
## Cabinet & Remote Control



REF	PART #	DESCRIPTION
101	XPHTEK15M	TAP SCREW M4 X 10
102	X1830102	CABINET
103	XPS14M	PHLP HD SCR M6-1 X 12
104	X1830104	CABINET HANDLE
105	X1830105	HANDLE BRACKET
106	XPS40M	PHLP HD SCR M5-.8 X 16
107	XPW02M	FLAT WASHER 5MM
108	XPLW01M	LOCK WASHER 5MM
109	XPN06M	HEX NUT M5-.8
110	XPS08M	PHLP HD SCR M5-.8 X 12
111	XPTLW02M	EXT TOOTH WASHER 5MM

REF	PART #	DESCRIPTION
112	X1830112	GROUND WIRE 18AWG 335MM
113	X1830113	WIRE MESH 251 X 528MM
114	D3834	INNER FILTER 421 X 241 X 160MM
115	D3835	OUTER FILTER 421 X 241 X 45MM
116	X1830116	RUBBER FOOT
250	X1830250	REMOTE CONTROL UNIT
251	XPBATTAA	BATTERY AA
256	X1830256	THREADED HOOK M6-1 X 35
257	X1830257	HANGING CHAIN 11-1/2"
258	X1830258	HOOK SCREW M6 X 25
259	XPFN02M	FLANGE NUT M6-1

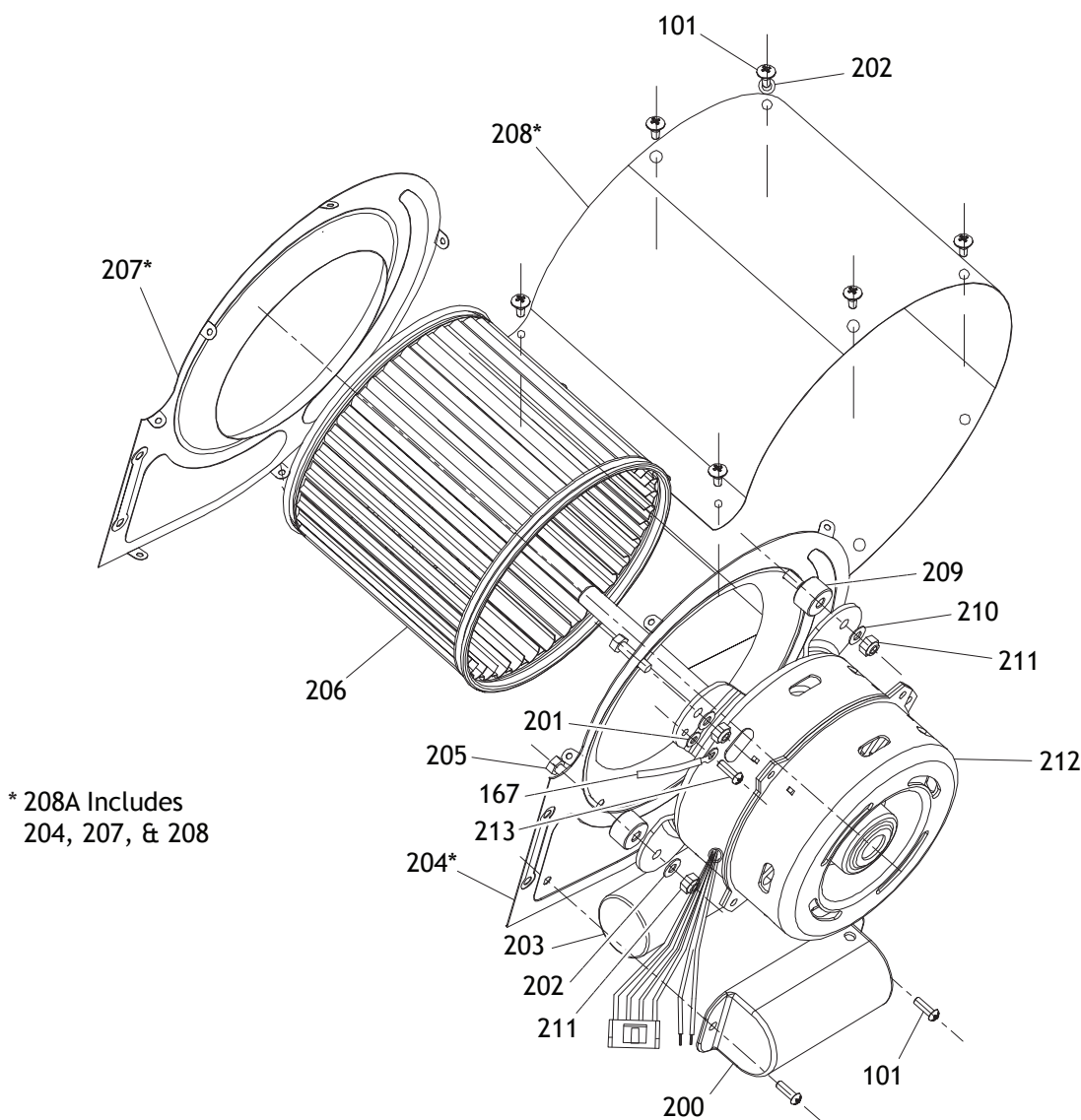
# Control Panel



REF	PART #	DESCRIPTION
109	XPN06M	HEX NUT M5-.8
112	X1830112	GROUND WIRE 18AWG 335MM
150	X1830150	POWER CORD 18G 3W 72" 5-15
151	X1830151	STRAIN RELIEF 6P-4
152	XPS06M	PHLP HD SCR M5-.8 X 20
153	X1830153	FUSE HOLDER CFH052S CR3-13
154	X1830154	FUSE HOLDER CAP
155	X1830155	FUSE F2A250V
156	X1830156	CONTROL PANEL LABEL
157	XPFH85M	FLAT HD SCR M3-.5 X 30

REF	PART #	DESCRIPTION
158	X1830158	CONTROL PANEL PLATE
159	X1830159	INSULATED FLAT WASHER 3MM
160	XPHTEK31M	TAP SCREW M4 X 14
161	X1830161	PRINTED CIRCUIT BOARD
162	X1830162	CONTROL PANEL BOX
163	XPW07M	FLAT WASHER 3MM
164	XPLW09M	LOCK WASHER 3MM
165	XPN07M	HEX NUT M3-.5
166	X1830166	WIRE NUT 18G
167	X1830167	WIRE 18G 6-3/4"

# Motor & Impeller



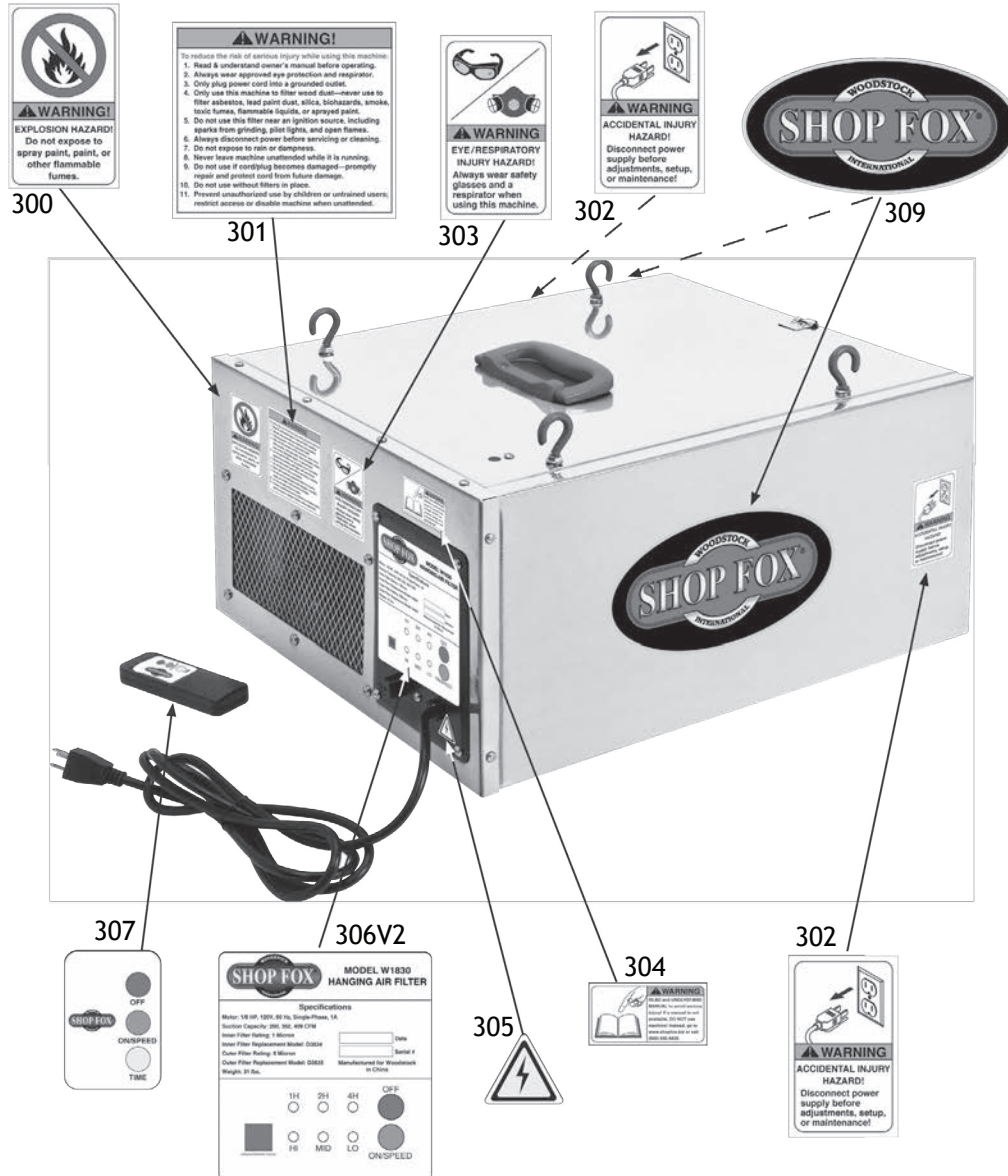
REF	PART #	DESCRIPTION
101	XPHTEK15M	TAP SCREW M4 X 10
167	X1830167	WIRE 18G 6-3/4"
200	X1830200	CAPACITOR COVER
201	XPTLW01M	EXT TOOTH WASHER 4MM
202	XPWF02M	FLAT WASHER 5MM
203	X1830203	R CAPACITOR 8M 375V 1-1/4 X 2-1/2
204	X1830204	FRONT IMPELLER HOUSING COVER
205	XPB94M	HEX BOLT M5-.8 X 25
206	X1830206	SQUIRREL CAGE IMPELLER

REF	PART #	DESCRIPTION
207	X1830207	REAR IMPELLER HOUSING COVER
208A	X1830208A	IMPELLER HOUSING ASSEMBLY
208	X1830208	IMPELLER HOUSING
209	X1830209	RUBBER SPACER
210	XPWF05M	FENDER WASHER 5MM
211	XPLN02M	LOCK NUT M5-.8
212	X1830212	MOTOR 1/8HP 120V 60HZ
213	XPS02M	PHLP HD SCR M4-.7 X 12

# Label Placement

## ⚠️ WARNING

Safety labels warn about machine hazards and how to prevent serious personal injury. The owner of this machine **MUST** maintain the original location and readability of all labels on this machine. If any label is removed or becomes unreadable, **REPLACE** that label before allowing machine to be operated again. Contact us at (360) 734-3482 or [www.shopfoxtools.com](http://www.shopfoxtools.com) to order new labels.



REF	PART #	DESCRIPTION
300	X1830300	EXPLOSION HAZARD LABEL
301	X1830301	GENERAL WARNINGS LABEL
302	XLABEL-24	DISCONNECT LABEL
303	XLABEL-06	EYE/LUNG HAZARD LABEL
304	XLABEL-08A	READ MANUAL LABEL

REF	PART #	DESCRIPTION
305	XLABEL-04	ELECTRICITY LABEL
306V2	X1830306V2	CONTROL PANEL LABEL ETL V2.07.14
307	X1830307	REMOTE CONTROL LABEL
309	X1830309	SHOP FOX LABEL