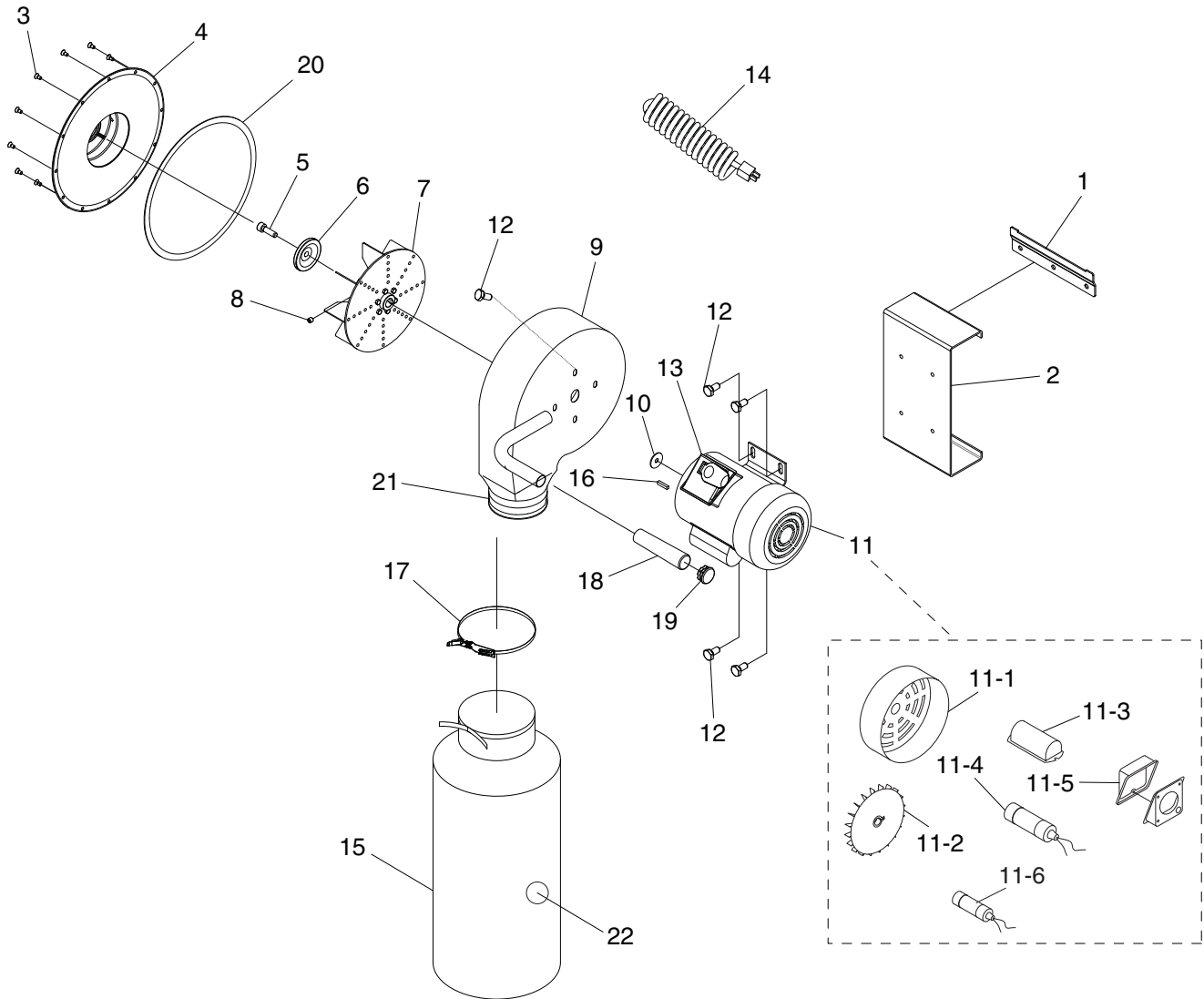


PARTS System



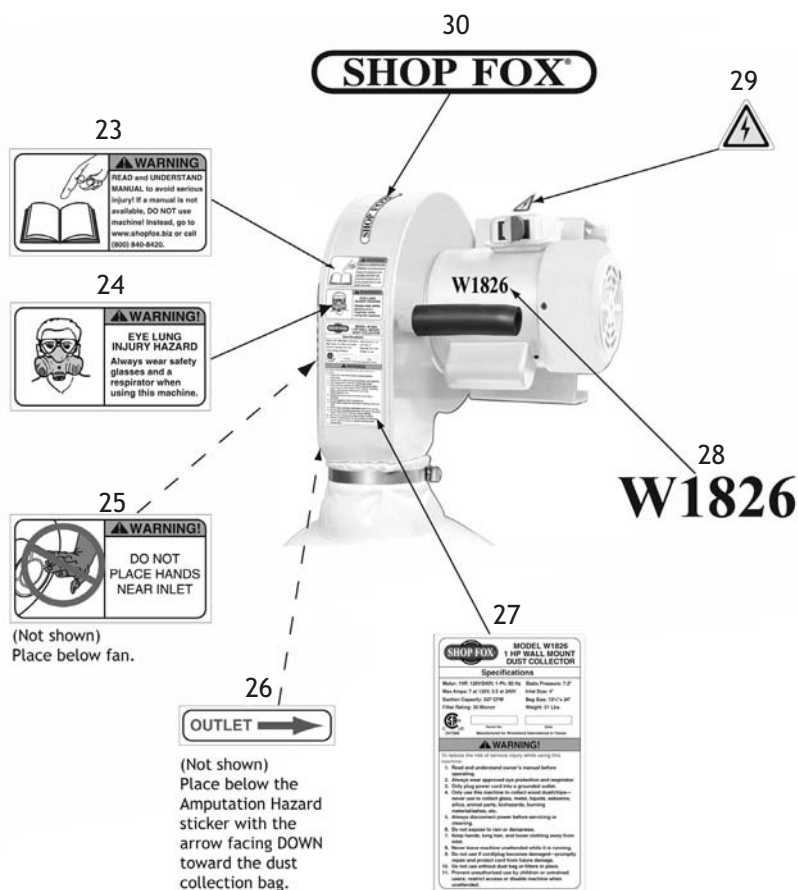
REF	PART #	DESCRIPTION
1	X1826001	WALL BRACKET
2	X1826002	MOTOR MOUNT BRACKET
3	XPS09M	PHLP HD SCR M5-.8 X 10
4	X1826004	INLET COVER 11"
5	XPCAP121M	CAP SCREW M6-1 X 20 LH
6	X1826006	IMPELLER WASHER 6MM
7	X1826007	IMPELLER 10"
8	XPSS02	SET SCREW 5/16-18 X 3/8
9	X1826009	COLLECTOR BODY W/HANDLE
10	X1826010	MOTOR SHAFT SPACER
11	X1826011	MOTOR 1HP 110V/220V 1-PH
11-1	X1826011-1	FAN COVER
11-2	X1826011-2	MOTOR FAN
11-3	X1826011-3	CAPACITOR COVER

REF	PART #	DESCRIPTION
11-4	XPC200	S CAPACITOR 200M 125V 1-1/4" X 3-3/8"
11-5	X1826011-5	JUNCTION BOX
11-6	X1826011-6	R CAPACITOR 30M 250V 1-1/4" X 3-3/8"
12	XPFB03	FLANGE BOLT 1/4-20 X 1/2
13	X1826013	PADDLE SWITCH W/KEY
14	X1826014	POWER CORD 16AWG 3C 5-15
15	X1826015	COLLECTION BAG 13-1/2" X 24"
16	XPK23M	KEY 5 X 5 X 25
17	X1826017	QUICK RELEASE BAG CLAMP
18	X1826018	HANDLE COVER
19	X1826019	HANDLE END CAP
20	X1826020	INLET COVER GASKET
21	X1826021	OUTLET GASKET
22	XPPAINT-1	SHOP FOX WHITE (M1006)

Label Placement

⚠️ WARNING

Safety labels warn about machine hazards and how to prevent machine damage or injury. The owner of this machine **MUST** maintain the original location and readability of all labels on this machine. If any label is removed or becomes unreadable, **REPLACE** that label before allowing the machine to enter service again. Contact Woodstock International, Inc. at (360) 734-3482 or www.shopfoxtools.com to order new labels.



REF	PART #	DESCRIPTION
23	XLABEL-08H	READ MANUAL 3.8H X 2H
24	XLABEL-06B	RESPIRATOR/GLASSES 3.8W X 2H
25	X1826025	HAND INLET WARNING LABEL
26	X1826026	OUTLET DIRECTION LABEL

REF	PART #	DESCRIPTION
27	X1826027	MACHINE ID LABEL
28	X1826028	MODEL NUMBER LABEL
29	XLABEL-04	ELECTRICITY LABEL 1.4W X 1.2H
30	X1826030	SHOP FOX LABEL