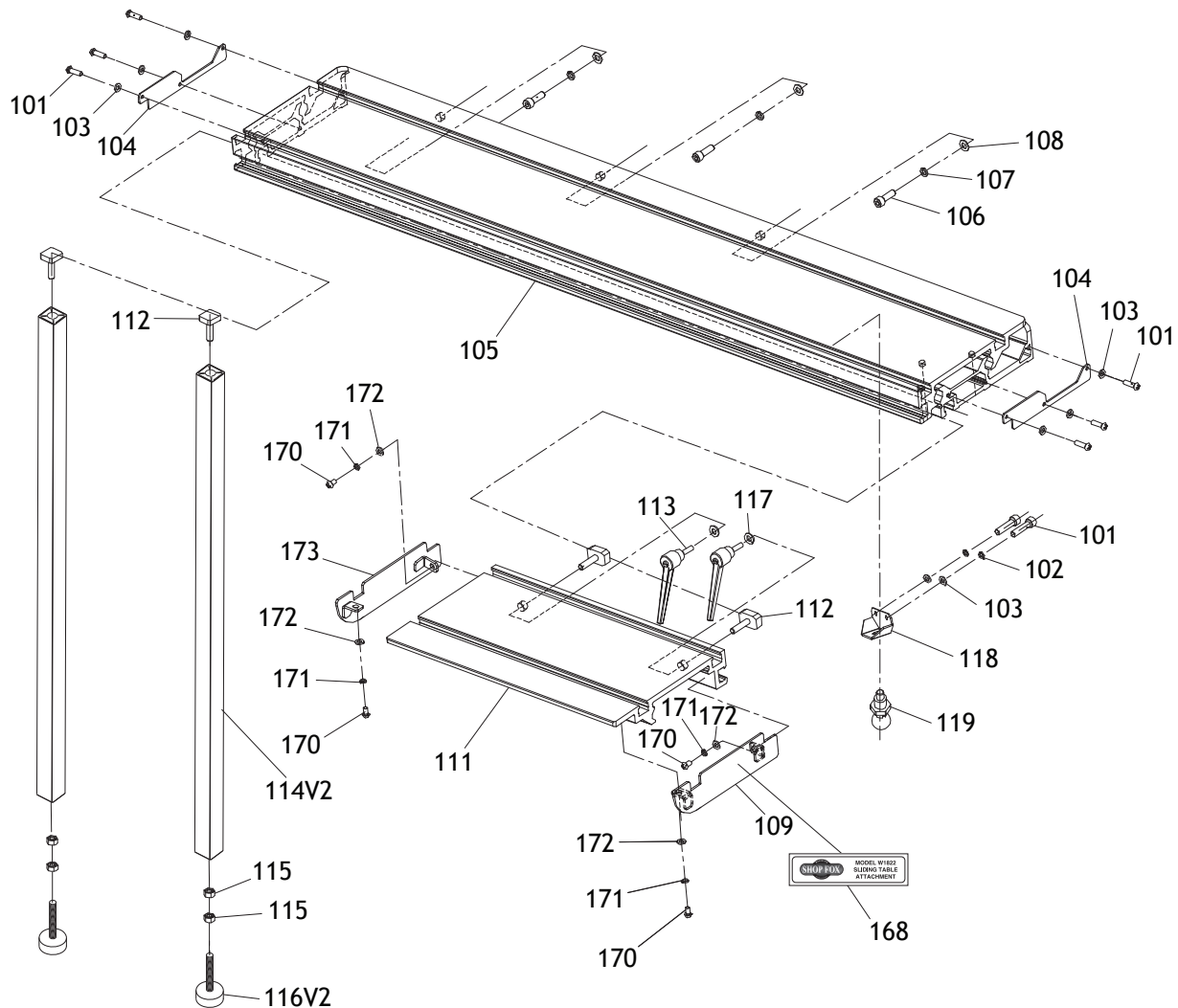


PARTS Table

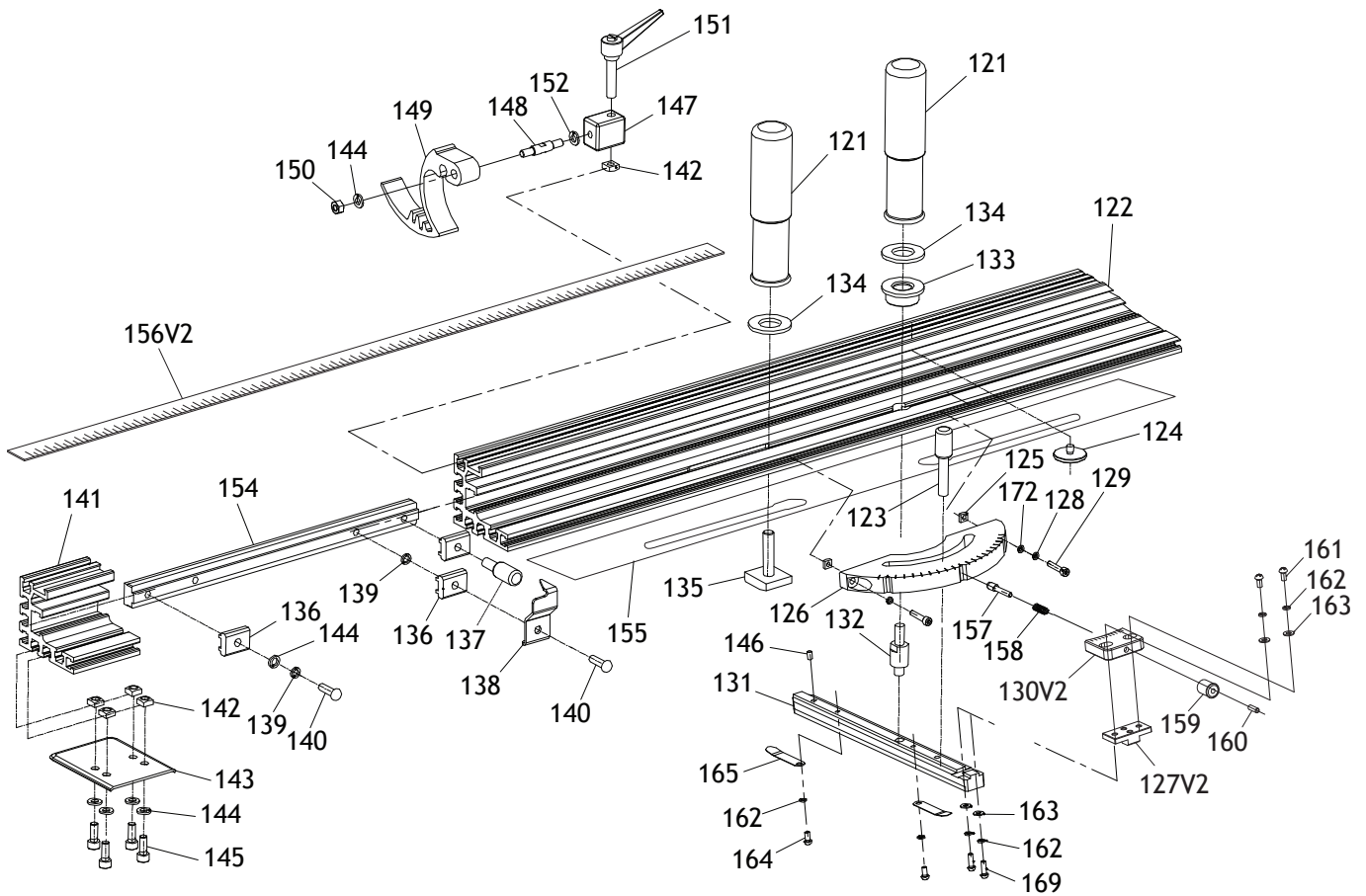


REF	PART #	DESCRIPTION
101	XPBHS09M	BUTTON HD CAP SCR M6-1 X 12
102	XPLW03M	LOCK WASHER 6MM
103	XPW03M	FLAT WASHER 6MM
104	X1822104	SLIDING TABLE SIDE COVER
105	X1822105	SLIDING TABLE ASSEMBLY
106	XPCAP31M	CAP SCREW M8-1.25 X 25
107	XPLW04M	LOCK WASHER 8MM
108	XPW01M	FLAT WASHER 8MM
109	X1822109	FRONT TABLE SIDE COVER
111	X1822111	EXTENSION TABLE
112	X1822112	T-BOLT M8-1.25 X 35
113	X1822113	LOCK LEVER M8-1.25

REF	PART #	DESCRIPTION
114V2	X1822114V2	SUPPORT LEG (ALUMINUM) V2.03.16
115	XPNO3M	HEX NUT M8-1.25
116V2	X1822116V2	FOOT PAD M8-1.25 (RUBBER) V2.03.16
117	X1822117	LOCK LEVER FLAT WASHER 8MM
118	X1822118	STOP PLATE
119	X1822119	STOP PIN ASSEMBLY
168	X1822168	MACHINE ID LABEL
170	XPBHS06M	BUTTON HD CAP SCR M5-.8 X 12
171	XPLW01M	LOCK WASHER 5MM
172	XPW02M	FLAT WASHER 5MM
173	X1822173	REAR TABLE SIDE COVER

PARTS

Fence



REF	PART #	DESCRIPTION
121	X1822121	KNURLED HANDLE M8-1.25
122	X1822122	LONG CROSSCUT FENCE
123	X1822123	KNOB BOLT M6-1 X 35
124	X1822124	HANDLE SCREW M6-1 X 8
125	X1822125	SQUARE NUT M5-.8
126	X1822126	MITER GUAGE BODY
127V2	X1822127V2	T-SLOT BLOCK V2.09.10
128	XPLW01M	LOCK WASHER 5MM
129	XPCAP15M	CAP SCREW M5-.8 X 20
130V2	X1822130V2	STOP PIN BRACKET V2.09.10
131	X1822131	MITER GUAGE T-SLOT BAR
132	X1822132	MITER GUAGE PIVOT PIN
133	X1822133	THREADED HANDLE BUSHING
134	X1822134	TEFLON FLAT WASHER 8MM
135	X1822135	T-BOLT M8-1.25 X 40
136	X1822136	T-SLOT NUT M6-1
137	X1822137	POINTER BRACKET KNOB BOLT M6-1
138	X1822138	POINTER
139	XPLW03M	LOCK WASHER 6MM
140	XPBHS05M	BUTTON HD CAP SCR M6-1 X 20
141	X1822141	SHORT CROSSCUT FENCE
142	X1822142	SQUARE NUT M6-1
143	X1822143	CROSSCUT SUPPORT PLATE
144	XPW03M	FLAT WASHER 6MM

REF	PART #	DESCRIPTION
145	XPCAP01M	CAP SCREW M6-1 X 16
146	XPSS03M	SET SCREW M6-1 X 8
147	X1822147	FLIP STOP BRACKET
148	X1822148	FLIP STOP PIVOT PIN
149	X1822149	FLIP STOP
150	XPLN03M	LOCK NUT M6-1
151	X1822151	LOCK LEVER M6-1 X 32
152	X1822152	TEFLON FLAT WASHER 6MM
153	X1822153	SCALE MOUNTING PLATE
154	X1822154	CROSSCUT FENCE EXTENSION BAR
155	X1822155	PVC PAD
156V2	X1822156V2	SCALE STRIP INCH/METRIC V2.09.10
157	X1822157	MITER GUAGE STOP PIN
158	X1822158	COMPRESSION SPRING
159	X1822159	STOP PIN KNOB
160	XPSS51M	SET SCREW M4-.7 X 8
161	XPBHS26M	BUTTON HD CAP SCR M4-.7 X 12
162	XPLW02M	LOCK WASHER 4MM
163	XPW05M	FLAT WASHER 4MM
164	XPBHS27M	BUTTON HD CAP SCR M4-.7 X 8
165	X1822165	SPRING STRIP
169	XPBHS26M	BUTTON HD CAP SCR M4-.7 X 12
172	XPW02M	FLAT WASHER 5MM

PARTS