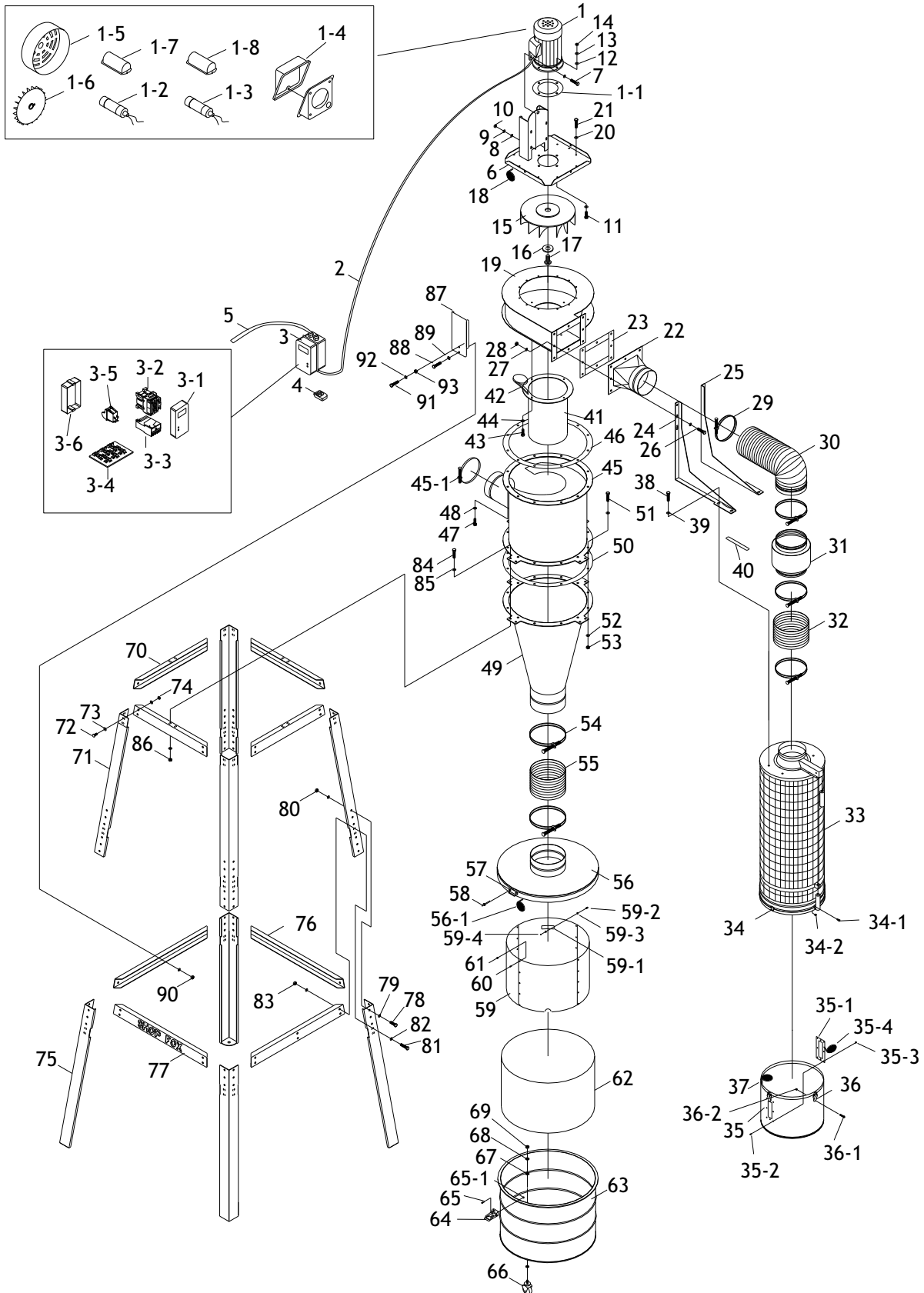


PARTS

W1808 Parts Breakdown



W1808 Parts List

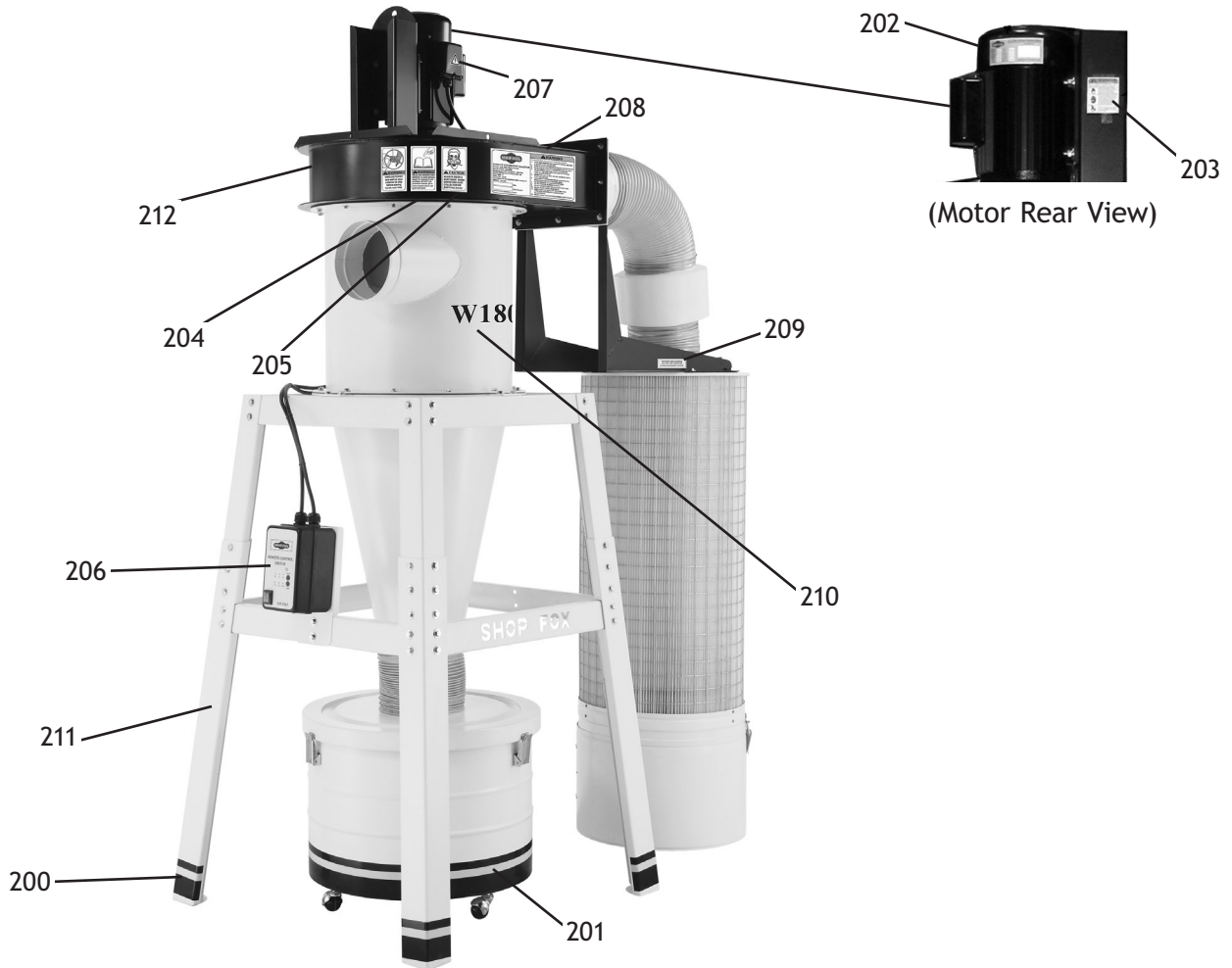
REF	PART #	DESCRIPTION	REF	PART #	DESCRIPTION
1	X1808001	MOTOR 2HP	36	X1808036	COLLECTION DRUM LATCH
1-1	X1808001-1	MOTOR GASKET	36-1	XPS06	PHLP HD SCR 10-24 X 3/8
1-2	X1808001-2	START CAPACITOR 300MFD 125V	36-2	XPN07	HEX NUT 10-24
1-3	X1808001-3	RUN CAPACITOR 50MFD 250V	37	X1808037	FOAM TAPE 19MM X 5MM X 1300MM
1-4	X1808001-4	JUNCTION BOX	38	XPB07	HEX BOLT 5/16-18 X 3/4
1-5	X1808001-5	MOTOR FAN COVER	39	XPW07	FLAT WASHER 5/16"
1-6	X1808001-6	MOTOR FAN	40	X1808040	FILTER BRACE GASKET 155MM X 37MM
1-7	X1808001-7	S. CAPACITOR COVER	41	X1808041	INTAKE CYLINDER 10"
1-8	X1808001-8	R. CAPACITOR COVER	42	X1808042	FOAM TAPE 3MM X 6MM X 1800MM
2	X1808002	WIRE 12AWG X 3C X 2.5M X 6R	43	XPB07	HEX BOLT 5/16-18 X 3/4
3	X1808003	REMOTE CONTROL MAG. SWITCH 220V	44	XPW07	FLAT WASHER 5/16"
3-1	X1808003-1	MAG SWITCH FRONT COVER	45	X1808045	INTAKE BARREL 20"
3-2	X1808003-2	CONTACTOR	45-1	X1808045-1	HOSE CLAMP 7"
3-3	X1808003-3	THERMAL OVERLOAD RELAY	46	X1808046	GASKET DIA 584MM
3-4	X1808003-4	CIRCUIT BOARD	47	XPB07	HEX BOLT 5/16-18 X 3/4
3-5	X1808003-5	SWITCH	48	XPW07	FLAT WASHER 5/16"
3-6	X1808003-6	MAG SWITCH BACK COVER	49	X1808049	INTAKE FUNNEL 20"
4	X1808004	REMOTE CONTROLLER	50	X1808050	GASKET DIA 584MM
5	X1808005	WIRE 12AWG X 3C X 3.2M X 6R	51	XPB03	HEX BOLT 5/16-18 X 1
6	X1808006	MOTOR BASE	52	XPW07	FLAT WASHER 5/16"
7	XPB16	HEX BOLT 3/8-16 X 1-1/2	53	XPN02	HEX NUT 5/16-18
8	XPW02	FLAT WASHER 3/8"	54	X1808054	HOSE CLAMP 9'
9	XPLW04	LOCK WASHER 3/8"	55	X1808055	CLEAR FLEX HOSE 9" X 7"
10	XPN08	HEX NUT 3/8-16	56	X1808056	DRUM LID
11	XPB16	HEX BOLT 3/8-16 X 1-1/2	56-1	X1808056-1	FOAM TAPE 10MM X 50MM X 2000MM
12	XPW02	FLAT WASHER 3/8"	57	X1808057	DRUM LATCH HOOK
13	XPLW04	LOCK WASHER 3/8"	58	X1808058	BLIND RIVET
14	XPN08	HEX NUT 3/8-16	59	X1808059	BAG HOLDER PLATE
15	X1808015	IMPELLER 13-1/2"	59-1	X1808059-1	RUBBER HANDLE
16	X1808016	FENDER WASHER 3/8"	59-2	XPB02	HEX BOLT 1/4-20 X 5/8
17	X1808017	SPECIAL SCREW 3/8" X 1" (LH)	59-3	XPW06	FLAT WASHER 1/4"
18	X1808018	FOAM TAPE 3MM X 6MM X 1300MM	59-4	XPN05	HEX NUT 1/4-20
19	X1808019	BLOWER	60	XPS06	PHLP HD SCR 10-24 X 3/8
20	XPW07	FLAT WASHER 5/16"	61	XPN07	HEX NUT 10-24
21	XPB07	HEX BOLT 5/16-18 X 3/4	62	X1808062	PLASTIC COLLCTN BAG 640MM X 1000MM
22	X1808022	OUTLET PORT 7"	63	X1808063	COLLECTION DRUM 35 GALLON
23	X1808023	GASKET 306MM X 226MM	64	X1808064	DRUM LID LATCH
24	X1808024	FILTER L-BRACE (RIGHT)	65	XPS06	PHLP HD SCR 10-24 X 3/8
25	X1808025	FILTER L-BRACE (LEFT)	65-1	XPN07	HEX NUT 10-24
26	XPB03	HEX BOLT 5/16-18 X 1	66	X1808066	CASTER 2"
27	XPW07	FLAT WASHER 5/16"	67	XPW02	FLAT WASHER 3/8"
28	XPN02	HEX NUT 5/16-18	68	XPLW04	LOCK WASHER 3/8"
29	X1808029	HOSE CLAMP 7"	69	XPN08	HEX NUT 3/8-16
30	X1808030	CLEAR FLEX HOSE 7" X 18	70	X1808070	UPPER STAND BRACE
31	X1808031	NOISE REDUCER 7"	71	X1808071	UPPER STAND LEG
32	X1808032	CLEAR FLEX HOSE 7" X 4"	72	XPB21	HEX BOLT 3/8-16 X 3/4
33	X1808033	CARTRIDGE FILTER 400MM	73	XPW02	FLAT WASHER 3/8"
34	X1808034	COLLECTION DRUM LATCH HOOK	74	XPLN01	LOCK NUT 3/8-16
34-1	XPS06	PHLP HD SCR 10-24 X 3/8	75	X1808075	LOWER STAND LEG
34-2	XPN07	HEX NUT 10-24	76	X1808076	LOWER STAND BRACE
35	X1808035	COLLECTION DRUM DIA 400MM	77	X1808077	LOWER STAND BRACE (WITH SHOPFOX)
35-1	X1808035-1	ACRYLIC BOARD 170MM X 75MM	78	XPB21	HEX BOLT 3/8-16 X 3/4
35-2	XPS06	PHLP HD SCR 10-24 X 3/8	79	XPW02	FLAT WASHER 3/8"
35-3	XPN07	HEX NUT 10-24	80	XPLN01	LOCK NUT 3/8-16
35-4	X1808035-4	FOAM TAPE 3MM X 6MM X 520MM	81	XPB18	HEX BOLT 3/8-16 X 1



REF	PART #	DESCRIPTION
82	XPW02	FLAT WASHER 3/8"
83	XPLN01	LOCK NUT 3/8-16
84	XPB18	HEX BOLT 3/8-16 X 1
85	XPW02	FLAT WASHER 3/8"
86	XPLN01	LOCK NUT 3/8-16
87	X1808087	SWITCH BASE

REF	PART #	DESCRIPTION
88	XPB21	HEX BOLT 3/8-16 X 3/4
89	XPW02	FLAT WASHER 3/8"
90	XPN08	HEX NUT 3/8-16
91	XPS06	PHLP HD SCR 10-24 X 3/8
92	XPW03	FLAT WASHER #10
93	XPN07	HEX NUT 10-24

W1808-10 Labels and Cosmetic Parts



REF	PART #	DESCRIPTION
200	X1808200	DECORATIVE STRIPE TAPE
201	X1808201	DECORATIVE STRIPE TAPE
202	X1808202	W1808 MOTOR SPEC LABEL
202	X1809202	W1809 MOTOR SPEC LABEL
202	X1810202	W1810 MOTOR SPEC LABEL
203	X1808203	MOTOR WARNING LABEL
204	XLABEL-12	READ MANUAL LABEL
205	XLABEL-06	RESPIRATOR/GLASSES LABEL
206	X1808206	REMOTE CONTROL SWITCH LABEL
207	XLABEL-04	ELECTRICITY LABEL

REF	PART #	DESCRIPTION
208	X1808208	W1808 MACHINE ID LABEL
208	X1809208	W1809 MACHINE ID LABEL
208	X1810208	W1810 MACHINE ID LABEL
209	X1808209	RETURN RED HANDLE LABEL
210	X1808210	W1808 MODEL NUMBER LABEL
210	X1809210	W1809 MODEL NUMBER LABEL
210	X1810210	W1810 MODEL NUMBER LABEL
211	XPPAINT-1	SHOP FOX WHITE PAINT
212	XPPAINT-7	SHOP FOX BLACK PAINT