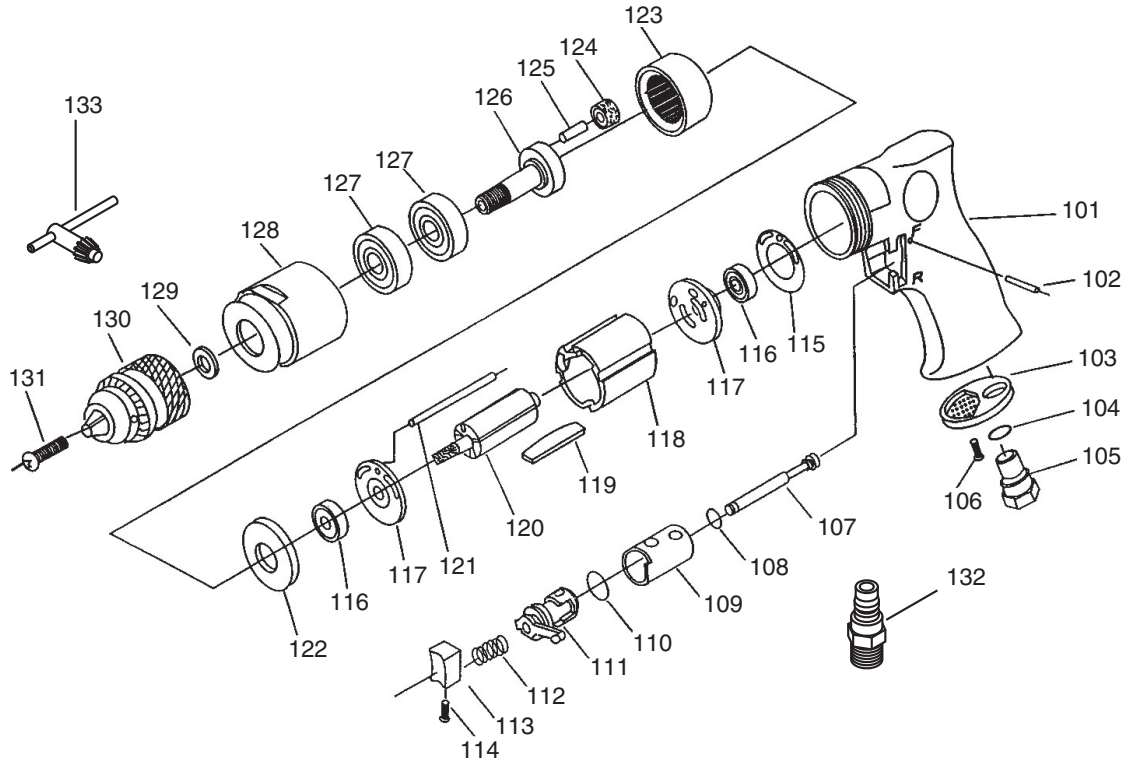


# W1790 Parts



REF	PART #	DESCRIPTION
101	X1790101	HOUSING
102	X1790102	SPRING PIN
103	X1790103	EXHAUST DEFLECTOR
104	X1790104	O-RING
105	X1790105	AIR FITTING BUSHING
106	X1790106	SPECIAL SCREW
107	X1790107	VALVE STEM
108	X1790108	O-RING
109	X1790109	REVERSE BUSHING
110	X1790110	O-RING
111	X1790111	REVERSE LEVER
112	X1790112	COMPRESSION SPRING
113	X1790113	TRIGGER
114	XPSS81M	SET SCREW M3-.5 X 5
115	X1790115	END PLATE GASKET
116	X1790116	BEARING
117	X1790117	END PLATE

REF	PART #	DESCRIPTION
118	X1790118	CYLINDER
119	X1790119	ROTOR BLADE
120	X1790120	ROTOR
121	X1790121	PIN
122	X1790122	SPACER
123	X1790123	INTERNAL GEAR
124	X1790124	PLANET GEAR
125	X1790125	PIN
126	X1790126	WORK SPINDLE
127	X1790127	BEARING
128	X1790128	CLAMP NUT
129	X1790129	GASKET
130	X1790130	DRILL CHUCK
131	X1790131	CHUCK SCREW
132	X1790132	1/4" NPT MALE AIR FITTING
133	X1790133	CHUCK KEY