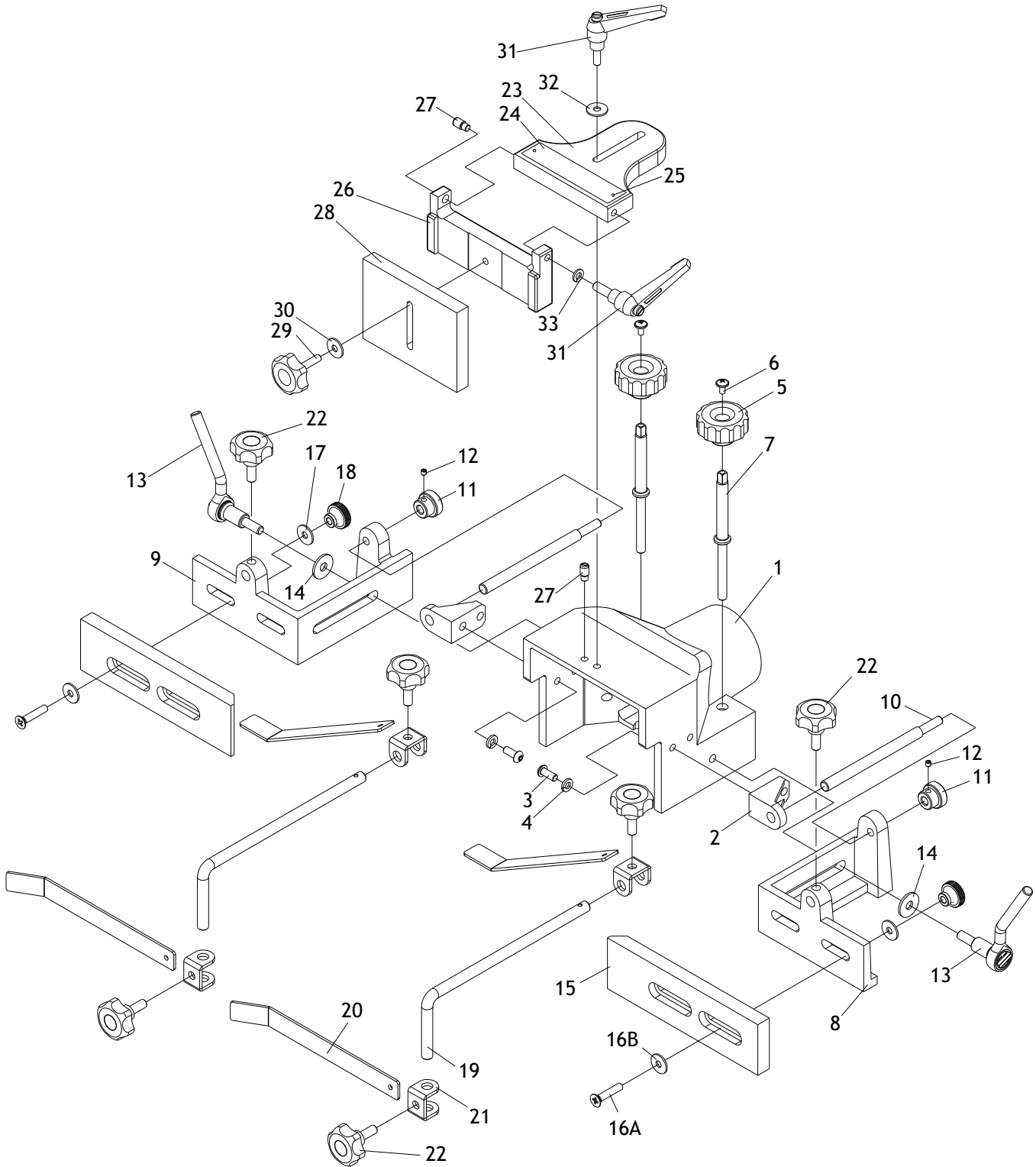


PARTS

Fence/Guard Assembly

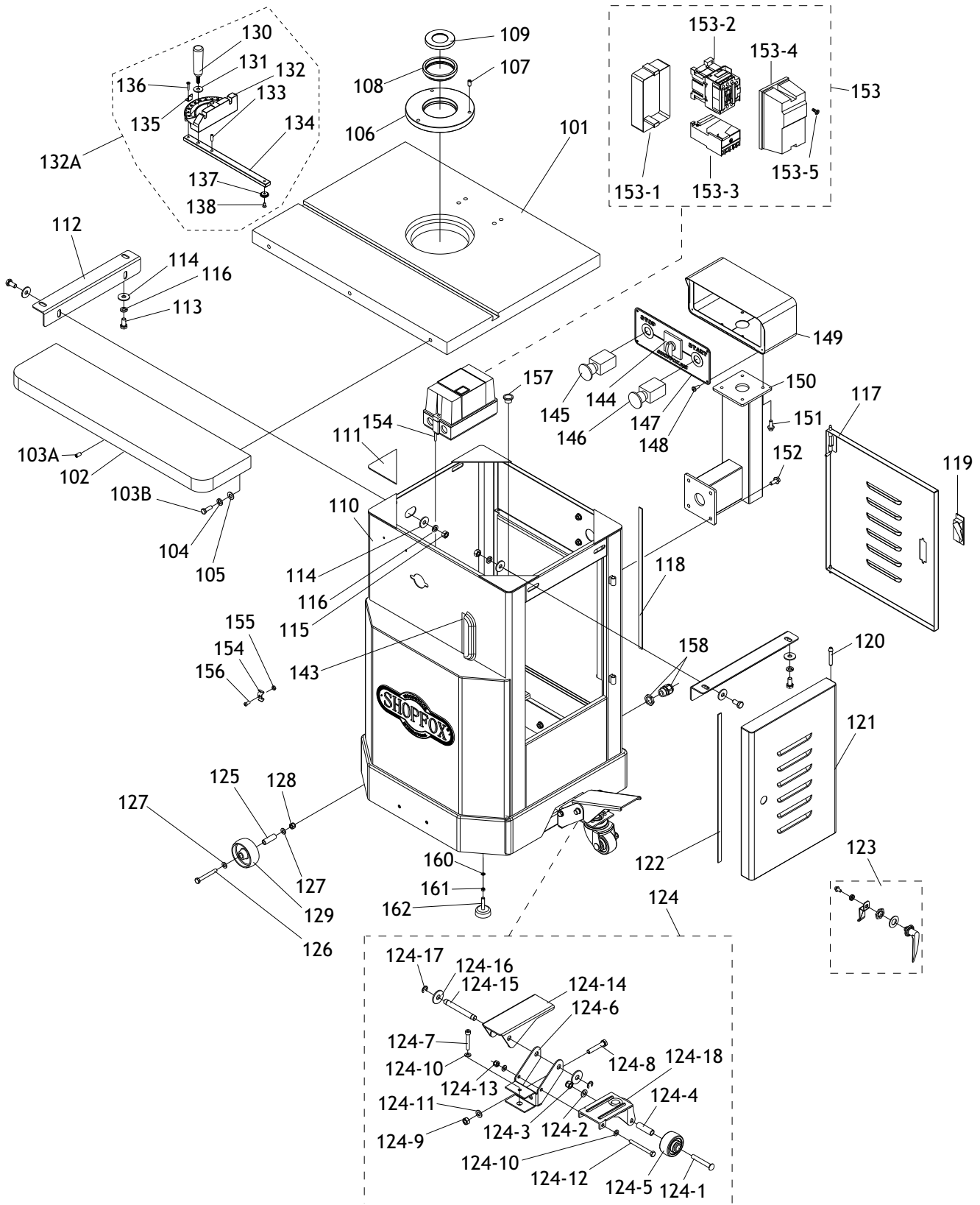


Fence/Guard Assembly Parts List

REF	PART #	DESCRIPTION
1	X1763001	SAFETY GUARD
2	X1763002	ADJUST THREADED SHAFT BRACKET
3	XPSBS23M	BUTTON HD CAP SCR M8-1.25 X 25
4	XPLW04M	LOCK WASHER 8MM
5	X1763005	KNOB
6	X1763006	CAPTURED SCREW M6-1 X 12
7	X1763007	SPECIAL BOLT
8	X1763008	FENCE MOUNT BRACKET (LEFT)
9	X1763009	FENCE MOUNT BRACKET (RIGHT)
10	X1763010	FENCE ADJUST THREADED SHAFT
11	X1763011	KNOB
12	XPSS02M	SET SCREW M6-1 X 6
13	X1763013	LOCK HANDLE
14	XPW04M	FLAT WASHER 10MM
15	X1763015	WOODEN FENCE
16A	XPFH42M	FLAT HD SCR M8-1.25 X 40
16B	XPW01M	FLAT WASHER 8MM

REF	PART #	DESCRIPTION
17	XPW01M	FLAT WASHER 8MM
18	X1763018	KNOB NUT
19	X1763019	HOLD DOWN ROD
20	X1763020	HOLD DOWN BAR
21	X1763021	HOLD DOWN BRACKET
22	X1763022	KNOB
23	X1763023	SLIDING BLOCK
24	X1763024	LABEL
25	X1763025	RIVET 2 X 4
26	X1763026	GUARD BRACKET
27	X1763027	SPECIAL BOLT
28	X1763028	WOODEN EDGE
29	X1763029	KNOB
30	XPW01M	FLAT WASHER 8MM
31	X1763031	LOCK HANDLE
32	XPW01M	FLAT WASHER 8MM
33	XPLW04M	LOCK WASHER 8MM

Cabinet/Table

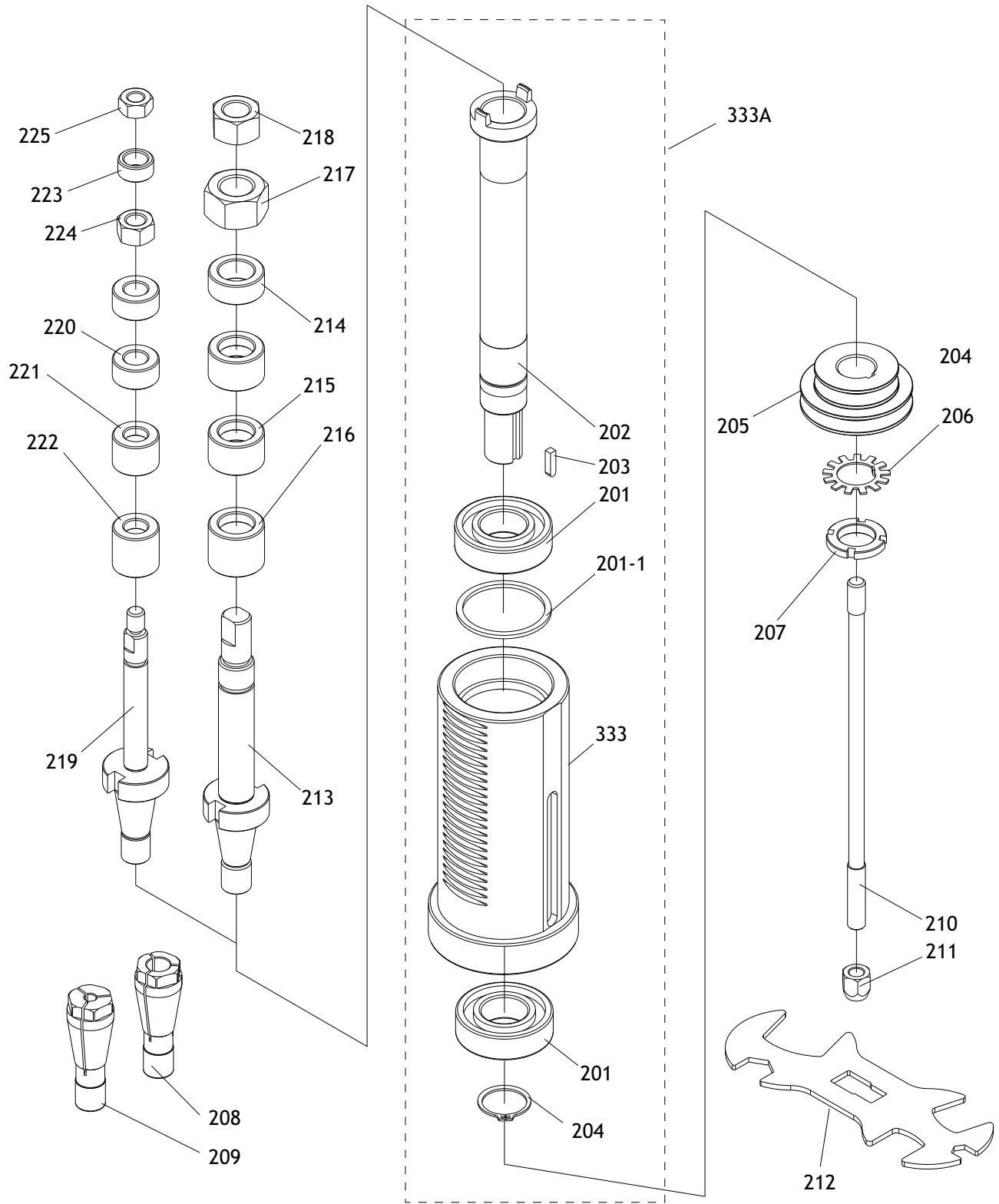


Cabinet/Table Parts List

REF	PART #	DESCRIPTION
101	X1763101	TABLE
102	X1763102	TABLE EXTENSION
103A	XPSS06M	SET SCREW M8-1.25 X 16
103B	XPSBS19M	BUTTON HD CAP SCR M10-1.5 X 30
104	XPLW06M	LOCK WASHER 10MM
105	XPW04M	FLAT WASHER 10MM
106	X1763106	TABLE INSERT(LARGE)
107	XPSS06M	SET SCREW M8-1.25 X 16
108	X1763108	THREADED INSERT
109	X1763109	TABLE INSERT(SMALL)
110	X1763110	CABINET STAND(SPECIAL ORDER)
111	X1763111	UPPER CABINET RUBBER CUSHION
112	X1763112	ANGLE BAR
113	XPB74M	HEX BOLT M10-1.5 X 20
114	XPW04M	FLAT WASHER 10MM
115	XPLW06M	LOCK WASHER 10MM
116	XPN02M	HEX NUT M10-1.5
117	X1763117	REAR DOOR
118	X1763118	REAR DOOR RUBBER CUSHION
119	X1763119	REAR DOOR LOCK
120	X1763120	PIN
121	X1763121	SIDE DOOR
122	X1763122	SIDE DOOR RUBBER CUSHION
123	X1763123	SIDE DOOR LOCK
124	X1763124	CASTER ASSEMBLY
124-1	X1763124-1	SPECIAL BOLT
124-2	XPW04M	FLAT WASHER 10MM
124-3	XPLN05M	LOCK NUT M10-1.5
124-4	X1763124-4	SLEEVE
124-5	X1763124-5	CASTER WHEEL
124-6	X1763124-6	BRACKET
124-7	XPSB05M	CAP SCREW M8-1.25 X 50
124-8	XPB144M	HEX BOLT M10-1.5 X 55
124-9	XPN02M	HEX NUT M10-1.5
124-10	XPW01M	FLAT WASHER 8MM
124-11	XPW04M	FLAT WASHER 10MM
124-12	XPB45M	HEX BOLT M8-1.25 X 100
124-13	XPLN04M	LOCK NUT M8-1.25
124-14	X1763124-14	PEDAL
124-15	X1763124-15	SHAFT
124-16	XPW06M	FLAT WASHER 12MM
124-17	XPR16M	EXT RETAINING RING 9MM

REF	PART #	DESCRIPTION
124-18	X1763124-18	CASTER BRACKET
125	X1763125	SLEEVE
126	XPB86M	HEX BOLT M8-1.25 X 65
127	XPW01M	FLAT WASHER 8MM
128	XPN03M	HEX NUT M8-1.25
129	X1763129	UNIVERSAL PULLEY
130	X1763130	HANDLE
131	XPW01M	FLAT WASHER 8MM
132	X1763132	MITER GAUGE BODY
132A	X1763132A	COMPLETE MITER GAUGE ASSY
133	X1763133	SUPPORT POLE
134	X1763134	MITER BAR
135	X1763135	POINTER
136	X1763136	CAPTURED SCREW M5-.8 X 8
137	X1763137	SPECIAL WASHER
138	XPFH07M	FLAT HD SCR M5-.8 X 10
143	X1763143	SCALE
144	X1763144	FWD/REV SWITCH SELECTOR
145	X1763145	STOP BUTTON
146	X1763146	START BUTTON
147	X1763147	BUTTON PLATE
148	XPHTK4M	TAP SCREW M4 X 8
149	X1763149	SWITCH BOX
150	X1763150	SWITCH BOX BRACKET
151	XPFS14M	FLANGE SCREW M6-1 X 16
152	XPFS19M	FLANGE SCREW M8-1.25 X 20
153	X1763153	MAGNETIC SWITCH ASSEMBLY
153-1	X1763153-1	MAG SWITCH COVER ASSEMBLY
153-2	X1741035-2	CONTACTOR NHD C-09D 230V
153-3	X1741035-3	OL RELAY NHD NTH-21 17-21A
153-4	X1763153-1	MAG SWITCH COVER ASSEMBLY
153-5	XPSW01-1	SWITCH COVER SCREW
154	XPN06M	HEX NUT M5-.8
155	X1763155	CORD CLAMP
156	XPS06M	PHLP HD SCR M5-.8 X 20
157	X1763157	STRAIN RELIEF
158	X1763158	BALL STRAIN RELIEF
159	X1763159	POWER CORD 14G 3W 72" 6-15P
160	X1763160	FLAT WASHER
161	X1763161	HEX NUT
162	X1763162	LEVELING FOOT

Spindle

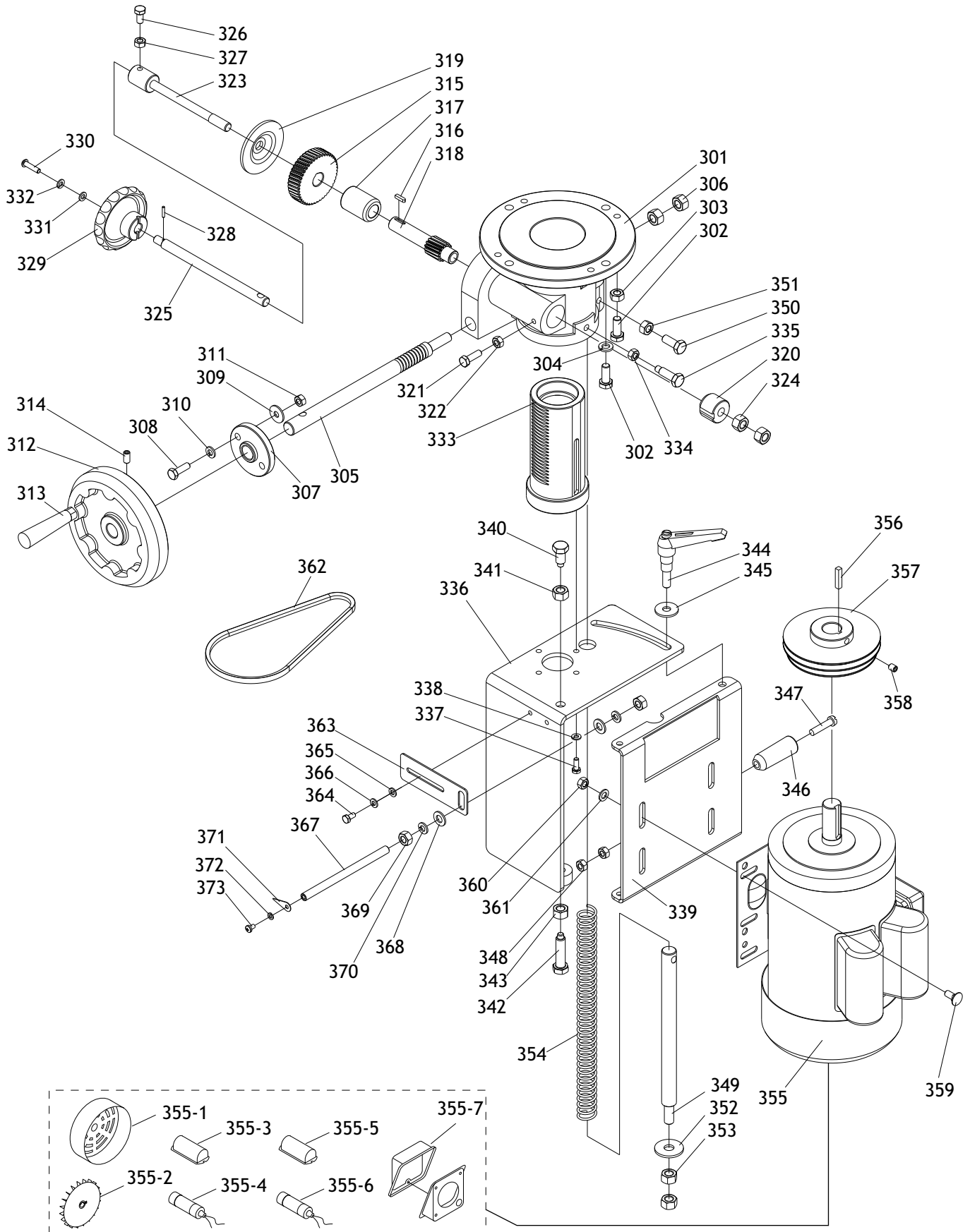


Spindle Parts List

REF	PART #	DESCRIPTION
201	XP6205	BALL BEARING 6205ZZ
201-1	X1763201-1	WAVE WASHER 52MM
202	X1763202	SPINDLE QUILL
203	XPK20M	KEY 5 X 5 X 15
204	X1763204	RETAINING RING/SHAFT 25
205	X1763205	SPINDLE PULLEY
206	XPLW06M	LOCK WASHER 10MM
207	X1763207	SPANNER NUT 10MM
208	X1763208	1/2" ROUTER BIT COLLET
209	X1763209	1/4" ROUTER BIT COLLET
210	X1763210	DRAW BAR
211	X1763211	SPECIAL NUT
212	X1763212	SPECIAL WRENCH
213	X1763213	3/4" SPINDLE

REF	PART #	DESCRIPTION
214	X1763214	3/4" ID X 1/2" TH.SPACER
215	X1763215	3/4" ID X 3/4" TH.SPACER
216	X1763216	3/4" ID X 3/4" TH.SPACER
217	XPN03	HEX NUT 3/4-16
218	X1763218	SPECIAL NUT 5/8-18
219	X1763219	1/2" SPINDLE
220	X1763220	1/2"ID X 1/2"SPACER
221	X1763221	1/2"ID X 3/4"SPACER
222	X1763222	1/2"ID X 1"SPACER
223	X1763223	1/2"ID X 3/8"SPACER
224	XPN01	HEX NUT 1/2-20
225	X1763225	SPECIAL NUT 3/8-16
333	X1763333	SPINDLE CARTRIDGE
333A	X1763333A	SPINDLE CARTRIDGE ASSEMBLY

Cabinet/Table Parts List



REF	PART #	DESCRIPTION
301	X1763301	SPINDLE BASE
302	XPB32M	HEX BOLT M10-1.5 X 25
303	XPNO2M	HEX NUT M10-1.5
304	XPLW06M	LOCK WASHER 10MM
305	X1763305	HANDLE SHAFT
306	XPNO9M	HEX NUT M12-1.75
307	X1763307	HANDWHEEL FLANGE
308	XPB07M	HEX BOLT M8-1.25 X 25
309	XPW01M	FLAT WASHER 8MM
310	XPLW04M	LOCK WASHER 8MM
311	XPNO3M	HEX NUT M8-1.25
312	X1763312	HANDWHEEL
313	X1763313	HANDLE ASSEMBLY
314	XPSS06M	SET SCREW M8-1.25 X 16
315	X1763315	GEAR
316	XPK37M	KEY 4 X 4 X 16
317	X1763317	COLLAR
318	X1763318	GEAR SHAFT
319	X1763319	FLANGE
320	X1763320	COLLAR
321	XPB07M	HEX BOLT M8-1.25 X 25
322	X1763322	KNOB NUT M8-1.25
323	X1763323	LOCKING SCREW
324	XPNO9M	HEX NUT M12-1.75
325	X1763325	LOCK BAR
326	XPB85M	HEX BOLT M8-1.25 X 18
327	XPNO3M	HEX NUT M8-1.25
328	XPRP02M	ROLL PIN 3 X 16
329	X1763329	HANDWHEEL
330	XPSBS21M	BUTTON HD CAP SCR M6-1 X 25
331	XPW03M	FLAT WASHER 6MM
332	XPLW03M	LOCK WASHER 6MM
333	X1763333	SPINDLE CARTRIDGE
333A	X1763333A	SPINDLE CARTRIDGE ASSEMBLY
334	XPNO3M	HEX NUT M8-1.25
335	X1763335	SPECIAL SCREW
336	X1763336	MOTOR ANGLE PLATE
337	XPB83M	HEX BOLT M6-1 X 16
338	XPLW03M	LOCK WASHER 6MM
339	X1763339	MOTOR MOUNT PLATE

REF	PART #	DESCRIPTION
340	X1763340	SHOULDER SCREW
341	XPNO9M	HEX NUT M12-1.75
342	X1763342	SPECIAL BOLT
343	XPNO9M	HEX NUT M12-1.75
344	X1763344	HANDLE
345	XPLW06M	LOCK WASHER 10MM
346	X1763346	KNOB
347	X1763347	SPECIAL BOLT M8-1.25 X 35
348	XPNO3M	HEX NUT M8-1.25
349	X1763349	SPRING SHAFT
350	XPB32M	HEX BOLT M10-1.5 X 25
351	XPNO2M	HEX NUT M10-1.5
352	XPW06M	FLAT WASHER 12MM
353	XPNO9M	HEX NUT M12-1.75
354	X1763354	COMPRESSION SPRING
355	X1763355	2.5HP, 220V, 1-PHASE MOTOR
355-1	X1763355-1	MOTOR FAN COVER
355-2	X1763355-2	MOTOR FAN
355-3	X1763355-3	CAPACITOR COVER
355-4	X1763355-4	S. CAPACITOR 150M 250V
355-5	X1763355-5	CAPACITOR COVER
355-6	X1763355-6	R. CAPACITOR 40M 400V
356	XPK42M	KEY 6 X 6 X 30
357	X1763357	MOTOR PULLEY
358	XPSS16M	SET SCREW M8-1.25 X 10
359	X1763359	HEX CARRIAGE BOLT
360	X1763360	MOTOR CARRIAGE NUT
361	XPW01M	FLAT WASHER 8MM
362	XPVM23	V-BELT M23 3L230
363	X1763363	PLATE
364	XPB02M	HEX BOLT M6-1 X 12
365	XPW03M	FLAT WASHER 6MM
366	XPLW03M	LOCK WASHER 6MM
367	X1763367	SCALE SHAFT
368	XPW04M	FLAT WASHER 10MM
369	XPNO2M	HEX NUT M10-1.5
370	XPLW06M	LOCK WASHER 10MM
371	X1763371	POINTER
372	XPLW01M	LOCK WASHER 5MM
373	XPS05M	PHLP HD SCR M5-.8 X 8

Label Placement

WARNING

Safety labels warn about machine hazards and how to prevent machine damage or injury. The owner of this machine **MUST** maintain the original location and readability of all labels on this machine. If any label is removed or becomes unreadable, **REPLACE** that label before allowing the machine to enter service again. Contact Woodstock International, Inc. at (360) 734-3482 or www.shopfoxtools.com to order new labels.



W1763
409

REF	PART #	DESCRIPTION
401	XPPAINT-7	BLACK TOUCH UP PAINT
402	X1763402	SPINDLE LOCK LABEL
403	X1763403	SPINDLE ELEVATION LABEL
404	XLABEL-08	READ MANUAL LABEL
405	XLABEL-06	GLASSES/RESPIRATOR LABEL
406	X1763406	SHOP FOX NAMEPLATE
407	X1763407	MACHINE ID LABEL
408	X1763408	LARGE BLACK STRIPE
409	X1763409	MODEL NUMBER LABEL

REF	PART #	DESCRIPTION
410	X1763410	SMALL BLACK STRIPE
411	XLABEL-02	UNPLUG POWER LABEL
412	X1763412	HEARING PROTECTION LABEL
413	XPPAINT-2	WHITE TOUCH UP PAINT
414	XLABEL-03	KEEP DOOR CLOSED LABEL
415	X1763415	SPINDLE HEIGHT SCALE LABEL
416	X1763416	CONTROL PANEL FACEPLATE
417	XLABEL-04	ELECTRICITY LABEL