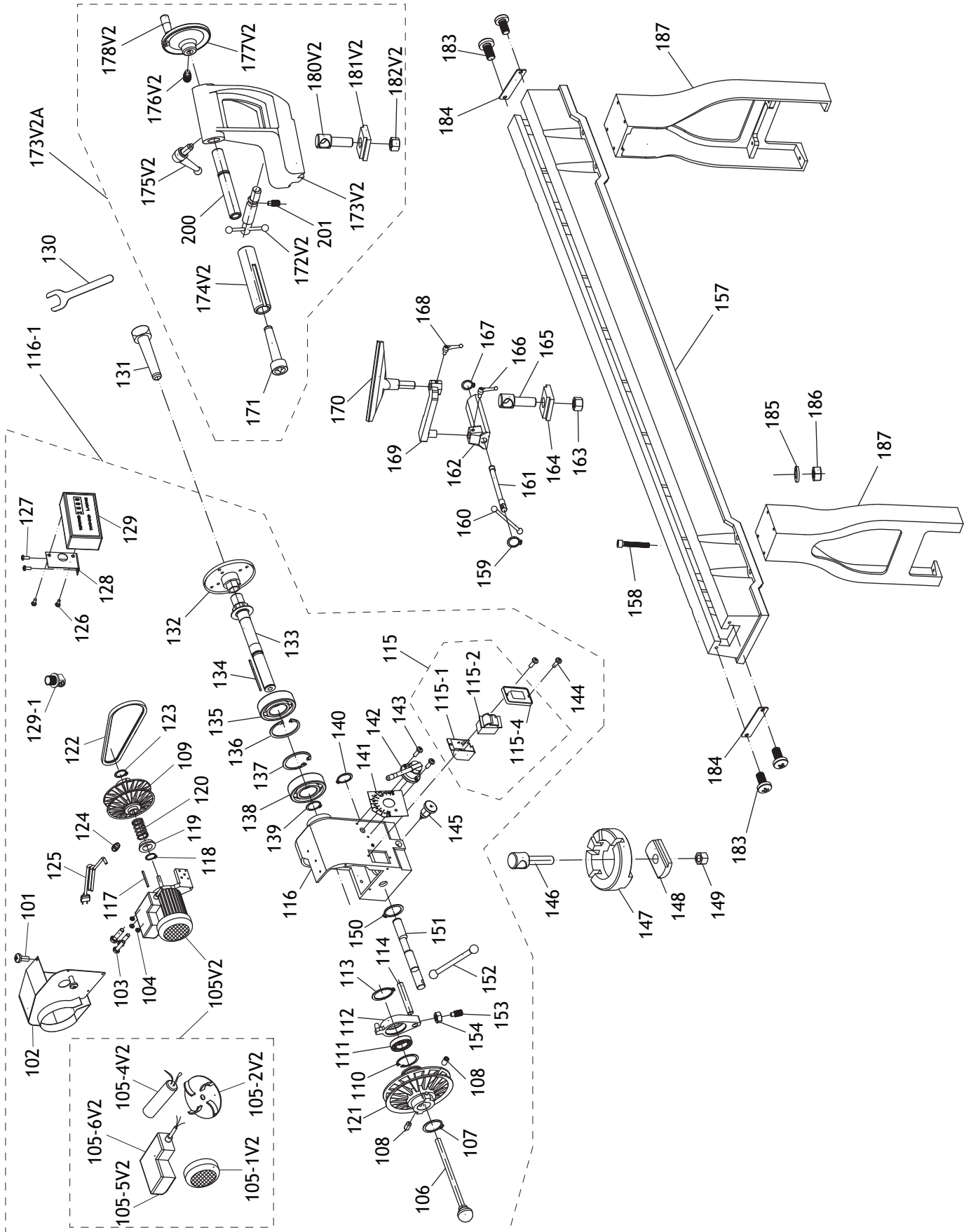


PARTS



Parts List

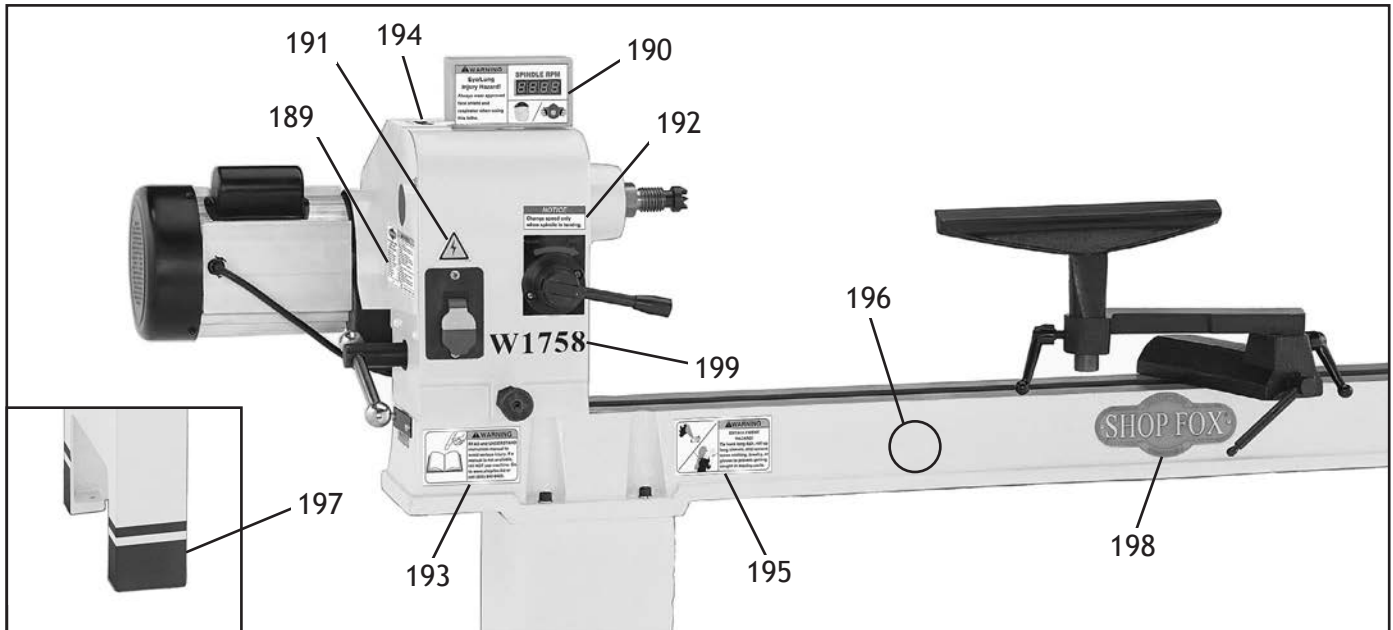
REF	PART #	DESCRIPTION
101	XPS05M	PHLP HD SCR M5-.8 x 8
102	X1758102	MOTOR COVER
103	XPB26M	HEX BOLT M8-1.25 X 30
104	XPLW04M	LOCK WASHER 8MM
105V2	X1758105V2	MOTOR 2HP 110V 60HZ V2.10.08
105-1V2	X1758105-1V2	MOTOR FAN COVER V2.10.08
105-2V2	X1758105-2V2	MOTOR FAN V2.10.08
105-4V2	X1758105-4V2	S CAPACITOR 100M 250V V2.10.08
105-5V2	X1758105-5V2	MOTOR JUNCTION BOX V2.10.08
105-6V2	X1758105-6V2	JUNCTION BOX COVER V2.10.08
106	X1758106	KNOCKOUT TOOL
107	XPR12M	EXT RETAINING RING 35MM
108	X1758108	CENTER-DRILLED SET SCR M6-1 X 10
109	X1758109	MOTOR PULLEY SET
110	XPR38M	INT RETAINING RING 62MM
111	XP6007ZZ	BALL BEARING 6007ZZ
112	X1758112	SHIFTING LEVER BRACKET
113	XPR12M	EXT RETAINING RING 35MM
114	X1758114	RACK
115	X1758115	SWITCH ASSEMBLY
115-1	X1758115-1	SWITCH BOX
115-2	D2751	PADDLE SWITCH W/KEY
115-4	X1758115-4	SWITCH BOX PLATE
116	X1758116	HEADSTOCK CASTING
116-1	X1758116-1	HEADSTOCK ASSEMBLY
117	XPK93M	KEY 4 X 4 X 80
118	XPR06M	EXT RETAINING RING 16MM
119	X1758119	MOTOR SHAFT SLEEVE
120	X1758120	COMPRESSION SPRING
121	X1758121	SPINDLE PULLEY SET
122	XPVM24	V-BELT M24 3L240
123	XPR06M	EXT RETAINING RING 16MM
124	X1758124	STRAIN RELIEF M20-1.5
125	X1758125	POWER WIRE 16G 3W 5-15 PLUG
126	XPS68M	PHLP HD SCR M6-1 X 10
127	XPS68M	PHLP HD SCR M6-1 X 10
128	X1758128	DIGITAL READOUT BRACKET
129	X1758129	DIGITAL READOUT ASSEMBLY
129-1	X1758129-1	RPM SENSOR
130	X1758130	FLAT WRENCH 32MM
131	X1758131	SPUR CENTER MT#2
132	X1758132	FACEPLATE 6"
133	X1758133	SPINDLE 1" x 8"
134	XPK93M	KEY 4 X 4 X 80
135	XP6205ZZ	BALL BEARING 6205ZZ
136	XPR26M	INT RETAINING RING 52MM
137	XPR26M	INT RETAINING RING 52MM
138	XP6205ZZ	BALL BEARING 6205ZZ
139	XPR11M	EXT RETAINING RING 25MM

REF	PART #	DESCRIPTION
140	XPR58M	EXT RETAINING RING 24MM
141	X1758141	SPEED CHANGE LABEL
142	X1758142	SPEED CONTROL LEVER ASSY
143	XPS08M	PHLP HD SCR M5-.8 X 12
144	XPS02M	PHLP HD SCR M4-.7 X 12
145	X1758145	PIVOT LOCKING PIN
146	X1758146	HEADSTOCK PIVOT BOLT
147	X1758147	PIVOT BASE
148	X1758148	BED CLAMP PLATE
149	XPN29M	HEX NUT M18-2.5
150	XPR58M	EXT RETAINING RING 24MM
151	X1758151	HEADSTOCK ECCENTRIC SHAFT
152	X1758152	LEVER
153	XPSS21M	SET SCREW M8-1.25 X 25
154	XPNO3M	HEX NUT M8-1.25
157	X1758157	BED
158	XPCAP12M	CAP SCREW M8-1.25 X 40
159	XPR08M	EXT RETAINING RING 19MM
160	X1758160	BALL LEVER
161	X1758161	TOOL REST ECCENTRIC SHAFT
162	X1758162	TOOL REST BASE
163	XPN29M	HEX NUT M18-2.5
164	X1758164	TOOL REST CLAMP PLATE
165	X1758165	TOOL REST PIVOT BOLT
166	X1758166	LOCK HANDLE ASSY M10-1.5 X 15
167	XPR08M	EXT RETAINING RING 19MM
168	X1758166	LOCK HANDLE ASSY M10-1.5 X 15
169	X1758169	TOOL REST EXTENSION ARM
170	X1758170	TOOL REST
171	X1758171	TAILSTOCK LIVE CENTER MT#2
172V2	X1758172V2	TAILSTOCK LOCK LEVER V2.04.10
173V2A	X1758173V2A	TAILSTOCK ASSEMBLY V2.04.10
173V2	X1758173V2	TAILSTOCK CASTING V2.04.10
174V2	X1758174V2	TAILSTOCK QUILL V2.04.10
175V2	X1758175V2	QUILL LOCK HANDLE ASSY V2.04.10
176V2	X1758176V2	HANDWHEEL SET SCREW V2.04.10
177V2	X1758177V2	TAILSTOCK HANDWHEEL V2.04.10
178V2	X1758178V2	HANDWHEEL HANDLE V2.04.10
180V2	X1758180V2	TAILSTOCK PIVOT BOLT V2.04.10
181V2	X1758181V2	TAILSTOCK CLAMP PLATE V2.04.10
182V2	XPN29M	HEX NUT M18-2.5
183	XPS08M	PHLP HD SCR M5-.8 X 12
184	X1758184	BED END PLATE
185	XPLW04M	LOCK WASHER 8MM
186	XPNO3M	HEX NUT M8-1.25
187	X1758187	STAND LEG
200	X1758200	TAILSTOCK LEADSCREW V2.04.10
201	XPSS04M	SET SCREW M6-1 X 12

Label Placement

⚠ WARNING

Safety labels warn about machine hazards and how to prevent machine damage or injury. The owner of this machine **MUST** maintain the original location and readability of all labels on this machine. If any label is removed or becomes unreadable, **REPLACE** that label before allowing the machine to enter service again. Contact Woodstock International, Inc. at (360) 734-3482 or www.shopfoxtools.com to order new labels.



REF	PART #	DESCRIPTION
189	X1758189	MACHINE ID LABEL
190	X1758190	DIGITAL READOUT LABEL
191	X1758191	ELECTRICITY LABEL
192	X1758192	SPEED CHANGE NOTICE LABEL
193	X1758193	READ MANUAL LABEL
194	X1758194	DISCONNECT POWER LABEL

REF	PART #	DESCRIPTION
195	X1758195	ENTANGLEMENT WARNING LABEL
196	XPPAINT-1	SHOP FOX WHITE TOUCH-UP PAINT
197	X1758197	BLACK PIN STRIPE LABEL
198	X1758198	SHOP FOX NAMEPLATE
199	X1758199	MODEL NUMBER LABEL