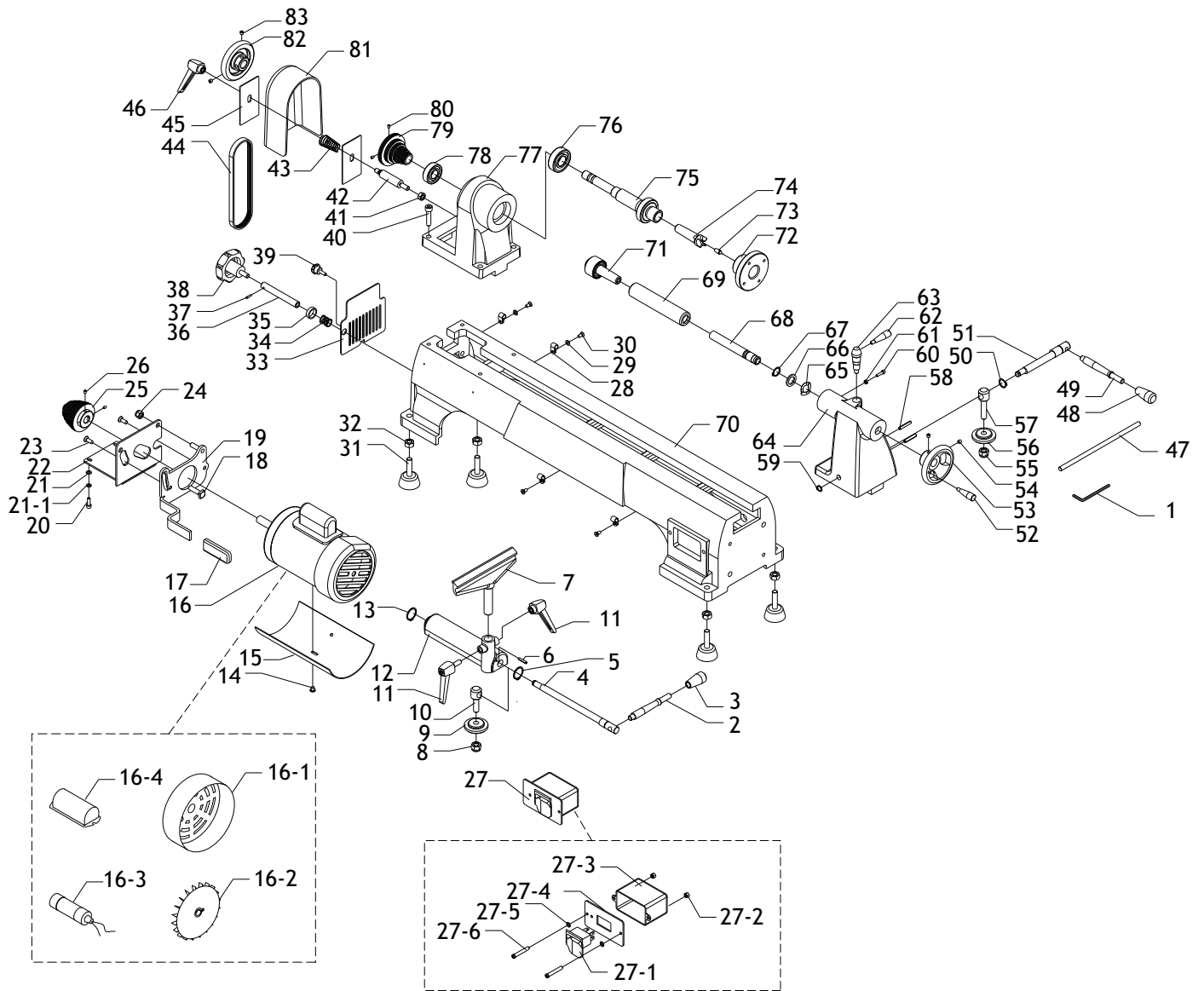


PARTS



Parts List

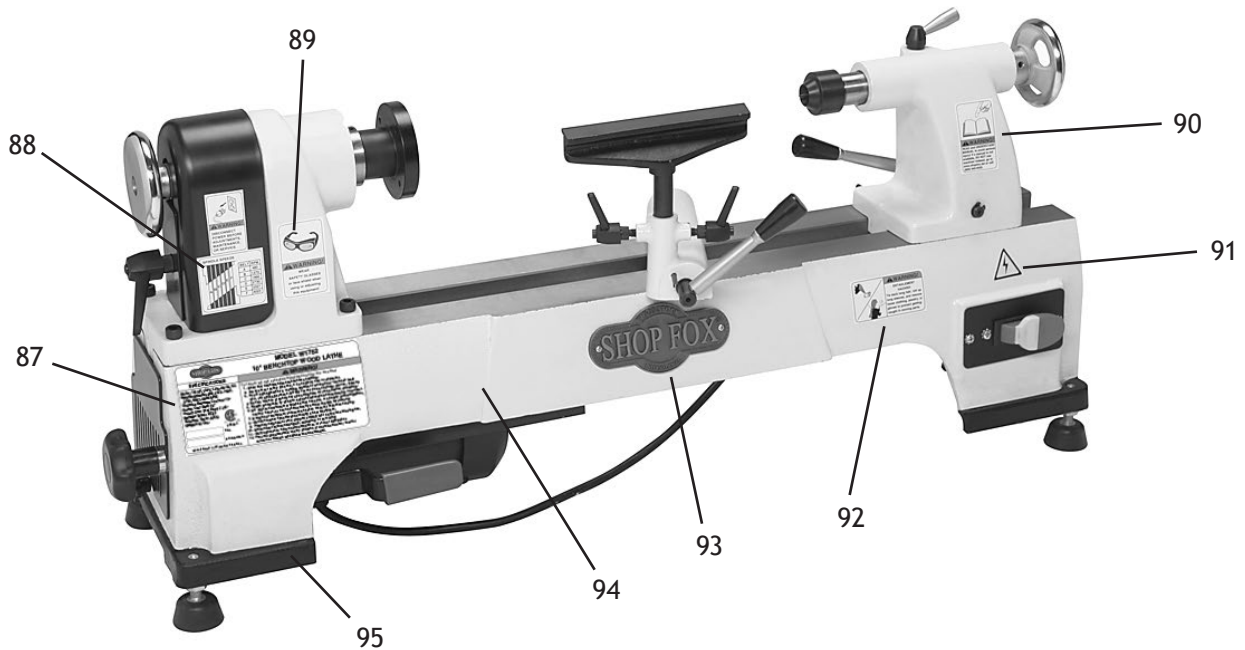
REF	PART #	DESCRIPTION
1	XPAW02.5M	HEX WRENCH 2.5MM
2	X1752002	TOOL REST RELEASE LEVER
3	X1752003	LEVER KNOB
4	X1752004	ECCENTRIC SHAFT
5	XPR02M	EXT RETAINING RING 14MM
6	XPRP39M	ROLL PIN 4 X 20
7	X1752007	TOOL REST
8	XPLN05M	LOCK NUT M10-1.5
9	X1752009	SLIDE COLLAR
10	X1752010	ADJUST SHAFT
11	X1752011	TOOL REST LOCK HANDLE M6-1
12	X1752012	TOOL POST BASE
13	XPR01M	EXT RETAINING RING 10MM
14	X1752014	LOCTITE SCREW 10-24 X 6
15	X1752015	DUST GUARD
16	X1752016	MOTOR
16-1	X1752016-1	FAN COVER
16-2	X1752016-2	FAN
16-3	X1752016-3	CAPACITOR 25MFD 250VAC
16-4	X1752016-4	CAPACITOR COVER
17	X1752017	RUBBER SLEEVE
18	X1752018	SQUARE HEAD BOLT
19	X1752019	TENSION BRACKET
20	X1752020	CAP SCREW M5-.8 X 15
21	XPW02M	FLAT WASHER 5MM
21-1	XPLW01M	LOCK WASHER 5MM
22	X1752022	MOTOR PLATE
23	XPS11M	PHLP HD SCR M6-1 X 16
24	XPLN04M	LOCK NUT M8-1.25
25	X1752025	MOTOR PULLEY
26	XPSS79M	SET SCREW M4-.7 X 6
27	X1752027	SWITCH
27-1	X1752027-1	SWITCH W/SAFETY KEY
27-2	XPN07	HEX NUT 10-24
27-3	X1752027-3	SWITCH BOX
27-4	X1752027-4	SWITCH PLATE
27-5	XPTLW02M	EXT TOOTH WASHER 5MM
27-6	XPS10	PHLP HD SCR 10-24 X 1-1/2
28	X1752028	WIRE CLAMP
29	XPW02M	FLAT WASHER 5MM
30	XPS09M	PHLP HD SCR M5-.8 X 10
31	X1752031	RUBBER FOOT
32	XPN08	HEX NUT 3/8-16
33	X1752033	LOWER PULLEY ACCESS PLATE
34	X1752034	COMPRESSION SPRING
35	X1752035	SPACER 18MM
36	X1752036	SHAFT

REF	PART #	DESCRIPTION
37	XPRP61M	ROLL PIN 3 X 12
38	X1752038	BELT TENSION LOCK KNOB
39	X1752039	THUMB SCREW M5-.8 X 15
40	XPSB40M	CAP SCREW M8-1.25 X 35
41	XPN03M	HEX NUT M8-1.25
42	X1752042	THREADED SHAFT
43	X1752043	COMPRESSION SPRING
44	X1752044	ULTR-FLEX BELT 7 X 3.4 X 600MM
45	X1752045	GUARD PLATE
46	X1752046	LOCK HANDLE
47	X1752047	KNOCK OUT BAR
48	X1752048	LEVER KNOB
49	X1752049	TAILSTOCK RELEASE LEVER
50	XPR06M	EXT RETAINING RING 16MM
51	X1752051	ECCENTRIC SHAFT
52	X1752052	QUILL HANDWHEEL HANDLE
53	X1752053	TAILSTOCK HANDWHEEL
54	XPSS02M	SET SCREW M6-1 X 6
55	XPLN05M	LOCK NUT M10-1.5
56	X1752056	SLIDE COLLAR
57	X1752057	ADJUST SHAFT
58	XPRP05M	ROLL PIN 5 X 30
59	XPR01M	EXT RETAINING RING 10MM
60	XPSB16M	CAP SCREW M4-.7 X 16
61	XPN04M	HEX NUT M4-.7
62	X1752062	QUILL LOCK HANDLE
63	X1752063	ECCENTRIC SHAFT
64	X1752064	TAILSTOCK CASTING
65	X1752065	RUBBER COLLAR
66	XPW14M	FLAT WASHER 15MM
67	XPR05M	EXT RETAINING RING 15MM
68	X1752068	TAILSTOCK LEAD SCREW
69	X1752069	TAILSTOCK QUILL
70	X1752070	BEDWAY
71	X1752071	LIVE CENTER MT#2
72	X1752072	FACEPLATE 3"
73	X1752073	INDEXED SPINDLE
74	X1752074	SPUR CENTER MT#2
75	X1752075	SPINDLE
76	XP6005	BALL BEARING 6005ZZ
77	X1752077	HEADSTOCK CASTING
78	XP6004	BALL BEARING 6004ZZ
79	X1752079	SPINDLE PULLEY
80	XPSS79M	SET SCREW M4-.7 X 6
81	X1752081	PULLEY SAFETY COVER
82	X1752082	HEADSTOCK HANDWHEEL
83	XPSS02M	SET SCREW M6-1 X 6

Label Placement

⚠WARNING

Safety labels warn about machine hazards and how to prevent machine damage or injury. The owner of this machine **MUST** maintain the original location and readability of all labels on this machine. If any label is removed or becomes unreadable, **REPLACE** that label before allowing the machine to enter service again. Contact Woodstock International, Inc. at (360) 734-3482 or www.shopfoxtools.com to order new labels.



REF	PART #	DESCRIPTION
87V2	X1752087V2	MACHINE ID LABEL CSA V2.08.12
88	X1752088	DISCONNECT POWER-SPINDLE SPEEDS LABEL
89	X1752089	SAFETY GLASSES LABEL 1-1/2" X 2-1/2"
90	X1752090	READ MANUAL LABEL 1-1/2" X 2-1/2"
91	X1752091	ELECTRICITY LABEL
92	X1752092	ENTANGLEMENT HAZARD LABEL
93	X1752093	SHOP FOX LOGO PLATE
94	X1752094	PAINT FOR SHOP FOX MACHINES