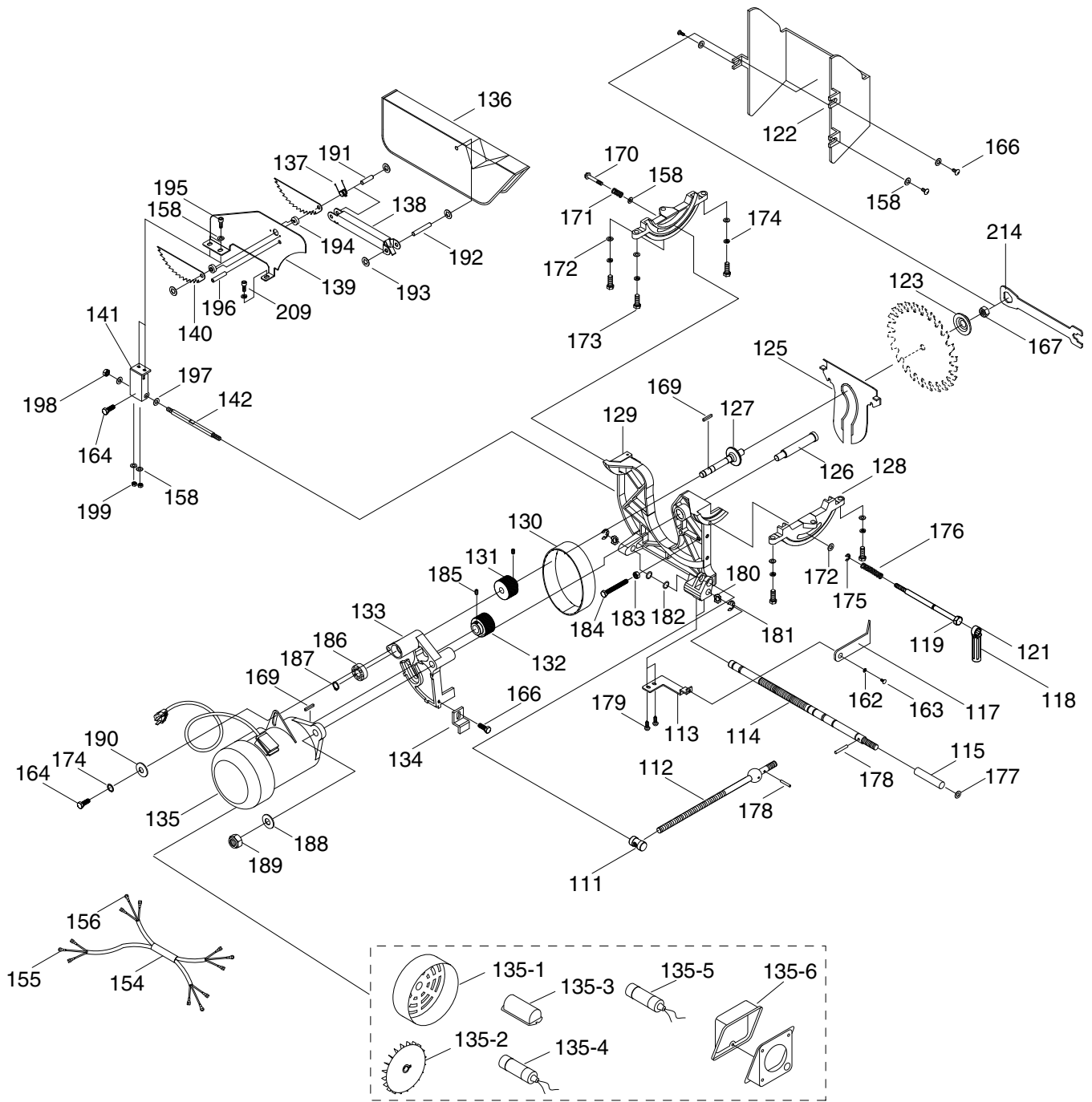


Motor, Trunnion, Splitter, and Guard Diagram

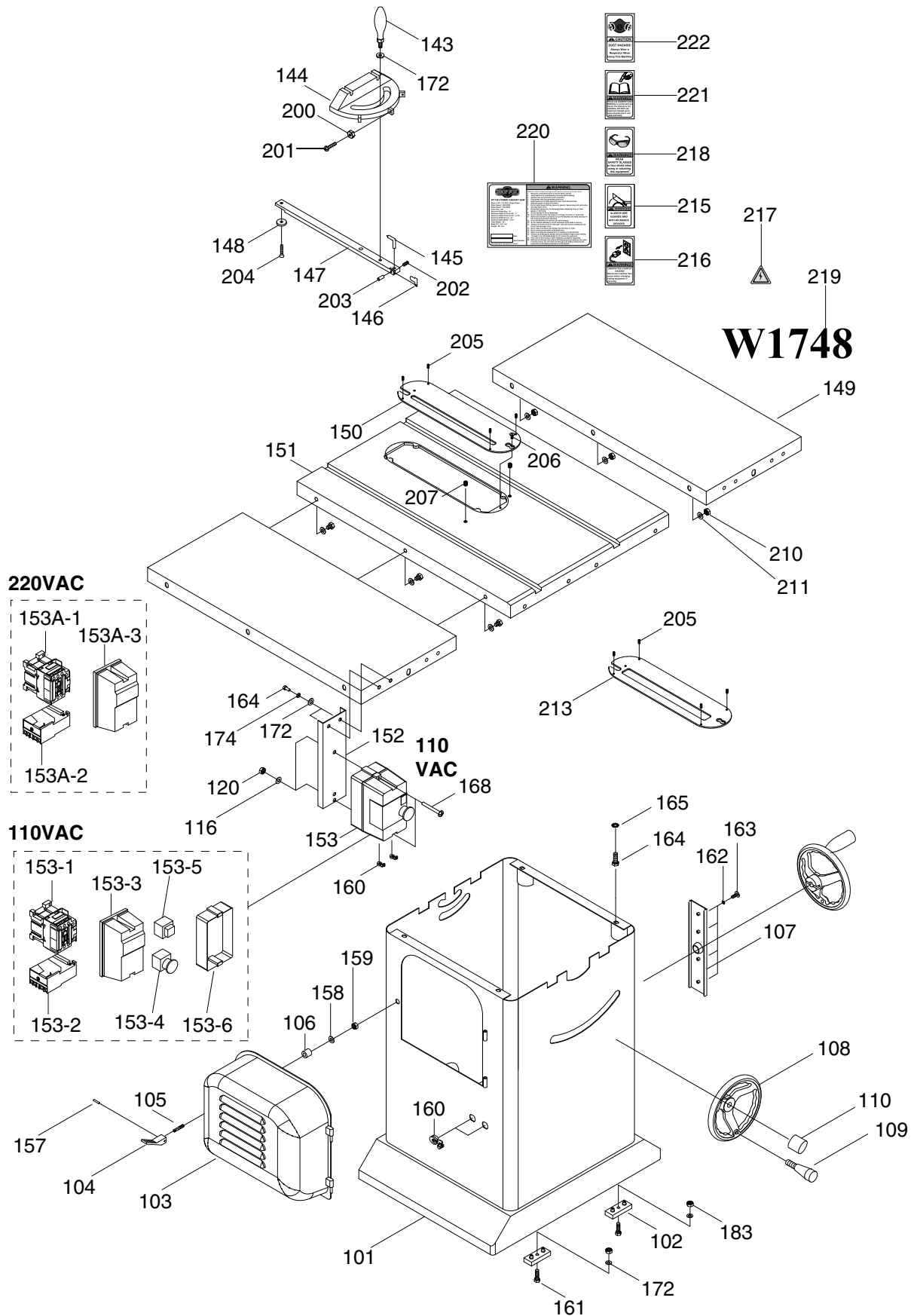


Parts List

REF	PART #	DESCRIPTION
101	X1748101	CABINET
102	X1748102	PLASTIC FOOT
103	X1748103	MOTOR COVER
104	X1748104	DOOR RELEASE LEVER
105	X1748105	THREADED ROD M6-1
106	X1748106	RUBBER BUSHING
107	X1748107	BRACKET
108	X1748108	HANDWHEEL
109	X1748109	HANDWHEEL HANDLE
110	X1748110	LOCK KNOB 1/2-12
111	X1748111	TILT LEADSCREW NUT
112	X1748112	LONG SHAFT
113	X1748113	POINTER BRACKET
114	X1748114	ELEVATION LEADSCREW
115	X1748115	SLEEVE
116	XPW03	FLAT WASHER #10
117	X1748117	POINTER
118	X1748118	LOCK SLEEVE
119	X1748119	LOCK ROD
120	XPNO7	HEX NUT 10-24
121	X1748121	LOCK HANDLE
122	X1748122	DUST COLLECTING PLATE
123	X1748123	ARBOR FLANGE
125	X1748125	MOTOR PLATE
126	X1748126	ARBOR BRACKET SHAFT
127	X1748127	MAIN ARBOR
128	X1748128	FRONT TRUNNION BRACKET
129	X1748129	MAIN TRUNNION
130	X1748130	BELT 150J X 12
131	X1748131	ARBOR PULLEY
132	X1748132	MOTOR PULLEY
133	X1748133	ARBOR BRACKET
134	X1748134	UPPER FIXER
135	X1748135	MOTOR

REF	PART #	DESCRIPTION
135-1	X1748135-1	MOTOR FAN COVER
135-2	X1748135-2	MOTOR FAN
135-3	X1748135-3	CAPACITOR COVER
135-4	X1748135-4	CAPACITOR 30MFD 250VAC
135-5	XPC400A	CAPACITOR 400MFD 125VAC
135-6	X1748135-6	WIRING BOX
136	X1748136	BLADE GUARD
137	X1748137	TORSION SPRING
138	X1748138	SUPPORT ARM
139	X1748139	SPLITTER
140	X1748140	ANTI-KICK PLATE
141	X1748141	SPLITTER BRACKET
142	X1748142	SPLITTER ROD
143	X1748143	MITER GAUGE HANDLE
144	X1748144	MITER GAUGE BODY
145	X1748145	POINTER
146	X1748146	LOCATING PLATE
147	X1748147	MITER BAR
148	X1748148	SPECIAL WASHER 1/4
149	X1748149	SOLID EXTENSION WING
150	X1748150	TABLE INSERT
151	X1748151	TABLE
152	X1748152	SWITCH BRACKET
153	X1748153	MAG SWITCH ASSY 110V
153-1	X1748153-1	CONTACTOR 110V
153-2	X1748153-2	RELAY 110V
153-3	X1748153-3	FRONT COVER
153-4	X1748153-4	STOP BUTTON
153-5	X1748153-5	START BUTTON
153-6	X1748153-6	BACK COVER
153A	X1748153A	MAG SWITCH ASSY 220V
153A-1	X1748153A-1	CONTACTOR 220V
153A-2	X1748153A-2	RELAY 220V

Table, Cabinet, and Electrical Switch Diagram



Parts List

REF	PART #	DESCRIPTION
154	X1748154	CORD SLEEVE
155	X1748155	PWR CORD 110V, LNG W/PLUG
156	X1748156	PWR CORD 110V, SHORT
157	XPRP64M	ROLL PIN 3 X 18
158	XPW06	FLAT WASHER 1/4
159	X1748159	NYLON NUT M6-1
160	X1748160	STRAIN RELIEF
161	XPS79	PHLP HD SCR 5/16-18 X 5/8
162	X1748162	FLAT WASHER #8
163	XPS24	PHLP HD SCR 8-32 X 3/8
164	XPB32	HEX BOLT 5/16-18 X 5/8
165	X1748165	EXT TOOTH WASHER 8MM
166	XPS04	PHLP HD SCR 1/4-20 X 1/2
167	X1748167	FLANGE NUT 5/8-12
168	X1748168	FLANGE SCREW 10-24 X 9/16
169	XPK14M	KEY 5 X 5 X 18
170	X1748170	SPECIAL BOLT 1/4-20 X 40
171	X1748171	COMPRESSION SPRING
172	XPLW01	LOCK WASHER 5/16"
173	XPB03	HEX BOLT 5/16-18 X 1
174	XPLW01	LOCK WASHER 5/16"
175	XPR01M	EXT RETAINING RING 10MM
176	X1748176	COMPRESSION SPRING
177	XPW10M	FLAT WASHER 14MM
178	XPRP28M	ROLL PIN 5 X 40
179	XPS103	PHLP HD SCR 1/4-20 X 5/16
180	X1748180	WAVY WASHER 16MM
181	XPR06M	EXT RETAINING RING 16MM
182	X1748182	C RING
183	XPN02	HEX NUT 5/16-18
184	XPB04	HEX BOLT 5/16-18 X 3
185	XPSS07	SET SCREW 1/4-20 X 1/2
186	X1748186	BALL BEARING 6202
187	XPR05M	EXT RETAINING RING 15MM

REF	PART #	DESCRIPTION
188	XPW14	FLAT WASHER 5/8
189	X1748189	NYLON NUT 5/8-11
190	XPW07	FLAT WASHER 5/16"
191	X1748191	SHORT PIN 6 X 33
192	X1748192	LONG PIN 6 X 47
193	X1748193	RETAINER
194	X1748194	SPACER
195	XPSB03	CAP SCREW 5/16-18 X 1
196	XPRP07M	ROLL PIN 6 X 20
197	XPW01	FLAT WASHER 1/2"
198	XPN13	HEX NUT 1/2-13
199	XPN02	HEX NUT 5/16-18
200	XPN14	HEX NUT 8-32
201	X1748201	PHLP HD SCR 8-32 X 1/2
202	XPSS11	SET SCREW 1/4-20 X 1/4
203	XPRP14M	ROLL PIN 3 X 6
204	XPFH19	FLAT HD SCR 1/4-20 X 3/8
205	X1748205	SET SCREW 10-24 X 3/16
206	X1748206	FLAT HD SCR 10-24 X 3/4
207	XPSS38	SET SCREW 5/16-18 X 5/8
209	XPSB03	CAP SCREW 5/16-18 X 1
210	XPB24	HEX BOLT 3/8-16 X 1-1/4
211	XPW02	FLAT WASHER 3/8"
213	X1748213	DADO INSERT
214	X1748214	ARBOR WRENCH 12 X 23
215	X1748215	BLADE GUARD LABEL
216	X1748216	UNPLUG TABLE SAW LABEL
217	X1748217	ELECTRICITY LABEL
218	X1748218	SAFETY GLASSES 2" X 3 5/16"
219	X1748219	MODEL NUMBER LABEL
220	X1748220	MACHINE ID LABEL
221	X1748221	READ MANUAL 2"W X 3 5/16"
222	X1748222	RESPIRATOR LABEL