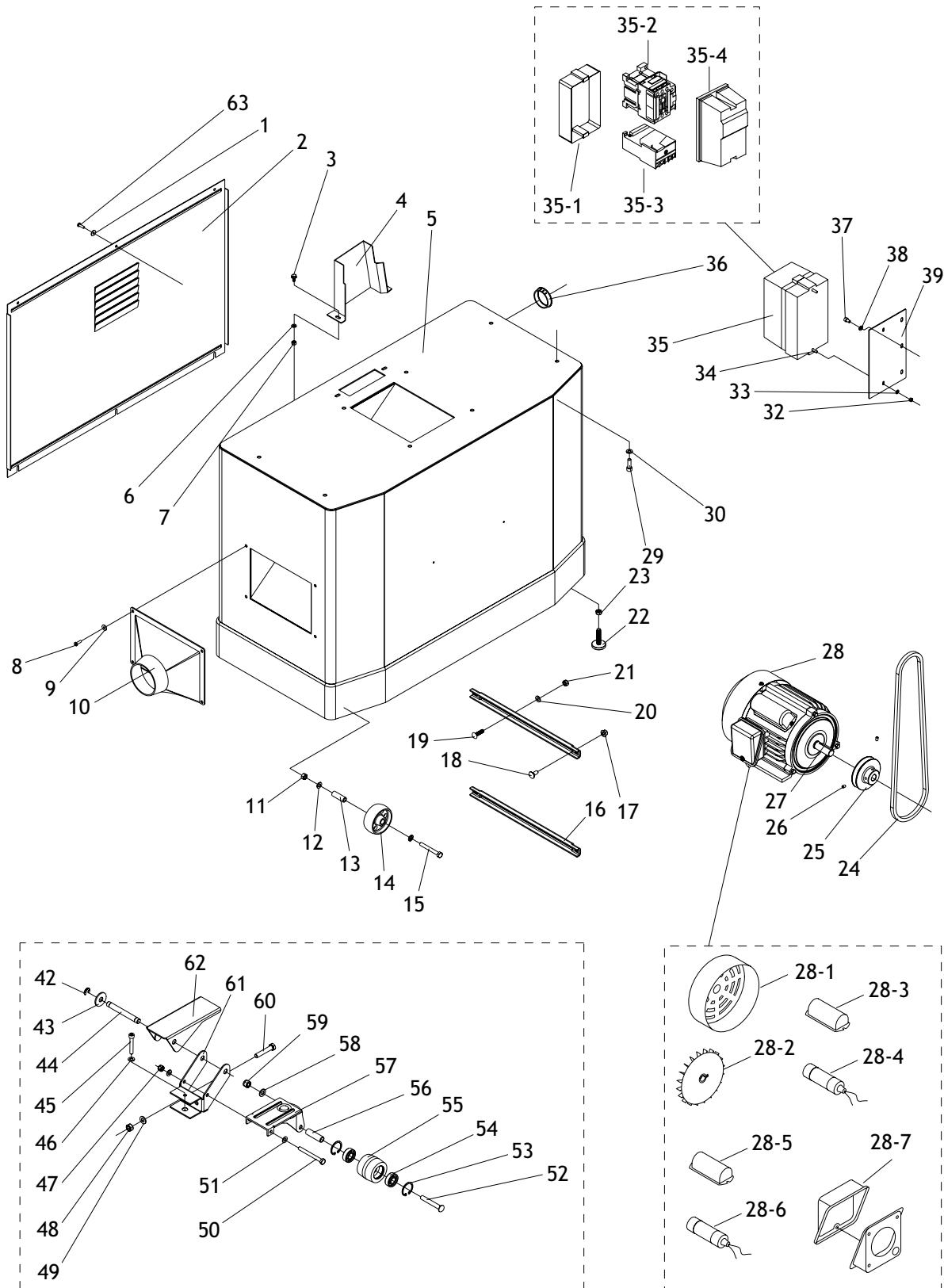


Stand Breakdown

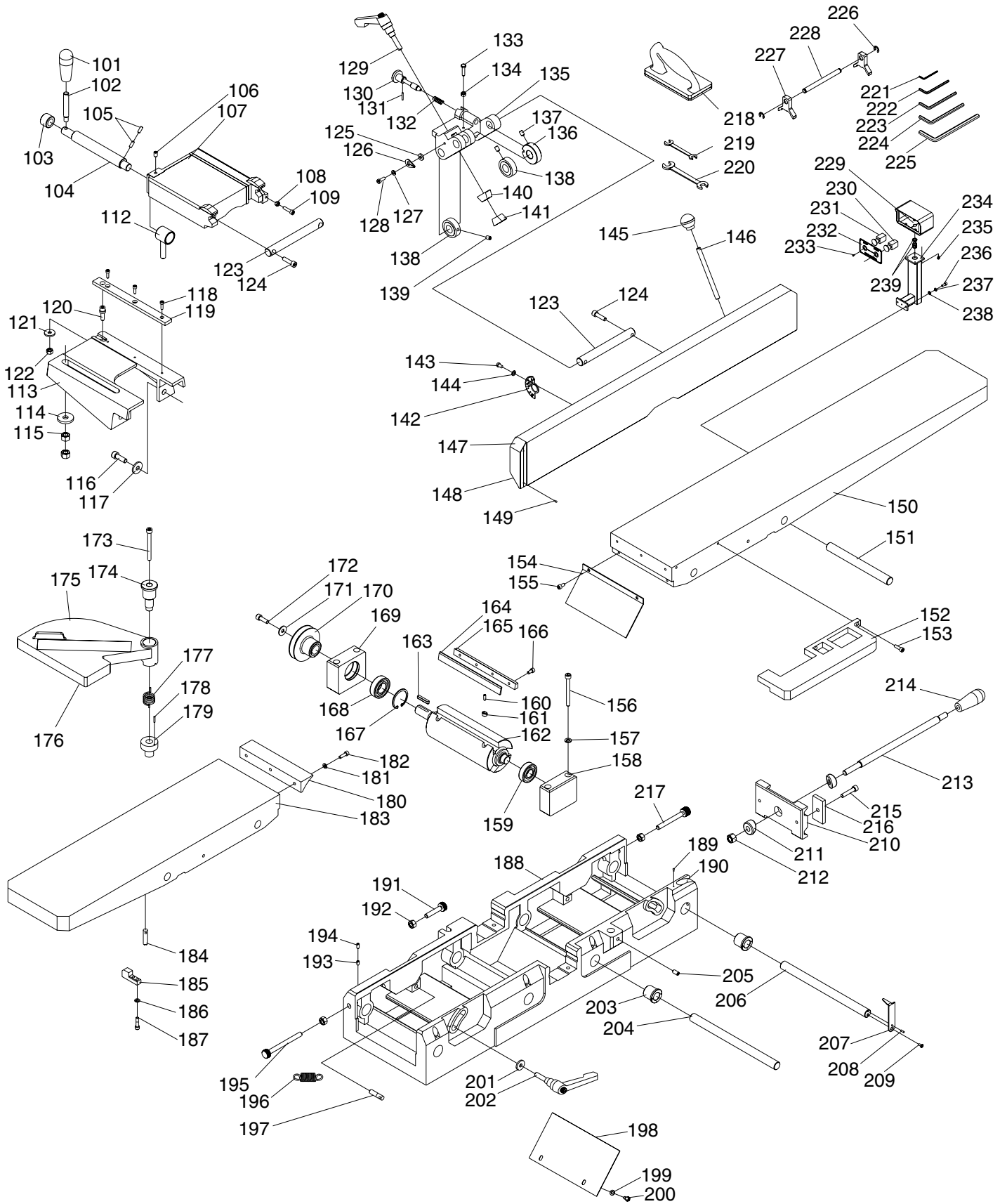


Stand Parts List

REF	PART #	DESCRIPTION
1	XPW02M	FLAT WASHER 5MM
2	X1741002	PANEL
3	XPFS02M	FLANGE SCREW M6-1 X 12
4	X1741004	BELT GUARD
5	X1741005	CABINET STAND
6	XPW03M	FLAT WASHER 6MM
7	XPN01M	HEX NUT M6-1
8	XPS40M	PHLP HD SCR M5-.8 X 16
9	XPW02M	FLAT WASHER 5MM
10	X1741010	DUST PORT
11	XPN03M	HEX NUT M8-1.25
12	XPW01M	FLAT WASHER 8MM
13	X1741013	SLEEVE
14	X1741014	WHEEL
15	XPB86M	HEX BOLT M8-1.25 X 65
16	X1741016	MOTOR BRACKET
17	X1741017	MOTOR BRACKET NUT
18	X1741018	MOTOR BRACKET SCREW
19	X1741019	MOTOR CARRIAGE SCREW
20	X1741020	MOTOR CARRIAGE WASHER
21	X1741021	MOTOR CARRIAGE NUT
22	X1741022	ADJUSTING SCREW
23	XPN08	HEX NUT 3/8-16
24	XPVA45	V-BELT A-45 4L450
25	X1741025	MOTOR PULLEY
26	XPSS02M	SET SCREW M6-1 X 6
27	XPK12M	KEY 5 X 5 X 30
28	X1741028	3 HP MOTOR
28-1	X1741028-1	MOTOR FAN COVER
28-2	X1741028-2	MOTOR FAN
28-3	X1741028-3	CAPACITOR COVER
28-4	XPC300S	S CAPACITOR 300M 125V
28-5	X1741028-5	CAPACITOR COVER
28-6	X1741028-6	R CAPACITOR 40M 250V
28-7	X1741028-7	JUNCTION BOX
29	XPSB31M	CAP SCREW M8-1.25 X 25
30	XPLW04M	LOCK WASHER 8MM
32	XPN06M	HEX NUT M5-.8
33	XPW02M	FLAT WASHER 5MM
34	XPS06M	PHLP HD SCR M5-.8 X 20

REF	PART #	DESCRIPTION
35	X1741035	MAGNETIC SWITCH ASSY
35-1	X1741035-1	SWITCH BACK COVER
35-2	X1741035-2	CONTACTOR
35-3	X1741035-3	THERMAL OVERLOAD RELAY
35-4	X1741035-4	SWITCH FRONT COVER
36	X1741036	STRAIN RELIEF
37	XPSB04M	CAP SCREW M6-1 X 10
38	XPW03M	FLAT WASHER 6MM
39	X1741039	SWITCH PLATE
42	XPR16M	EXT RETAINING RING 9MM
43	XPW06M	FLAT WASHER 12MM
44	X1741044	SHAFT
45	XPB22M	HEX BOLT M8-1.25 X 50
46	XPW01M	FLAT WASHER 8MM
47	XPN03M	HEX NUT M8-1.25
48	XPN02M	HEX NUT M10-1.5
49	XPW04M	FLAT WASHER 10MM
50	XPB45M	HEX BOLT M8-1.25 X 100
51	XPW01M	FLAT WASHER 8MM
52	X1741052	SPECIAL BOLT
53	XPR21M	INT RETAINING RING 35MM
54	XP6202	BALL BEARING 6202Z
55	X1741055	TROLLEY WHEEL
56	X1741056	SLEEVE
57	X1741057	TROLLEY BRACKET
58	XPW04M	FLAT WASHER 10MM
59	XPN02M	HEX NUT M10-1.5
60	XPB144M	HEX BOLT M10-1.5 X 55
61	X1741061	PEDAL BRACKET
62	X1741062	PEDAL
63	XPS40M	PHLP HD SCR M5-.8 X 16
64	X1741063	TROLLEY WHEEL
65	X1741064	SLEEVE
66	X1741065	TROLLEY BRACKET
67	XPW04M	FLAT WASHER 10MM
68	XPN02M	HEX NUT M10-1.5
69	XPB144M	HEX BOLT M10-1.5 X 55
70	X1741069	PEDAL BRACKET
71	X1741070	PEDAL

Jointer Breakdown



PARTS

Jointer Parts List

REF	PART #	DESCRIPTION
101	X1741101	KNOB M10-1.5
102	X1741102	STUD
103	X1741103	BUSHING
104	X1741104	ECCENTRIC SHAFT
105	XPSS11M	SET SCREW M6-1 X 16
106	XPSS14M	SET SCREW M8-1.25 X 12
107	X1741107	FENCE CARRIAGE
108	XPN01M	HEX NUT M6-1
109	XPB10M	HEX BOLT M6-1 X 25
112	X1741112	COLLAR
113	X1741113	SUPPORT
114	XPW06M	FLAT WASHER 12MM
115	XPN09M	HEX NUT M12-1.75
116	XPSB72M	CAP SCREW M10-1.5 X 30
117	XPW04M	FLAT WASHER 10MM
118	XPSB24M	CAP SCREW M5-.8 X 16
119	X1741119	GIB
120	X1741120	ECCENTRIC STUD
121	XPW01M	FLAT WASHER 8MM
122	XPN03M	HEX NUT M8-1.25
123	X1741123	SHAFT
124	XPSB13M	CAP SCREW M8-1.25 X 30
125	XPW03M	FLAT WASHER 6MM
126	X1741126	POINTER
127	XPW03M	FLAT WASHER 6MM
128	XPS11M	BUTTON HD CAP SCREW M6-1 X 16
129	X1741129	LOCK LEVER M10-1.5 X 35
130	X1741130	INDES PIN ASSEMBLY
131	XPRP42M	ROLL PIN 3 X 20
132	X1741132	COMPRESSION SPRING
133	XPB10M	HEX BOLT M6-1 X 25
134	XPN01M	HEX NUT M6-1
135	X1741135	SWIVEL
136	X1741136	COLLAR
137	XPSS14M	SET SCREW M8-1.25 X 12
138	X1741138	LOCK
139	XPSS14M	SET SCREW M8-1.25 X 12
140	X1741140	CLAMP
141	X1741141	THREAD CLAMP
142	X1741142	TILT SCALE
143	XPS68M	PHLP HD SCR M6-1 X 10
144	XPW03M	FLAT WASHER 6MM
145	X1741145	BALL KNOB M10-1.5
146	X1741146	STUD

REF	PART #	DESCRIPTION
147	X1741147	FENCE
148	X1741148	SCALE
149	X1741149	RIVET
150	X1741150	INFEED TABLE
151	X1741151	TABLE SHAFT
152	X1741152	TABLE EXTENSION
153	XPSB02M	CAP SCREW M6-1 X 20
154	X1741154	CHIP DEFLECTOR
155	XPSB26M	CAP SCREW M6-1 X 12
156	XPSB148M	CAP SCREW M8-1.25 X 80
157	XPLW04M	LOCK WASHER 8MM
158	X1741158	BEARING BLOCK LH
159	XP60042RS	BALL BEARING 6004 2RS
160	XPSS34M	SET SCREW M5-.8 X 16
161	X1741161	KNIFE LIFTER
162	X1741162	CUTTERHEAD
163	XPK74M	KEY 6 X 6 X 35
164	X1741164	KNIFE (SET OF 4)
165	X1741165	GIB
166	X1741166	GIB SCREW
167	XPR25M	INT RETAINING RING 47MM
168	XP60052RS	BALL BEARING 6005 2RS
169	X1741169	BEARING BLOCK RH
170	X1741170	CUTTERHEAD PULLEY
171	XPW01M	FLAT WASHER 8MM
172	XPSB31M	CAP SCREW M8-1.25 X 25
173	X1741173	CAP SCREW M8-1.25 X 80
174	X1741174	GUARD CLAMP
175	X1741175	CUTTERHEAD GUARD
176	X1741176	GUARD WARNING LABEL
177	X1741177	TORSION SPRING
178	X1741178	ROLL PIN 3 X 16
179	X1741179	SUPPORT
180	X1741180	TABLE LIP
181	XPW03M	FLAT WASHER 6MM
182	XPSB02M	CAP SCREW M6-1 X 20
183	X1741183	OUTFEED TABLE
184	X1741184	SPRING PIN
185	X1741185	BUMPER
186	XPLW03M	LOCK WASHER 6MM
187	XPSB06M	CAP SCREW M6-1 X 25
188	X1741188	BASE
189	X1741189	RIVET
190	X1741190	SCALE

Jointer Parts List

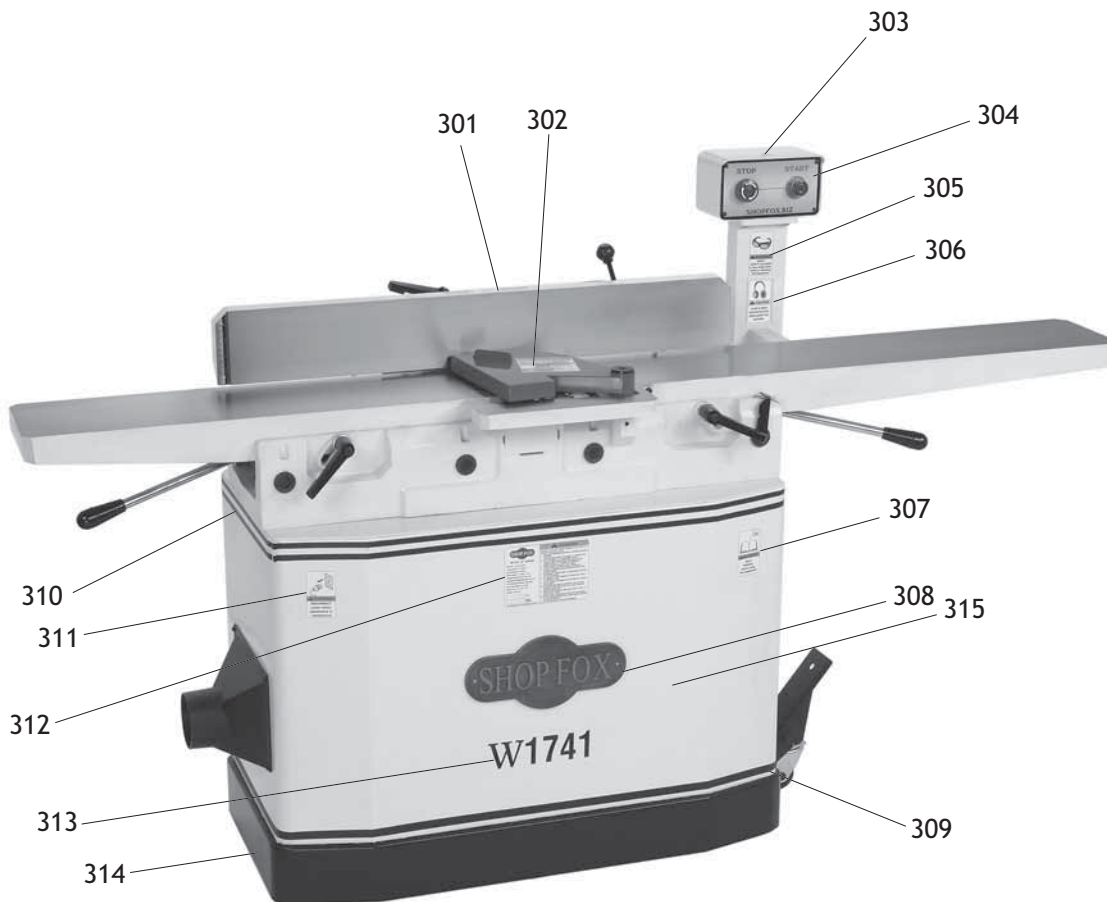
REF	PART #	DESCRIPTION
191	X1741191	SHORT ADJUSTING SCREW
192	XPN02M	HEX NUT M10-1.5
193	XPSS01M	SET SCREW M6-1 X 10
194	XPSS01M	SET SCREW M6-1 X 10
195	X1741195	LONG ADJUSTING SCREW
196	X1741196	EXTENSION SPRING
197	X1741197	SPRING PIN
198	X1741198	CHIP BREAKER
199	XPW03M	FLAT WASHER 6MM
200	XPB02M	HEX BOLT M6-1 X 12
201	XPW01M	FLAT WASHER 8MM
202	X1741202	TABLE LOCK LEVER M8-1.25 X 30
203	X1741203	ECCENTRIC BUSHING
204	X1741204	TABLE SHAFT
205	XPSS06M	SET SCREW M8-1.25 X 16
206	X1741206	TABLE SHAFT
207	X1741207	POINTER
208	XPRXP44M	ROLL PIN 3 X 10
209	XPFH19M	FLAT HD SCR M4-.7 X 10
210	X1741210	PIVOT BRACKET
211	X1741211	ADJUSTING BLOCK
212	XPN09M	HEX NUT M12-1.75
213	X1741213	LEVER
214	X1741214	HANDLE KNOB M12-1.75
215	XPSB12M	CAP SCREW M8-1.25 X 40

REF	PART #	DESCRIPTION
216	X1741216	CLAMP PLATE
217	X1741217	MEDIUM ADJUSTING SCREW
218	X1741218	PUSH BLOCK
219	X1741219	OPEN END WRENCH 8-10MM
220	X1741220	OPEN END WRENCH 12-14MM
221	XPW02.5M	HEX KEY 2.5MM
222	XPW04M	HEX KEY 4MM
223	XPW05M	HEX KEY 5MM
224	XPW06M	HEX KEY 6MM
225	XPW08M	HEX KEY 8MM
226	XPR39M	EXT RETAINING RING 8MM
227	X1741227	KNIFE GAUGE BLOCK
228	X1741228	KNIFE GAUGE ROD
229	X1741229	CONTROL BOX
230	X1741230	START BUTTON
231	X1741231	STOP BUTTON
232	X1741232	CONTROL PANEL
233	XPHEK4M	TAP SCREW M4 X 8
234	X1741234	SWITCH PEDESTAL ARM
235	X1741235	FLANGE SCREW M6-1 X 16
236	XPSB64M	CAP SCREW M10-1.5 X 25
237	XPLW06M	LOCK WASHER 10MM
238	XPW04M	FLAT WASHER 10MM
239	X1741239	BALL STRAIN RELIEF

Label/Cosmetic Parts

⚠️ WARNING

Safety labels warn about machine hazards and ways to prevent injury. The owner of this machine **MUST** maintain the original location and readability of the labels on the machine. If any label is removed or becomes unreadable, **REPLACE** that label before using the machine again.



REF	PART #	DESCRIPTION
301	X1741301	FENCE/CUTTERHEAD LABEL
302	X1741302	CUTTERHEAD GUARD LABEL
303	X1741303	ELECTRICITY LABEL
304	X1741304	CONTROL PANEL FACE
305	X1741305	SAFETY GLASSES LABEL
306	X1741306	HEARING PROTECTION LABEL
307	X1741307	READ MANUAL LABEL
308	X1741308	SHOP FOX LOGO PLATE

REF	PART #	DESCRIPTION
309	X1741309	ONE LINE STRIPING
310	X1741310	TWO LINE STRIPING
311	X1741311	UNPLUG 220V POWER LABEL
312	X1741312	MACHINE ID LABEL
313	X1741313	W1741 MODEL # LABEL
314	X1741314	BLACK TOUCH UP PAINT
315	X1741315	SF WHITE TOUCH UP PAINT