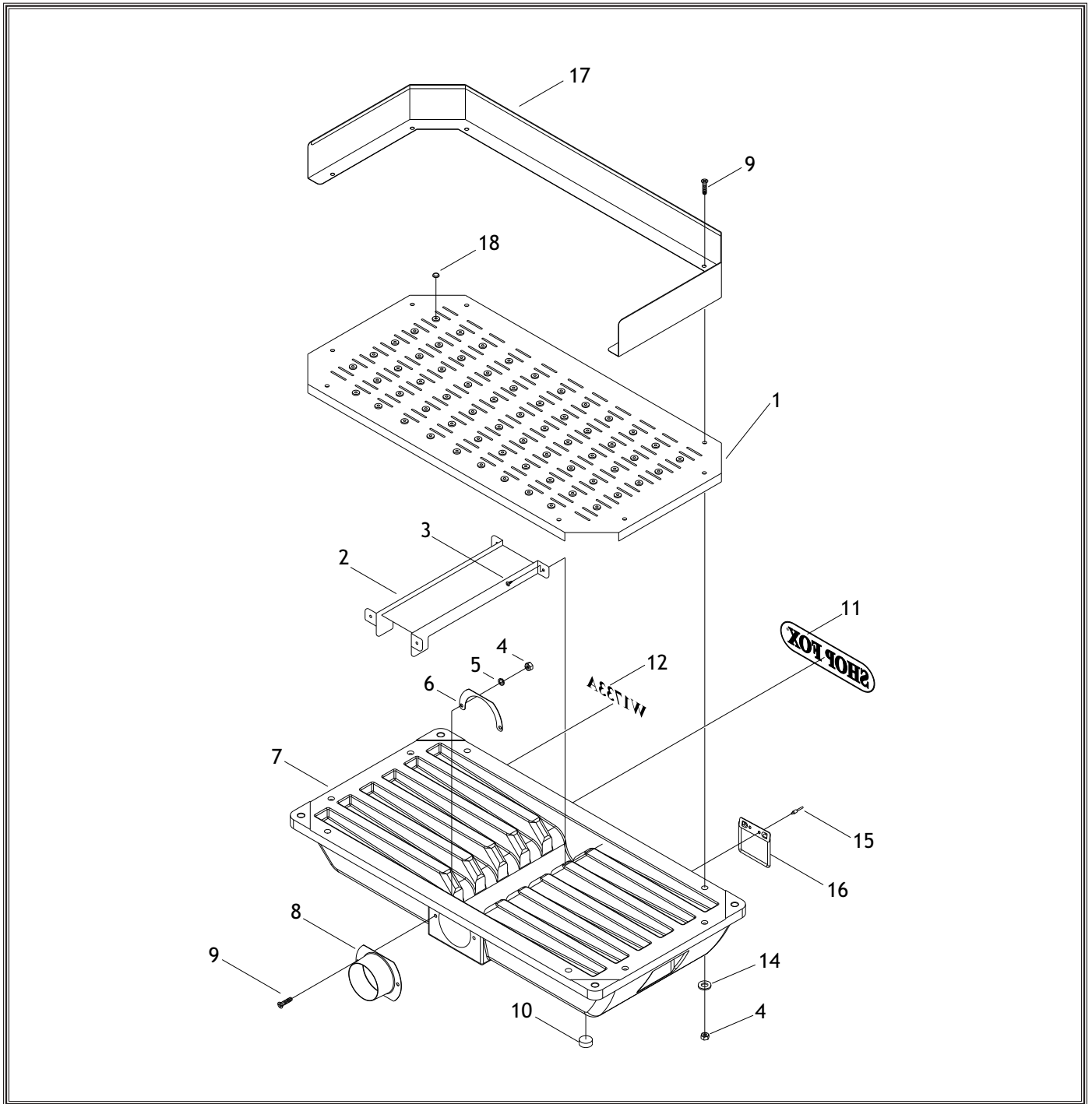


W1733A PARTS BREAKDOWN



REF	PART #	DESCRIPTION
1	X1733A001	TABLETOP
2	X1733002	DUST CHUTE
3	XPHTEK5M	TAP SCREW M4.2 x 12
4	XPN05	HEX NUT 1/4-20
5	XPLW02	LOCK WASHER 1/4
6	X1733006	REINFORCEMENT PLATE
7	X1733007	BASE
8	X1733008	DUST PORT 4"
9	XPFH12	FLAT HD SCR 1/4-20 X 1

REF	PART #	DESCRIPTION
10	X1733010	FOOT PAD
11	X1733011	SHOP FOX LOGO LABEL
12	X1733A012	MODEL NUMBER LABEL
14	XPW06	FLAT WASHER 1/4"
15	X1733015	BLIND RIVET
16	X1733016	HANDLE
17	X1733A017	DUST SKIRT
18	X1733A018	RUBBER KNOB