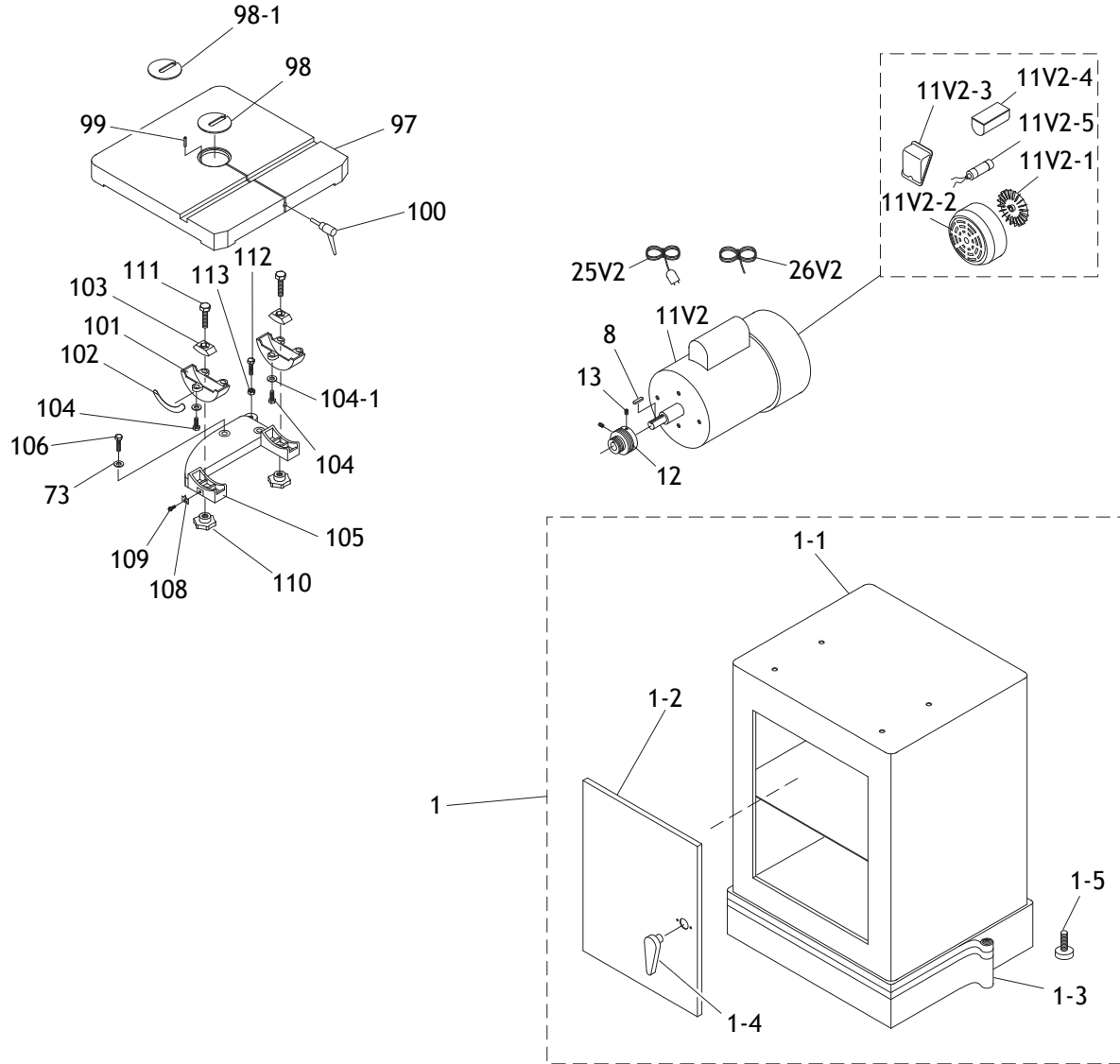


PARTS

Cabinet Stand



182

178

179

176

175

W1706

184

181

180

177

SHOP FOX

MODEL W1706 14" BANDSAW

Motor: 1 HP, 110/220V, 10SA 1-Ph, 60 Hz
Motor Speed: 1725 RPM
Blade Speeds: 1700, 3000 FPM
Blade Length: 30-42" x 1/2"
Maximum Cut Left of Blade: 13-1/2"
Maximum Height of Cut: 6"
Weight: 242 Lbs.

C US 177335 Manufactured for Woodstock in Texas

174V2

Cabinet Stand Parts List

REF	PART #	DESCRIPTION
1	X1706001	CABINET STAND ASSEMBLY
1-1	X1706001-1	CABINET STAND
1-2	X1706001-2	CABINET DOOR
1-3	X1706001-3	BOTTOM BLACK STRIPE
1-4	X1706001-4	HANDLE
1-5	X1706001-5	CABINET RUBBER FOOT
8	X1706008	KEY 5 X 5 X 25
11V2	X1706011V2	MOTOR 1HP 110V/220V 1PH V2.03.19
11V2-1	X1706011V2-1	MOTOR FAN V2.03.19
11V2-2	X1706011V2-2	MOTOR FAN COVER V2.03.19
11V2-3	X1706011V2-3	MOTOR JUNCTION BOX V2.03.19
11V2-4	X1706011V2-4	CAPACITOR COVER V2.03.19
11V2-5	X1706011V2-5	S CAPACITOR 300M 125V V2.03.19
12	X1706012	MOTOR PULLEY
13	X1706013	SET SCREW 1/4-20 X 1/2
25V2	X1706025V2	POWER CORD 16G 3C 5-15 V2.08.10
26V2	X1706026V2	MOTOR CORD 16G 3C V2.08.10
73	X1706073	LOCK WASHER 5/16
97	X1706097	TABLE
98	X1706098	LARGE TABLE INSERT
98-1	X1706098-1	SMALL TABLE INSERT
99	X1706099	ROLL PIN 3 X 8
100	X1706100	TABLE LOCK PIN

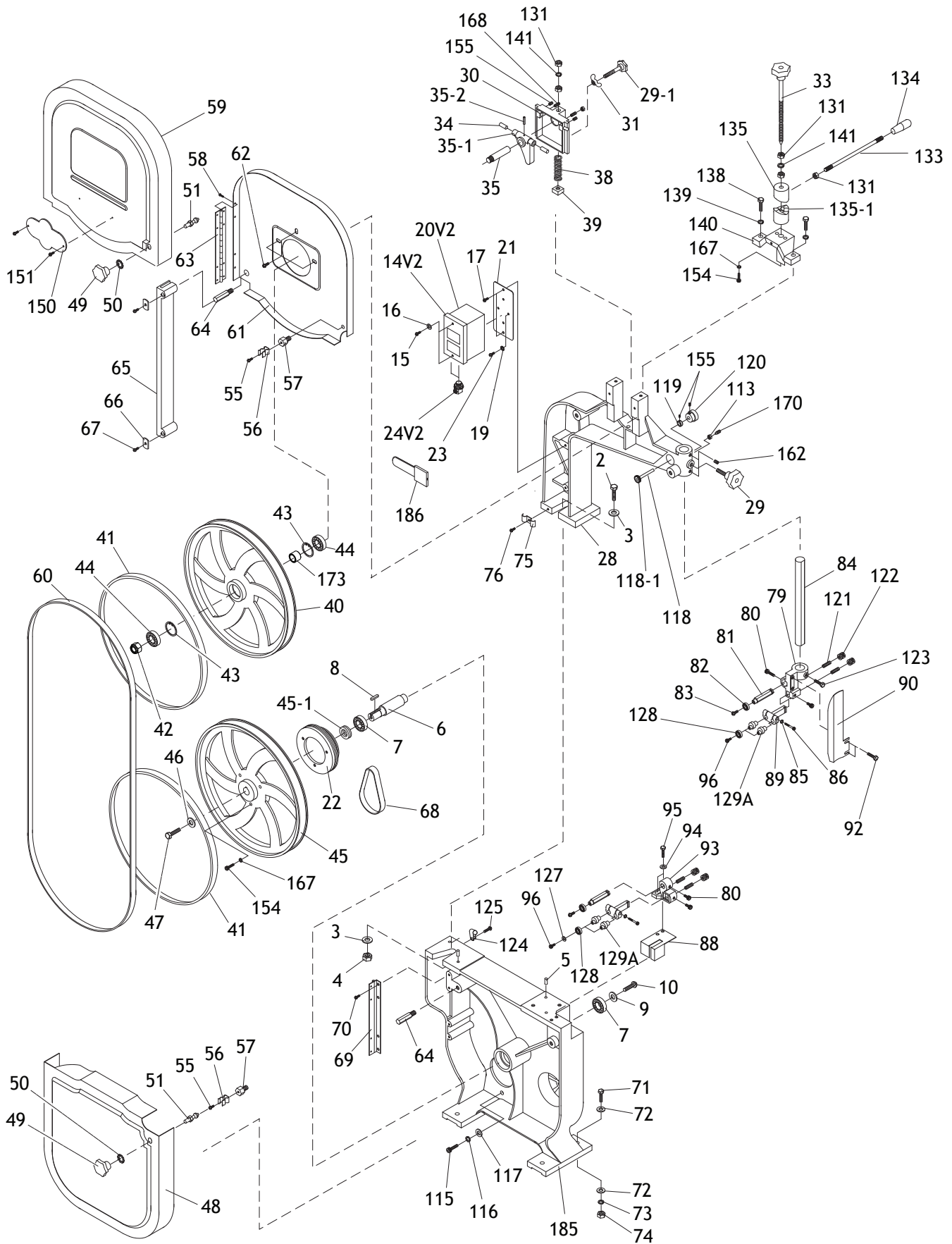
REF	PART #	DESCRIPTION
101	X1706101	TRUNNION
102	X1706102	TILT SCALE
103	X1706103	TRUNNION CLAMP SHOE
104	X1706104	HEX BOLT 1/4-20 X 1/2
104-1	X1706104-1	FLAT WASHER 1/4
105	X1706105	TRUNNION BASE
106	X1706106	HEX BOLT 5/16-18 X 1-1/4
108	X1706108	POINTER
109	X1706109	PHLP HD SCR 10-24 X 1/4
110	X1706110	TRUNNION LOCK KNOB 3/8-16
111	X1706111	HEX BOLT 3/8-16 X 2
112	X1706112	HEX BOLT 5/16-18 X 1-3/4
113	X1706113	HEX NUT 5/16-18
174V2	X1706174V2	MACHINE ID LABEL CSA V2.08.10
175	X1706175	ELECTRICITY LABEL LARGE
176	X1706176	ELECTRICITY LABEL SMALL
177	X1706177	CLOSE DOOR WARNING LABEL
178	X1706178	BANDSAW ADJUST LABEL
179	X1706179	BLADE DIRECTION LABEL
180	X1706180	UNPLUG WARNING LABEL
181	X1706181	RESPIRATOR WARNING LABEL
182	X1706182	READ MANUAL LABEL SMALL
184	X1706184	MODEL NUMBER LABEL

Body Parts List

REF	PART #	DESCRIPTION
2	X1706002	HEX BOLT 5/8-11 X 2-1/2
3	X1706003	FLAT WASHER 5/8
4	X1706004	HEX NUT 5/8-11
5	X1706005	GUIDE PIN 6 X 5MM
6	X1706006	LOWER WHEEL SHAFT
7	X1706007	BALL BEARING 6204-2RS
8	X1706008	KEY 5 X 5 X 25
9	X1706009	FLAT WASHER 5/16
10	X1706010	HEX BOLT 5/16-18 X 3/4
14V2	X1706014V2	PUSH BUTTON SWITCH V2.08.10
15	X1706015	TAP SCREW #10 X 3/4
16	X1706016	FLAT WASHER #10
17	X1706017	PHLP HD SCR 10-24 X 1/2
19	X1706019	EXT TOOTH WASHER #10
20V2	X1706020V2	SWITCH BOX V2.08.10
21	X1706021	SWITCH BRACKET

REF	PART #	DESCRIPTION
22	X1706022	WHEEL PULLEY
23	X1706023	PHLP HD SCR 10-24 X 5/8
24V2	X1706024V2	STRAIN RELIEF V2.08.10
28	X1706028	UPPER FRAME ARM
29	X1706029	KNOB BOLT 5/16-18 X 3/4
29-1	X1706029-1	KNOB BOLT 5/16-18 X 2
30	X1706030	TENSION SPRING HOUSING
31	X1706031	WING NUT 5/16-18
33	X1706033	TENSION BOLT 3/8-16 X 11-5/8
34	X1706034	PIVOT PIN
35	X1706035	UPPER WHEEL SHAFT
35-1	X1706035-1	SHAFT BRACKET
35-2	X1706035-2	ROLL PIN 4 X 30
38	X1706038	TENSION SPRING 3.8 X 76
39	X1706039	INDICATOR NUT 3/8 X 16
40	X1706040	UPPER WHEEL

Body

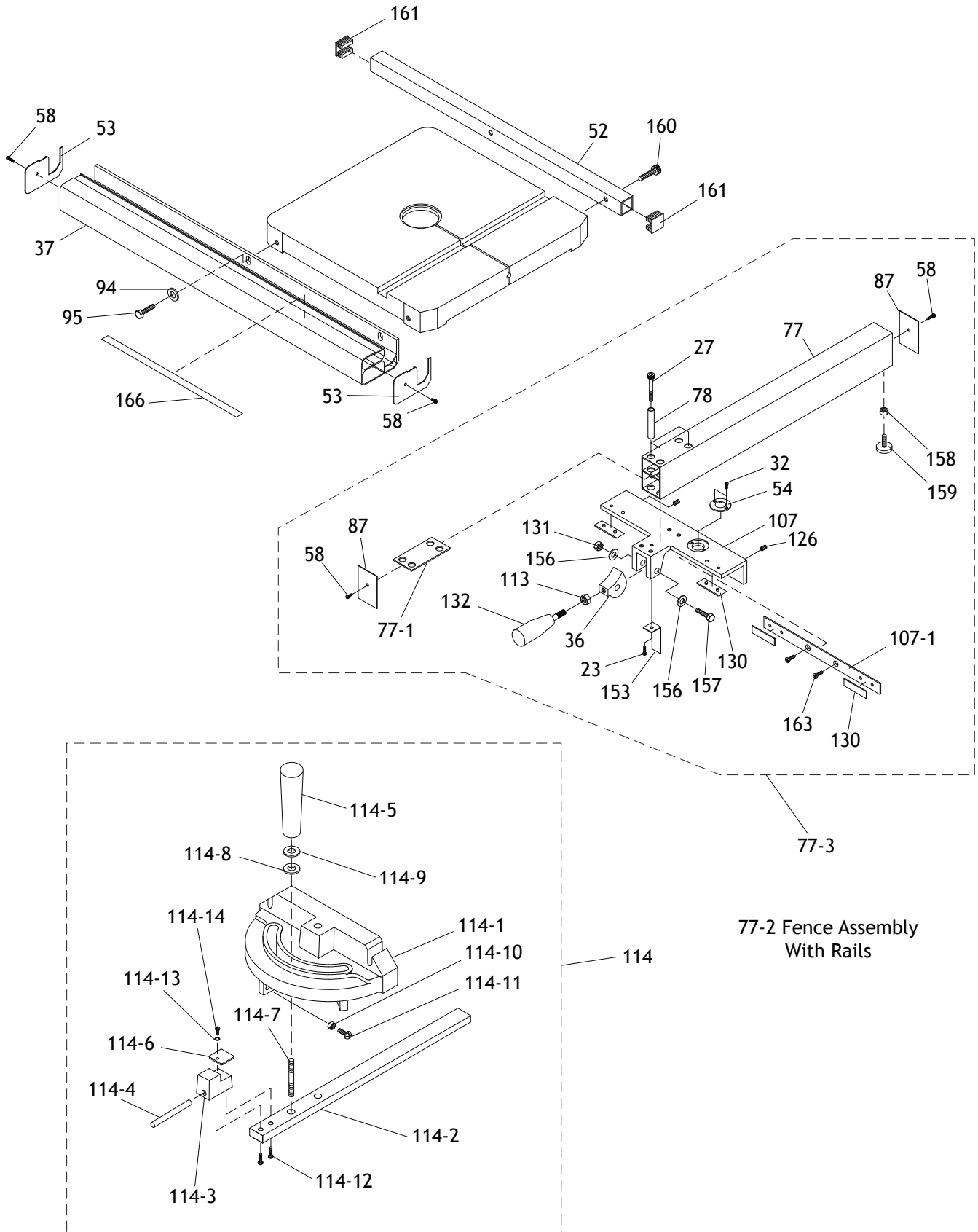


Body Parts List

REF	PART #	DESCRIPTION
41	X1706041	WHEEL TIRE
42	X1706042	LOCK NUT 1/2-20 THIN
43	X1706043	INT RETAINING RING 35MM
44	X1706044	BALL BEARING 6202-2RS
45	X1706045	LOWER WHEEL
45-1	X1706045-1	SHIM 19 X 29 X 1MM BRASS
46	X1706046	LOWER WHEEL FLAT WASHER 5/16
47	X1706047	HEX BOLT 5/16-18 X 3/4 LH
48	X1706048	LOWER WHEEL COVER
49	X1706049	WHEEL COVER KNOB 5/16-18
50	X1706050	INT TOOTH WASHER 8MM
51	X1706051	STUD LATCH
55	X1706055	PHLP HD SCR 10-24 X 1/2
56	X1706056	CATCH
57	X1706057	LOCATING BOLT 3/8-16 X 1-3/32
58	X1706058	TAP SCREW #8 X 3/8
59	X1706059	UPPER WHEEL COVER
60	X1706060	SAW BLADE 6TPI X 93-1/2 X 3/8
61	X1706061	UPPER WHEEL HOUSING
62	X1706062	FLANGE SCREW 10-24 X 5/16
63	X1706063	UPPER WHEEL COVER HINGE
64	X1706064	BLADE GUARD STUD
65	X1706065	BLADE GUARD
66	X1706066	FLAT WASHER 28 X 16 X 2
67	X1706067	TAP SCREW #10 X 1/2
68	X1706068	MULTI-GROOVE BELT 200J5
69	X1706069	LOWER WHEEL COVER HINGE
70	X1706070	PHLP HD SCR 10-24 X 3/8
71	X1706071	HEX BOLT 5/16-18 X 1-1/2
72	X1706072	FLAT WASHER 5/16
73	X1706073	LOCK WASHER 5/16
74	X1706074	HEX NUT 5/16-18
75	X1706075	DOUBLE CORD CLAMP
76	X1706076	PHLP HD SCR 10-24 X 1/2
79	X1706079	UPPER BLADE GUIDE CASTING
80	X1706080	THUMBSCREW 1/4-20 X 1/4
81	X1706081	BEARING ARBOR 1/4-20
82	X1706082	BALL BEARING 6000ZZ
83	X1706083	FLANGE SCREW 1/4-20 X 3/8
84	X1706084	GUIDE POST
85	X1706085	LOCK WASHER #10
86	X1706086	CAP SCREW 10-24 x 1-1/4
88	X1706088	LOWER BLADE GUIDE BRACKET

REF	PART #	DESCRIPTION
89	X1706089	GUIDE SHAFT BRACKET
90	X1706090	GUIDE POST GUARD
92	X1706092	PHLP HD SCR 10-24 X 3/8
93	X1706093	LOWER BLADE GUIDE CASTING
94	X1706094	FLAT WASHER 1/4
95	X1706095	HEX BOLT 1/4-20 X 3/4
96	X1706096	CAP SCREW 10-32 X 1/4
113	X1706113	HEX NUT 5/16-18
115	X1706115	HEX BOLT 5/16-18 X 1
116	X1706116	LOCK WASHER 5/16
117	X1706117	FLAT WASHER 5/16
118	X1706118	PINION SHAFT
118-1	X1706118-1	PINION GEAR
119	X1706119	LOCK COLLAR
120	X1706120	KNURLED KNOB 1/4-24
121	X1706121	SET SCREW 5/16-24 X 1-3/4
122	X1706122	KNURLED KNOB 5/16-24
123	X1706123	CAP SCREW 1/4-20 X 5/8
124	X1706124	CORD CLAMP 3/4"
125	X1706125	PHLP HD SCR 10-24 X 1/2
127	X1706127	FLAT WASHER #10
128	X1706128	BALL BEARING 608-2RS
129A	X1706129A	ECCENTRIC SHAFT 3/8" V2.09.04
131	X1706131	HEX NUT 3/8-16
133	X1706133	QUICK RELEASE LEVER
134	X1706134	LEVER KNOB
135	X1706135	UPPER CLUTCH
135-1	X1706135-1	LOWER CLUTCH
138	X1706138	HEX BOLT 5/16-18 X 1-1/4
139	X1706139	LOCK WASHER 5/16
140	X1706140	CLUTCH SUPPORT BRACKET
141	X1706141	LOCK WASHER 3/8
150	X1706150	SHOP FOX LOGO
151	X1706151	TAP SCREW #4 X 3/8
154	X1706154	CAP SCREW 1/4-20 X 1
155	X1706155	SET SCREW 1/4-20 X 5/16
162	X1706162	BALL PLUNGER 1/4-20 X 1/2
167	X1706167	LOCK WASHER 1/4
168	X1706168	SET SCREW 1/4-20 X 3/4
170	X1706170	DOG POINT SET SCREW 1/4-20 X 1/2
173	X1706173	BUSHING
185	X1706185	LOWER FRAME
186	X1706186	SWITCH PADLOCK

Fence & Miter Gauge



Fence & Miter Gauge Parts List

REF	PART #	DESCRIPTION
23	X1706023	PHLP HD SCR 10-24 X 5/8
27	X1706027	CAP SCREW 1/4-20 X 2-1/2
32	X1706032	PHLP HD SCR 8-32 X 1-1/4
36	X1706036	LOCK CAM
37	X1706037	FRONT FENCE RAIL
52	X1706052	REAR FENCE RAIL
53	X1706053	FRONT RAIL END CAP
54	X1706054	FENCE POINTER LENS
58	X1706058	TAP SCREW #8 X 3/8
77	X1706077	FENCE TUBE
77-1	X1706077-1	FENCE INSET PLATE
77-2	X1706077-2	FENCE ASSEMBLY W/RAILS
77-3	X1706077-3	FENCE ASSEMBLY W/O RAILS
78	X1706078	SLEEVE
87	X1706087	FENCE END CAP
94	X1706094	FLAT WASHER 1/4
95	X1706095	HEX BOLT 1/4-20 X 3/4
107	X1706107	FENCE CARRIAGE
107-1	X1706107-1	LOCKING PLATE
113	X1706113	HEX NUT 5/16-18
114	X1706114	MITER GAUGE ASSEMBLY
114-1	X1706114-1	MITER GAUGE BODY
114-2	X1706114-2	MITER BAR
114-3	X1706114-3	STOP BLOCK

REF	PART #	DESCRIPTION
114-4	X1706114-4	STOP DOWEL
114-5	X1706114-5	HANDLE 1/4-20
114-6	X1706114-6	POINTER
114-7	X1706114-7	STUD 1/4-20 X 1-1/8
114-8	X1706114-8	PLASTIC FLAT WASHER 1/4"
114-9	X1706114-9	FLAT WASHER 1/4
114-10	X1706114-10	HEX NUT 10-24
114-11	X1706114-11	PHLP HD SCR 10-24 X 3/4
114-12	X1706114-12	PHLP HD SCR 10-24 X 1/4
114-13	X1706114-13	FLAT WASHER 5MM
114-14	X1706114-14	PHLP HD SCR 10-24 X 1/4
126	X1706126	SET SCREW 5/16-18 X 3/8
130	X1706130	BEARING PAD
131	X1706131	HEX NUT 3/8-16
132	X1706132	FENCE LOCK LEVER 5/16-18 X 5/8
153	X1706153	CAM WEAR PLATE
156	X1706156	FLAT WASHER 3/8
157	X1706157	HEX BOLT 3/8-16 X 2
158	X1706158	HEX NUT M6-1
159	X1706159	RUB FOOT M6-1 X 15
160	X1706160	CAP SCREW 1/4-20 X 5/8
161	X1706161	REAR RAIL END CAP
163	X1706163	FLAT HD SCR M6-1 X 6
166	X1706166	FENCE SCALE