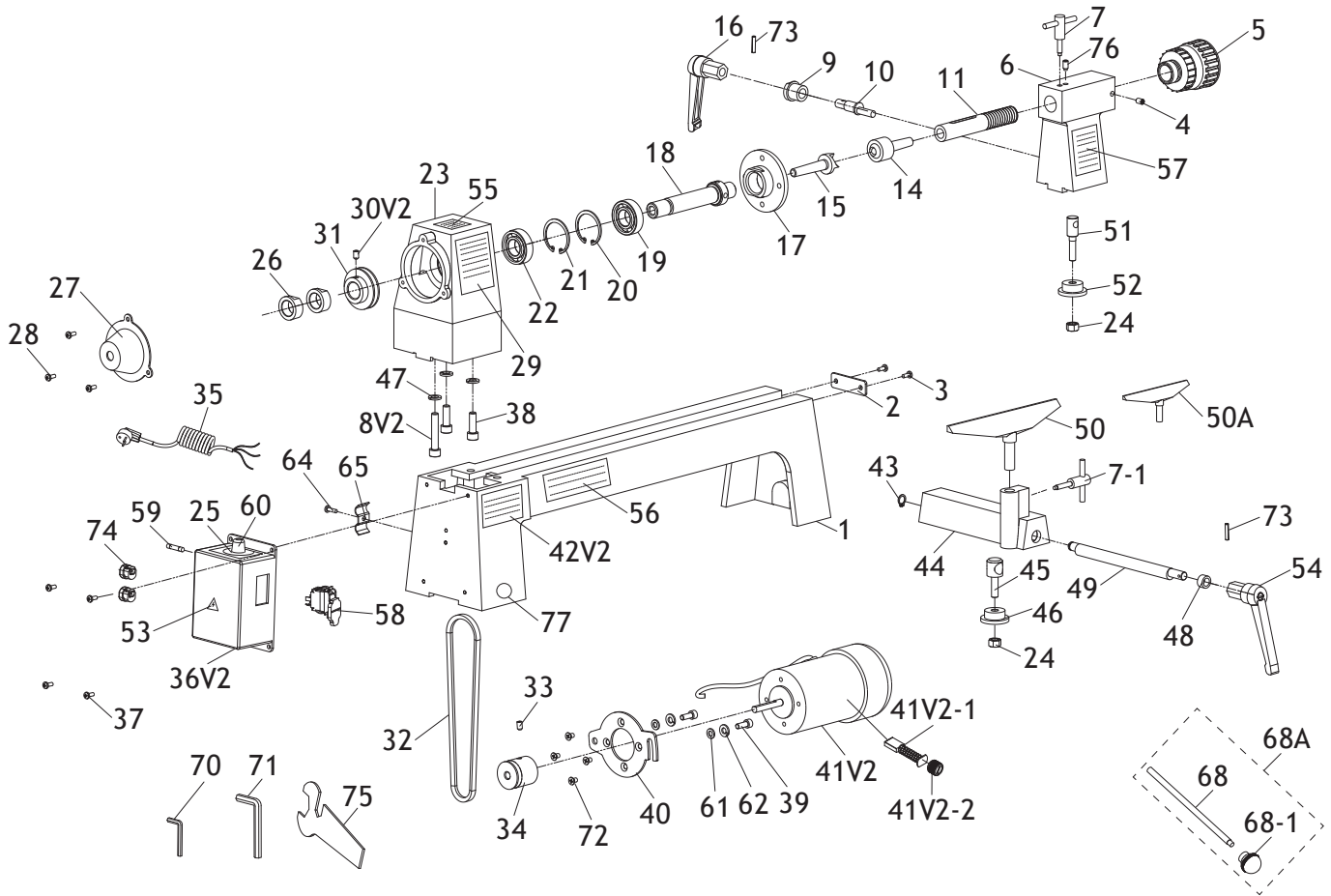


PARTS

Main



Main Parts List

REF	PART #	DESCRIPTION
1	X1704001	BED
2	X1704002	RETAINING PLATE
3	X1704003	PHLP HD SCR M5-.8 X 8
4	X1704004	SET SCREW M6-1 X 8 DOG-PT
5	X1704005	TAILSTOCK ADJUSTMENT KNOB
6	X1704006	TAILSTOCK BODY
7	X1704007	T-LOCK KNOB BOLT M6-1 X 18
7-1	X1704007-1	T-LOCK KNOB BOLT M6-1 X 28
8V2	X1704008V2	CAP SCREW M8-1.25 X 50 V2.09.15
9	X1704009	SLEEVE
10	X1704010	ECCENTRIC AXIS
11	X1704011	TAILSTOCK QUILL
14	X1704014	LIVE CENTER ASSEMBLY
15	X1704015	SPUR CENTER
16	X1704016	TAILSTOCK LOCK LEVER
17	X1704017	FACEPLATE 5-3/4"
18	X1704018	HEADSTOCK SPINDLE
19	X1704019	BALL BEARING 6004ZZ
20	X1704020	INT RETAINING RING 42MM
21	X1704021	INT RETAINING RING 42MM
22	X1704022	BALL BEARING 6004ZZ
23	X1704023	HEADSTOCK
24	X1704024	LOCK NUT M8-1.25
25	X1704025	SPEED DIAL LABEL
26	X1704026	HEADSTOCK SPINDLE NUT
27	X1704027	OUTBOARD SPINDLE COVER
28	X1704028	PHLP HD SCR M4-.7 X 8
29	X1704029	EYE/EAR/LUNG HAZARD LABEL
30V2	X1704030V2	SET SCREW M6-1 X 8 V2.12.19
31	X1704031	DRIVE PULLEY
32	X1704032	BELT K-516
33	X1704033	SET SCREW M6-1 X 10
34	X1704034	MOTOR PULLEY
35	X1704035	POWER CORD 18AWG 3W 72" 5-15P
36V2	X1704036V2	CIRCUIT BOARD W/BOX V2.01.20
37	X1704037	PHLP HD SCR M4-.7 X 10
38	X1704038	CAP SCREW M8-1.25 X 25
39	X1704039	CAP SCREW M6-1 X 16
40	X1704040	MOTOR MOUNTING PLATE

REF	PART #	DESCRIPTION
41V2	X1704041V2	MOTOR V2.01.20
41V2-1	X1704041V2-1	CARBON BRUSH
41V2-2	X1704041V2-2	BRUSH CAP
42V2	X1704042V2	MACHINE ID LABEL V2.01.20
43	X1704043	EXT RETAINING RING 10MM
44	X1704044	TOOL REST BASE
45	X1704045	TOOL REST CLAMP BOLT M8-1.25 X 32
46	X1704046	CLAMP BLOCK
47	X1704047	LOCK WASHER 8MM
48	X1704048	SLEEVE
49	X1704049	ECCENTRIC ROD
50	X1704050	TOOL REST 7" LARGE
50A	X1704050A	TOOL REST 4-1/2" SMALL
51	X1704051	TAILSTOCK CLAMP BOLT M8-1.25 X 32
52	X1704052	CLAMP BLOCK
53	X1704053	ELECTRICITY LABEL
54	X1704054	TOOL REST LOCK LEVER
55	X1704055	UNPLUG MACHINE LABEL
56	X1704056	LATHE WARNING LIST LABEL
57	X1704057	READ MANUAL LABEL
58	X1704058	SHOP FOX PADDLE SWITCH
59	X1704059	FUSE 10A
60	X1704060	SPINDLE SPEED DIAL SWITCH
61	X1704061	FLAT WASHER 6MM
62	X1704062	LOCK WASHER 6MM
64	X1704064	PHLP HD SCR M4-.7 X 10
65	X1704065	CABLE HOLDER
68A	X1704068A	KNOCK-OUT TOOL ASSY
68	X1704068	KNOCK-OUT TOOL ROD
68-1	X1704068-1	KNOCK-OUT TOOL END BALL
70	X1704070	HEX WRENCH 3MM
71	X1704071	HEX WRENCH 5MM
72	X1704072	FLAT HD SCR M5-.8 X 8
73	X1704073	ROLL PIN 4 X 16
74	X1704074	STRAIN RELIEF TYPE-1 3/8"
75	X1704075	WRENCH 19 X 27MM OPEN-ENDS
76	X1704076	SET SCREW M6-1 X 12
77	X1704077	TOUCH-UP PAINT, SHOP FOX WHITE

WARNING

Safety labels warn about machine hazards and how to prevent serious personal injury. The owner of this machine **MUST** maintain the original location and readability of all labels on this machine. If any label is removed or becomes unreadable, **REPLACE** that label before allowing machine to be operated again. Contact us at (360) 734-3482 or www.woodstockint.com to order new labels.