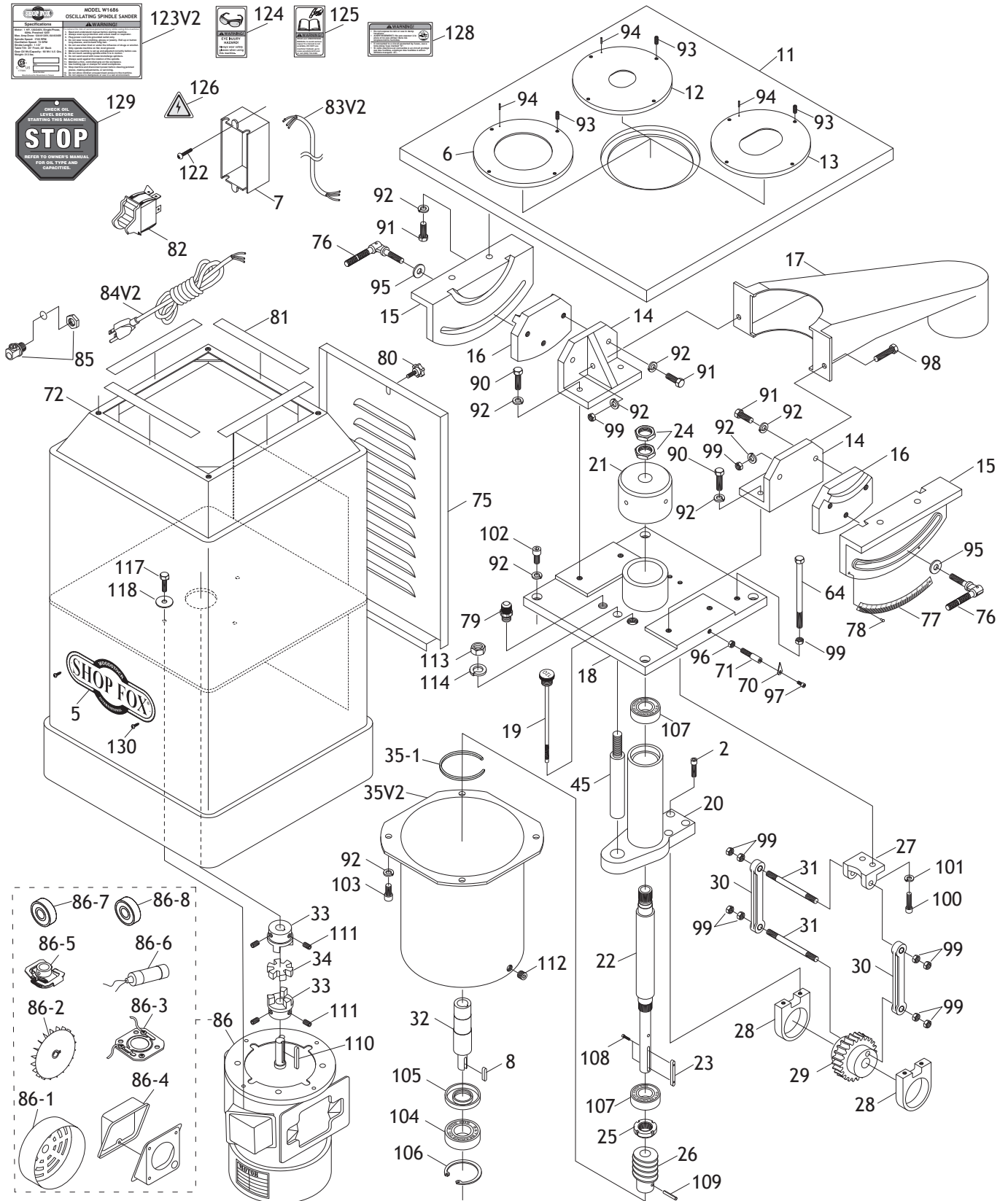


PARTS

Main



Main Parts List

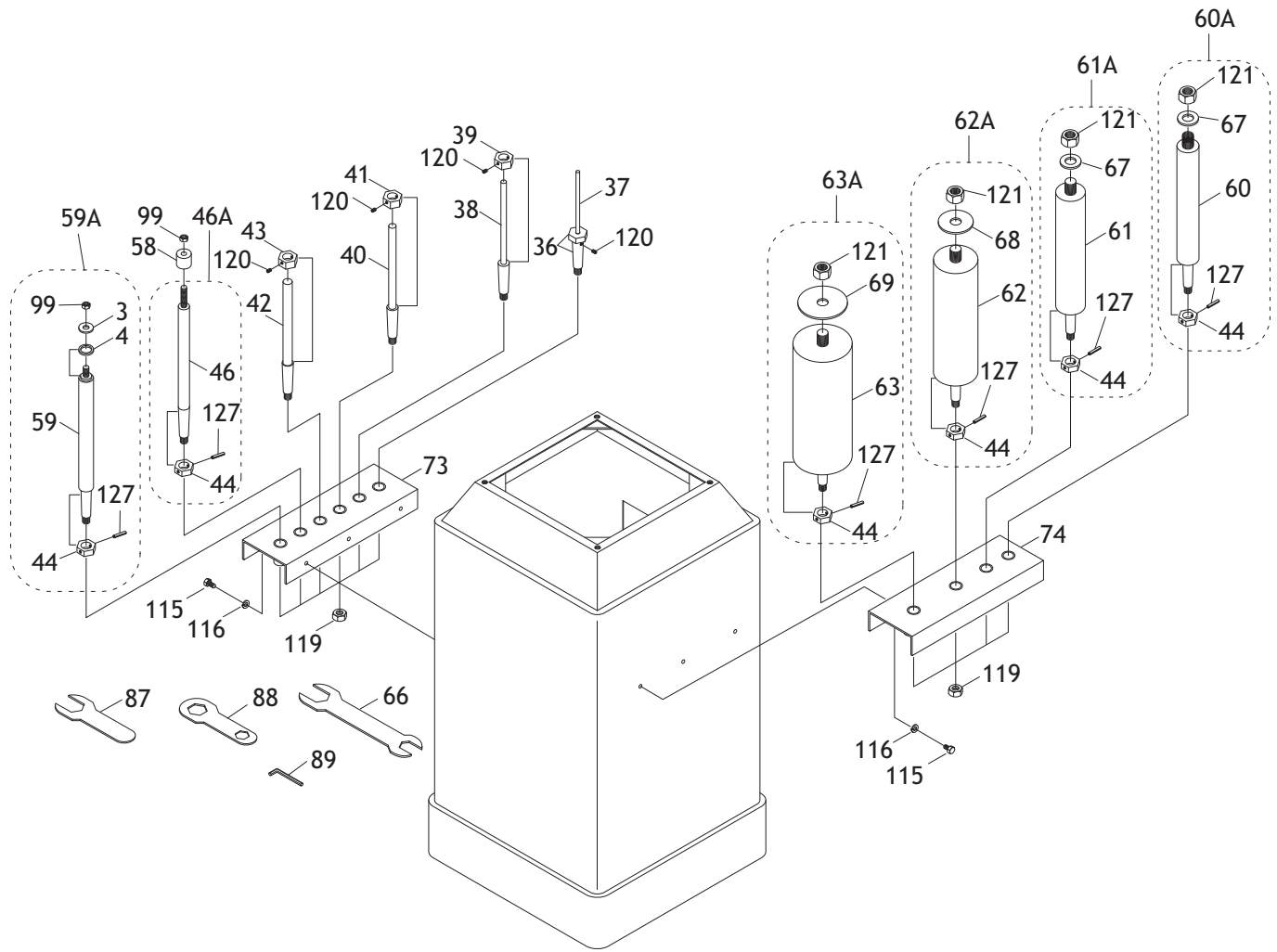
REF	PART #	DESCRIPTION
2	X1686002	CAP SCREW 5/16-18 X 1
5	X1686005	SHOP FOX NAMEPLATE-MEDIUM
6	X1686006	INSERT 4-1/4" X 6"
7	X1686007	DUST COVER
8	X1686008	KEY 5 X 5 X 25
11	X1686011	TABLE
12	X1686012	INSERT, 1-3/4" X 2-3/16"
13	X1686013	INSERT, 2-3/16" X 3-1/2"
14	X1686014	BRACKET
15	X1686015	TRUNNION
16	X1686016	INNER TRUNNION
17	X1686017	4" DUST CHUTE
18	X1686018	HOUSING CASTING
19	X1686019	DIPSTICK
20	X1686020	SPINDLE CASTING
21	X1686021	COVER
22	X1686022	SPINDLE
23	X1686023	SPINDLE KEY 5 X 5 X 20
24	X1686024	SPINDLE RETAINER
25	X1686025	SPINDLE NUT
26	X1686026	WORM
27	X1686027	MOUNTING BRACKET
28	X1686028	BEARING BLOCK
29	X1686029	WORM GEAR 24T
30	X1686030	CONNECTING ROD
31	X1686031	WRIST PIN
32	X1686032	DRIVE SHAFT
33	X1686033	HUB
34	X1686034	CENTER BLOCK
35V2	X1686035V2	CASE V2.08.02
35-1	X1686035-1	RUBBER STRIP
45	X1686045	GUIDE SHAFT
64	X1686064	TABLE STOP BOLT 3/8-16 X 6-1/2
70	X1686070	POINTER
71	X1686071	POINTER MOUNT
72	X1686072	CABINET
75	X1686075	DOOR
76	X1686076	LOCK HANDLE
77	X1686077	SCALE
78	X1686078	RIVET
79	X1686079	OIL BREATHER
80	X1686080	KNOB 1/4"-20 X 1"
81	X1686081	GASKET
82	X1686082	SHOP FOX PADDLE SWITCH 125V/250V
83V2	X1686083V2	MOTOR CORD 16AWG 3W 30" V2.11.10
84V2	X1686084V2	PWR CORD 16AWG 3W 5-15P V2.11.10

REF	PART #	DESCRIPTION
85	X1686085	STRAIN RELIEF TYPE-3 M20-1.5
86	X1686086	MOTOR 1HP 120V/240V 1PH
86-1	X1686086-1	MOTOR FAN COVER
86-2	X1686086-2	MOTOR FAN
86-3	X1686086-3	CONTACT PLATE
86-4	X1686086-4	MOTOR JUNCTION BOX
86-5	X1686086-5	CENTRIFUGAL SWITCH
86-6	X1686086-6	S CAPACITOR 300M 125V
86-7	X1686086-7	BALL BEARING 6204ZZ (FRONT)
86-8	X1686086-8	BALL BEARING 6202ZZ (REAR)
90	X1686090	HEX BOLT 3/8-16 X 1-1/4
91	X1686091	HEX BOLT 3/8-16 X 1
92	X1686092	LOCK WASHER 3/8
93	X1686093	SET SCREW 1/4-20 X 5/8
94	X1686094	ROLL PIN 5 X 28
95	X1686095	FLAT WASHER 3/8
96	X1686096	HEX NUT 5/16-18
97	X1686097	CAP SCREW 10-32 X 3/8
98	X1686098	HEX BOLT 3/8-16 X 1-1/2
99	X1686099	HEX NUT 3/8-16
100	X1686100	CAP SCREW 5/16-18 X 1
101	X1686101	LOCK WASHER 5/16
102	X1686102	CAP SCREW 3/8-16 X 3/4
103	X1686103	HEX BOLT 3/8-16 X 1-1/4
104	X1686104	BALL BEARING 6206ZZ
105	X1686105	SEAL 30-62-8
106	X1686106	INT RETAINING RING 62MM
107	X1686107	BALL BEARING 6205-2RS
108	X1686108	CAP SCREW 5-40 X 1/2
109	X1686109	ROLL PIN 5 X 30
110	X1686110	KEY 5 X 5 X 25
111	X1686111	SET SCREW 5/16-18 X 3/8
112	X1686112	DRAIN PLUG
113	X1686113	HEX NUT 5/8-11
114	X1686114	LOCK WASHER 5/8
117	X1686117	HEX BOLT 5/16-18 X 1
118	X1686118	FENDER WASHER 5/16
122	X1686122	PHLP HD SCR 10-24 X 1
123V2	X1686123V2	MACHINE ID LABEL V2.11.10
124	X1686124	SAFETY GLASSES LABEL
125	X1686125	READ MANUAL LABEL
126	X1686126	ELECTRICITY LABEL
128	X1686128	DAMPNESS EXPOSURE LABEL
129	X1686129	CHECK OIL LABEL
130	X1686130	TAP SCREW M3 X 10

WARNING

Safety labels warn about machine hazards and how to prevent serious personal injury. The owner of this machine **MUST** maintain the original location and readability of all labels on this machine. If any label is removed or becomes unreadable, **REPLACE** that label before allowing machine to be operated again. Contact us at (360) 734-3482 or www.woodstockint.com to order new labels.

Spindle & Base



REF	PART #	DESCRIPTION
3	X1686003	FLAT WASHER 3/8
4	X1686004	SPACER
36	X1686036	ARBOR
37	X1686037	SPINDLE 1/4"
38	X1686038	SPINDLE 3/8"
39	X1686039	RETAINER
40	X1686040	SPINDLE 1/2"
41	X1686041	RETAINER
42	X1686042	SPINDLE 5/8"
43	X1686043	RETAINER
44	X1686044	RETAINER
46	X1686046	SPINDLE 3/4"
46A	X1686046A	SPINDLE 3/4" ASSEMBLY
58	X1686058	RUBBER GROMMET
59	X1686059	SPINDLE 1"
59A	X1686059A	SPINDLE 1" ASSEMBLY
60	X1686060	SPINDLE 1-1/2"
60A	X1686060A	SPINDLE 1-1/2" ASSEMBLY
61	X1686061	SPINDLE 2"
61A	X1686061A	SPINDLE 2" ASSEMBLY

REF	PART #	DESCRIPTION
62	X1686062	SPINDLE 3"
62A	X1686062A	SPINDLE 3" ASSEMBLY
63	X1686063	SPINDLE 4"
63A	X1686063A	SPINDLE 4" ASSEMBLY
66	X1686066	COMBO FLAT WRENCH 7/8 X 1-1/4
67	X1686067	FLANGE
68	X1686068	FLANGE
69	X1686069	FLANGE
73	X1686073	SPINDLE HOLDER (RIGHT)
74	X1686074	SPINDLE HOLDER (LEFT)
87	X1686087	WRENCH 1-1/8
88	X1686088	SPINDLE WRENCH 1 X 3/4
89	X1686089	HEX WRENCH 2MM
99	X1686099	HEX NUT 3/8-16
115	X1686115	HEX BOLT 1/4-20 X 1/2
116	X1686116	LOCK WASHER 1/4
119	X1686119	HEX NUT 1/2-13
120	X1686120	SET SCREW 10-24 X 1/4
121	X1686121	HEX NUT 3/4-16
127	X1686127	ROLL PIN 5 X 28