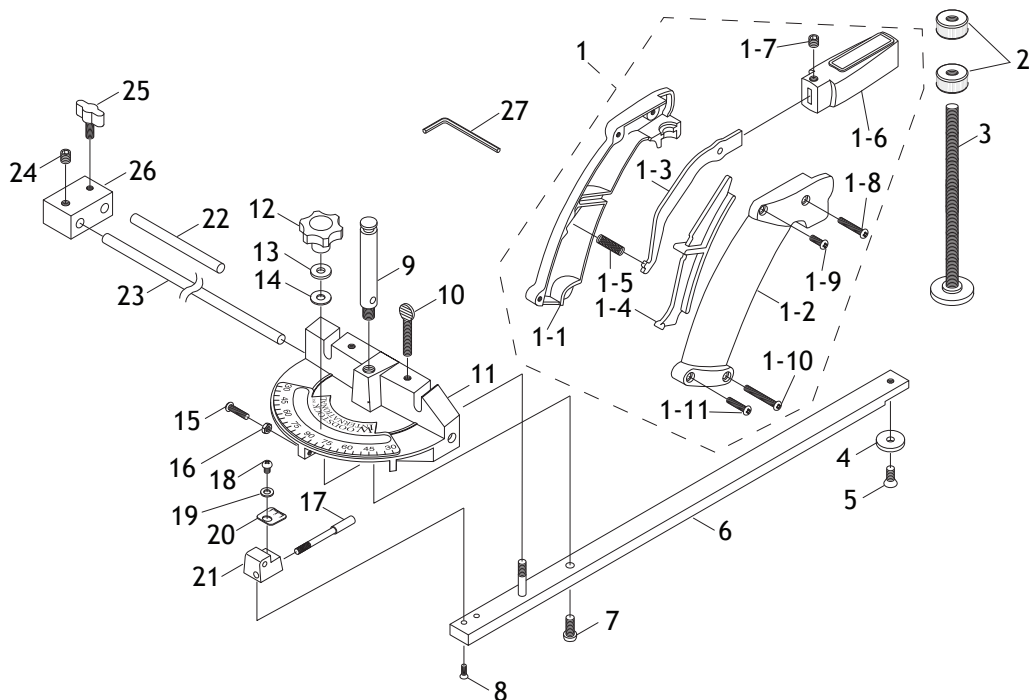


Model W1323A Clamping Miter Gauge Parts Breakdown



Phone #: (360) 734-3482 • Online Tech Support: tech-support@shopfox.biz • Web: www.shopfox.biz



REF	PART #	DESCRIPTION
1	X1323A001	MITER HANDLE ASSEMBLY
1-1	X1323A001-1	HANDLE GRIP LEFT
1-2	X1323A001-2	HANDLE GRIP RIGHT
1-3	X1323A001-3	HANDLE BUTTON
1-4	X1323A001-4	HANDLE LEVER
1-5	X1323A001-5	COMPRESSION SPRING
1-6	X1323A001-6	PLUNGER ARM
1-7	XPSS05	SET SCREW 5/16-18 X 1/4
1-8	XPS03	PHLP HD SCR 10-24 X 1
1-9	XPS06	PHLP HD SCR 10-24 X 3/8
1-10	XPS13	PHLP HD SCR 10-24 X 1-1/4
1-11	XPS08	PHLP HD SCR 10-24 X 3/4
2	X1323A002	THUMB NUT 3/8-16
3	X1323A003	PLUNGER M10-1.5 X 140
4	X1323A004	MITER SLOT WASHER
5	XPFH08	FLAT HD SCR 10-24 X 1/2
6	X1323A006	MITER BAR
7	XPS12	PHLP HD SCR 1/4-20 X 5/8
8	XPF19	FLAT HD SCR 1/4-20 X 3/8

REF	PART #	DESCRIPTION
9	X1323A009	HANDLE STUD 3/8-16 X 1/2
10	X1323A010	THUMB SCREW 1/4-20 X 1-1/2
11	X1323A011	MITER BODY
12	X1323A012	LOCK KNOB 1/4-20
13	X1323A013	FIBER WASHER 1/4"
14	XPW06	FLAT WASHER 1/4
15	XPS08	PHLP HD SCR 10-24 X 3/4
16	XPN07	HEX NUT 10-24
17	X1323A017	STOP PIN
18	XPS18	PHLP HD SCR 10-24 X 1/4
19	XPW03	FLAT WASHER #10
20	X1323A020	SCALE
21	X1323A021	STOP BLOCK
22	X1323A022	STOP GUIDE
23	X1323A023	SHAFT
24	XPSS05	SET SCREW 5/16-18 X 1/4
25	X1323A025	KNOB 1/4-20 X 5/8
26	X1323A026	STOP BRACKET
27	XPAW04M	HEX WRENCH 4MM

COPYRIGHT © DECEMBER, 2011 BY WOODSTOCK INTERNATIONAL, INC.

WARNING: NO PORTION OF THIS MANUAL MAY BE REPRODUCED IN ANY SHAPE OR FORM WITHOUT

#14648KN

THE WRITTEN APPROVAL OF WOODSTOCK INTERNATIONAL, INC.

Printed in Taiwan