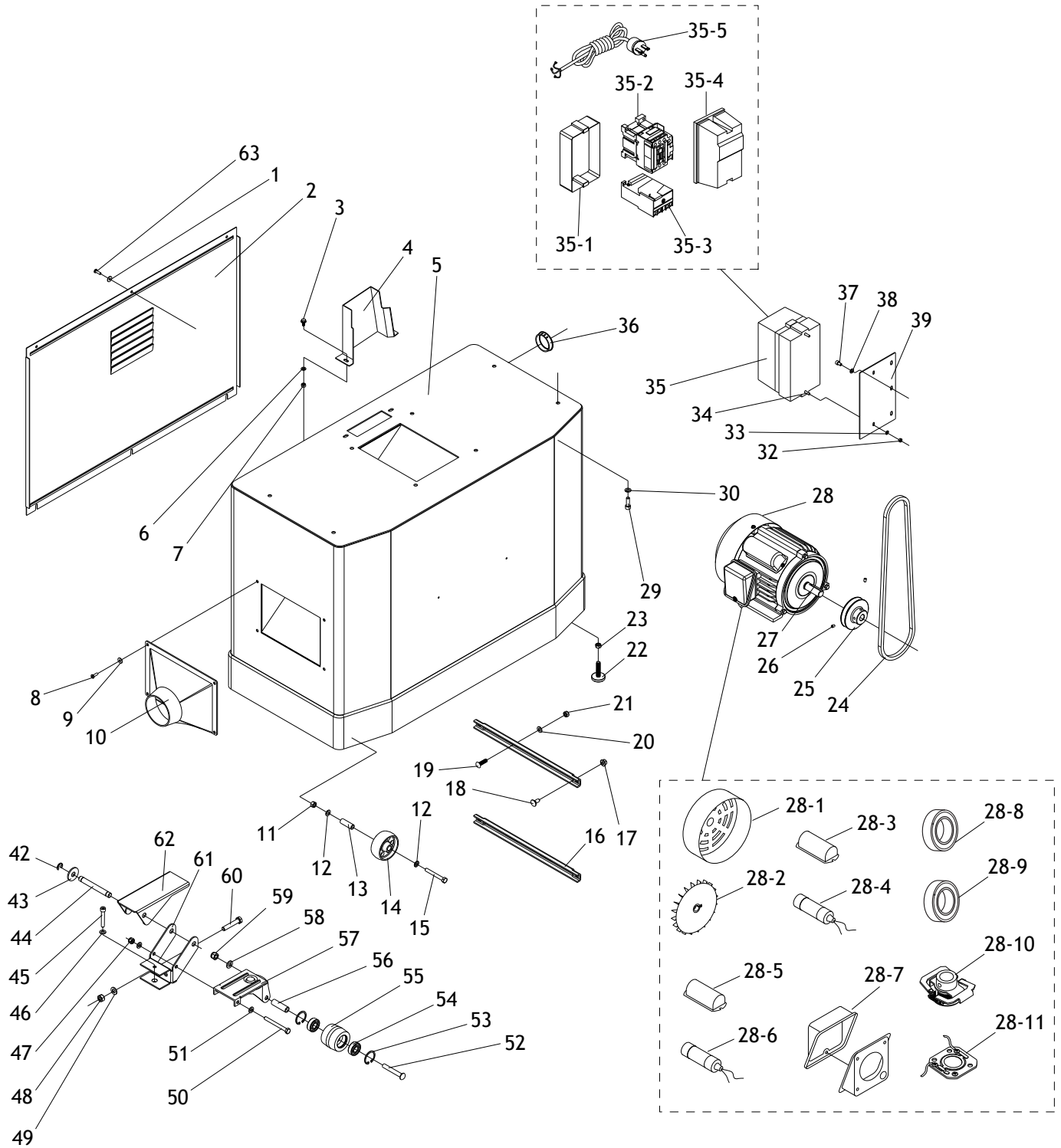


PARTS

Stand Breakdown

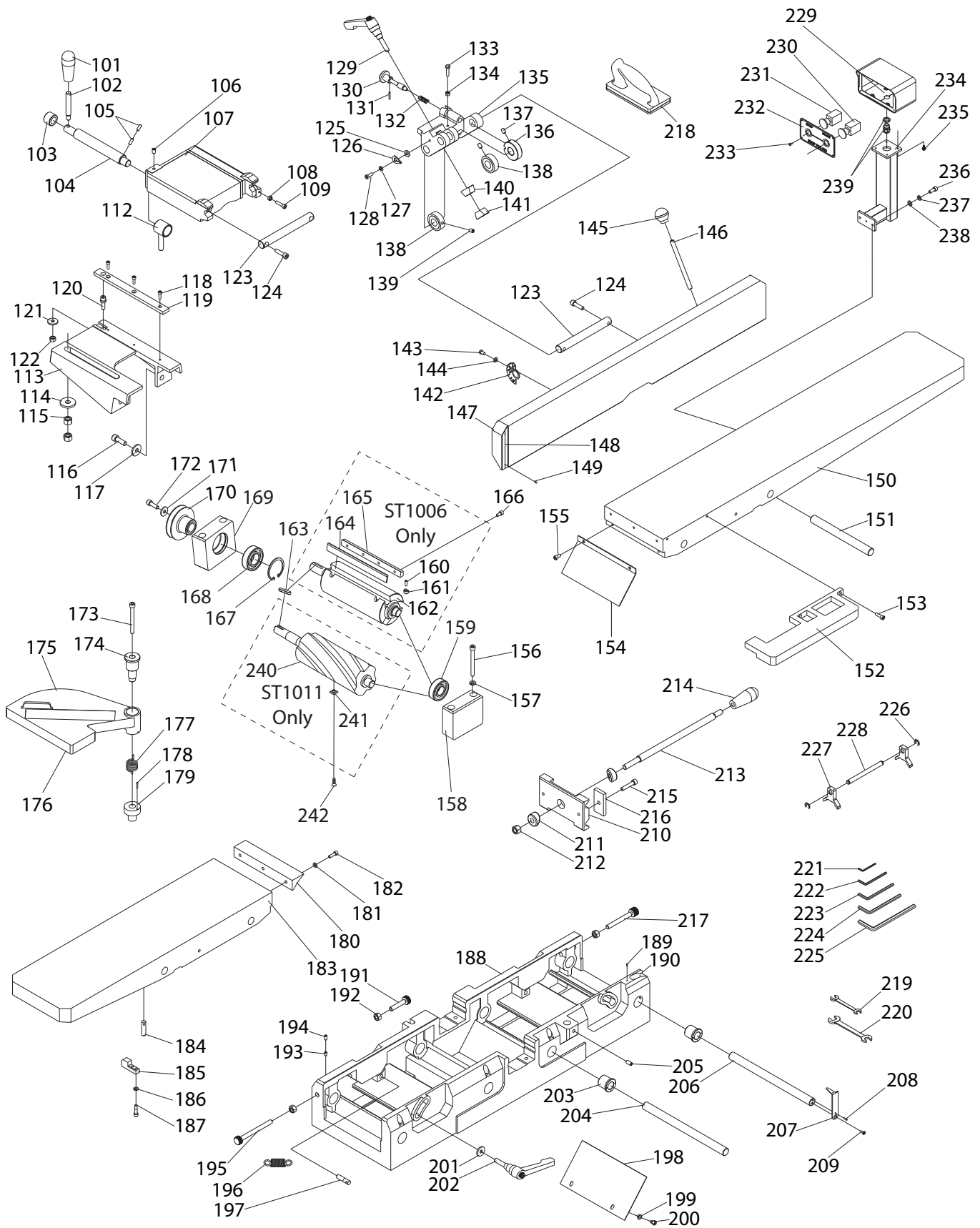


Stand Parts List

REF	PART #	DESCRIPTION
1	XST1006001	FLAT WASHER 5MM
2	XST1006002	MOTOR ACCESS PANEL
3	XST1006003	FLANGE SCREW M6-1 X 12
4	XST1006004	BELT GUARD
5	XST1006005	CABINET STAND
6	XST1006006	FLAT WASHER 6MM
7	XST1006007	HEX NUT M6-1
8	XST1006008	PHLP HD SCR M5-.8 X 16
9	XST1006009	FLAT WASHER 5MM
10	XST1006010	DUST PORT 4"
11	XST1006011	HEX NUT M8-1.25
12	XST1006012	FLAT WASHER 8MM
13	XST1006013	WHEEL SLEEVE
14	XST1006014	WHEEL
15	XST1006015	HEX BOLT M8-1.25 X 65
16	XST1006016	MOTOR BRACKET
17	XST1006017	FLANGE NUT 5/16-18
18	XST1006018	CARRIAGE BOLT 5/16-18 X 3/4
19	XST1006019	CARRIAGE BOLT 5/16-18 X 1-1/4
20	XST1006020	FLAT WASHER 5/16
21	XST1006021	HEX NUT 5/16-18
22	XST1006022	ADJUSTABLE FOOT 3/8-15 X 1/34
23	XST1006023	HEX NUT 3/8-16
24	XST1006024	V-BELT A-45 4L450
25	XST1006025	MOTOR PULLEY
26	XST1006026	SET SCREW M6-1 X 6
27	XST1006027	KEY 5 X 5 X 30
28	XST1006028	MOTOR 3HP 240V 1-PH
28-1	XST1006028-1	MOTOR FAN COVER
28-2	XST1006028-2	MOTOR FAN
28-3	XST1006028-3	CAPACITOR COVER
28-4	XST1006028-4	S CAPACITOR 200M 250V
28-5	XST1006028-5	CAPACITOR COVER
28-6	XST1006028-6	R CAPACITOR 30M 450V
28-7	XST1006028-7	MOTOR JUNCTION BOX
28-8	XST1006028-8	BALL BEARING 6204ZZ
28-9	XST1006028-9	BALL BEARING 6203ZZ
28-10	XST1006028-10	CENTRIFUGAL SWITCH 16MM 3450

REF	PART #	DESCRIPTION
28-11	XST1006028-11	CONTACT PLATE 16MM
29	XST1006029	CAP SCREW M8-1.25 X 25
30	XST1006030	LOCK WASHER 8MM
32	XST1006032	HEX NUT M5-.8
33	XST1006033	FLAT WASHER 5MM
34	XST1006034	PHLP HD SCR M5-.8 X 20
35	XST1006035	MAGNETIC SWITCH ASSEMBLY
35-1	XST1006035-1	MAG SWITCH REAR COVER
35-2	XST1006035-2	CONTACTOR NHD C-09D 230V
35-3	XST1006035-3	OL RELAY NHD NTH-17 14-17A
35-4	XST1006035-4	MAG SWITCH COVER (FRONT)
35-5	XST1006035-5	POWER CORD 12G 3W 72" 6-20P
36	XST1006036	STRAIN RELIEF
37	XST1006037	CAP SCREW M6-1 X 10
38	XST1006038	FLAT WASHER 6MM
39	XST1006039	SWITCH MOUNTING PLATE
42	XST1006042	EXT RETAINING RING 9MM
43	XST1006043	FLAT WASHER 12MM
44	XST1006044	CLEVIS PIN
45	XST1006045	HEX BOLT M8-1.25 X 50
46	XST1006046	FLAT WASHER 8MM
47	XST1006047	HEX NUT M8-1.25
48	XST1006048	HEX NUT M10-1.5
49	XST1006049	FLAT WASHER 10MM
50	XST1006050	HEX BOLT M8-1.25 X 100
51	XST1006051	FLAT WASHER 8MM
52	XST1006052	FOOT PEDAL WHEEL AXLE
53	XST1006053	INT RETAINING RING 35MM
54	XST1006054	BALL BEARING 6202-2RS
55	XST1006055	FOOT PEDAL WHEEL
56	XST1006056	FOOT PEDAL WHEEL SLEEVE
57	XST1006057	FOOT PEDAL BASE
58	XST1006058	FLAT WASHER 10MM
59	XST1006059	HEX NUT M10-1.5
60	XST1006060	HEX BOLT M10-1.5 X 55
61	XST1006061	FOOT PEDAL BRACKET
62	XST1006062	FOOT PEDAL
63	XST1006063	PHLP HD SCR M5-.8 X 16

Jointer Breakdown



Jointer Parts List

REF	PART #	DESCRIPTION
101	XST1006101	KNOB M10-1.5
102	XST1006102	STUD
103	XST1006103	BUSHING
104	XST1006104	ECCENTRIC SHAFT
105	XST1006105	SET SCREW M6-1 X 16
106	XST1006106	SET SCREW M8-1.25 X 12
107	XST1006107	FENCE CARRIAGE
108	XST1006108	HEX NUT M6-1
109	XST1006109	HEX BOLT M6-1 X 25
112	XST1006112	COLLAR
113	XST1006113	CARRIAGE MOUNT
114	XST1006114	FLAT WASHER 12MM
115	XST1006115	HEX NUT M12-1.75
116	XST1006116	CAP SCREW M10-1.5 X 30
117	XST1006117	FLAT WASHER 10MM
118	XST1006118	CAP SCREW M5-.8 X 16
119	XST1006119	GIB
120	XST1006120	ECCENTRIC STUD
121	XST1006121	FLAT WASHER 8MM
122	XST1006122	HEX NUT M8-1.25
123	XST1006123	CONNECTING SHAFT W/2 HOLES
124	XST1006124	CAP SCREW M8-1.25 X 30
125	XST1006125	FLAT WASHER 6MM
126	XST1006126	TILT SCALE POINTER
127	XST1006127	FLAT WASHER 6MM
128	XST1006128	BUTTON HD CAP SCREW M6-1 X 16
129	XST1006129	LOCK LEVER M10-1.5 X 35
130	XST1006130	INDEX PIN ASSEMBLY
131	XST1006131	ROLL PIN 3 X 20
132	XST1006132	COMPRESSION SPRING
133	XST1006133	HEX BOLT M6-1 X 25
134	XST1006134	HEX NUT M6-1
135	XST1006135	FENCE SWIVEL BASE
136	XST1006136	LOCK COLLAR
137	XST1006137	SET SCREW M8-1.25 X 12
138	XST1006138	LOCK COLLAR
139	XST1006139	SET SCREW M8-1.25 X 12
140	XST1006140	CLAMP
141	XST1006141	THREAD CLAMP
142	XST1006142	TILT SCALE
143	XST1006143	PHLP HD SCR M6-1 X 10
144	XST1006144	FLAT WASHER 6MM
145	XST1006145	KNOB M10-1.5 ROUND
146	XST1006146	STUD
147	XST1006147	FENCE
148	XST1006148	SCALE
149	XST1006149	RIVET
150	XST1006150	INFEED TABLE
151	XST1006151	TABLE SHAFT 202MM

REF	PART #	DESCRIPTION
152	XST1006152	RABBET TABLE EXTENSION
153	XST1006153	CAP SCREW M6-1 X 20
154	XST1006154	CHIP DEFLECTOR
155	XST1006155	CAP SCREW M6-1 X 12
156	XST1006156	CAP SCREW M8-1.25 X 80
157	XST1006157	LOCK WASHER 8MM
158	XST1006158	BEARING BLOCK (L)
159	XST1006159	BALL BEARING 6004-2RS
160	XST1006160	SET SCREW M5-.8 X 16 (ST1006)
161	XST1006161	KNIFE LIFTER (ST1006)
162	XST1006162	CUTTERHEAD 8" 4-KNIFE (ST1006)
163	XST1006163	KEY 6 X 6 X 35
164	XST1006164	KNIFE (SET OF 4) (ST1006)
165	XST1006165	GIB (ST1006)
166	XST1001166	GIB SCREW (ST1011)
167	XST1006167	INT RETAINING RING 47MM
168	XST1006168	BALL BEARING 6005-2RS
169	XST1006169	BEARING BLOCK (R)
170	XST1006170	CUTTERHEAD PULLEY ALUMINUM
171	XST1006171	FLAT WASHER 8MM
172	XST1006172	CAP SCREW M8-1.25 X 25
173	XST1006173	CAP SCREW M8-1.25 X 80
174	XST1006174	GUARD CLAMP
175	XST1006175	CUTTERHEAD GUARD
176	XST1006176	GUARD WARNING LABEL
177	XST1006177	TORSION SPRING
178	XST1006178	ROLL PIN 3 X 16
179	XST1006179	SPRING RETAINER
180	XST1006180	TABLE LIP
181	XST1006181	FLAT WASHER 6MM
182	XST1006182	CAP SCREW M6-1 X 20
183	XST1006183	OUTFEED TABLE
184	XST1006184	SPRING PIN W/HOLE
185	XST1006185	BUMPER
186	XST1006186	LOCK WASHER 6MM
187	XST1006187	CAP SCREW M6-1 X 25
188	XST1006188	TABLE BASE
189	XST1006189	RIVET 2 X 4MM NAMEPLATE, STEEL
190	XST1006190	HEIGHT SCALE
191	XST1006191	SHORT ADJUSTING SCREW
192	XST1006192	HEX NUT M10-1.5
193	XST1006193	SET SCREW M6-1 X 10
194	XST1006194	SET SCREW M6-1 X 10
195	XST1006195	ADJUSTING SCREW M10-1.5 X 110
196	XST1006196	EXTENSION SPRING
197	XST1006197	SPRING PIN
198	XST1006198	CHIP BREAKER
199	XST1006199	FLAT WASHER 6MM
200	XST1006200	HEX BOLT M6-1 X 12

Jointer Parts List

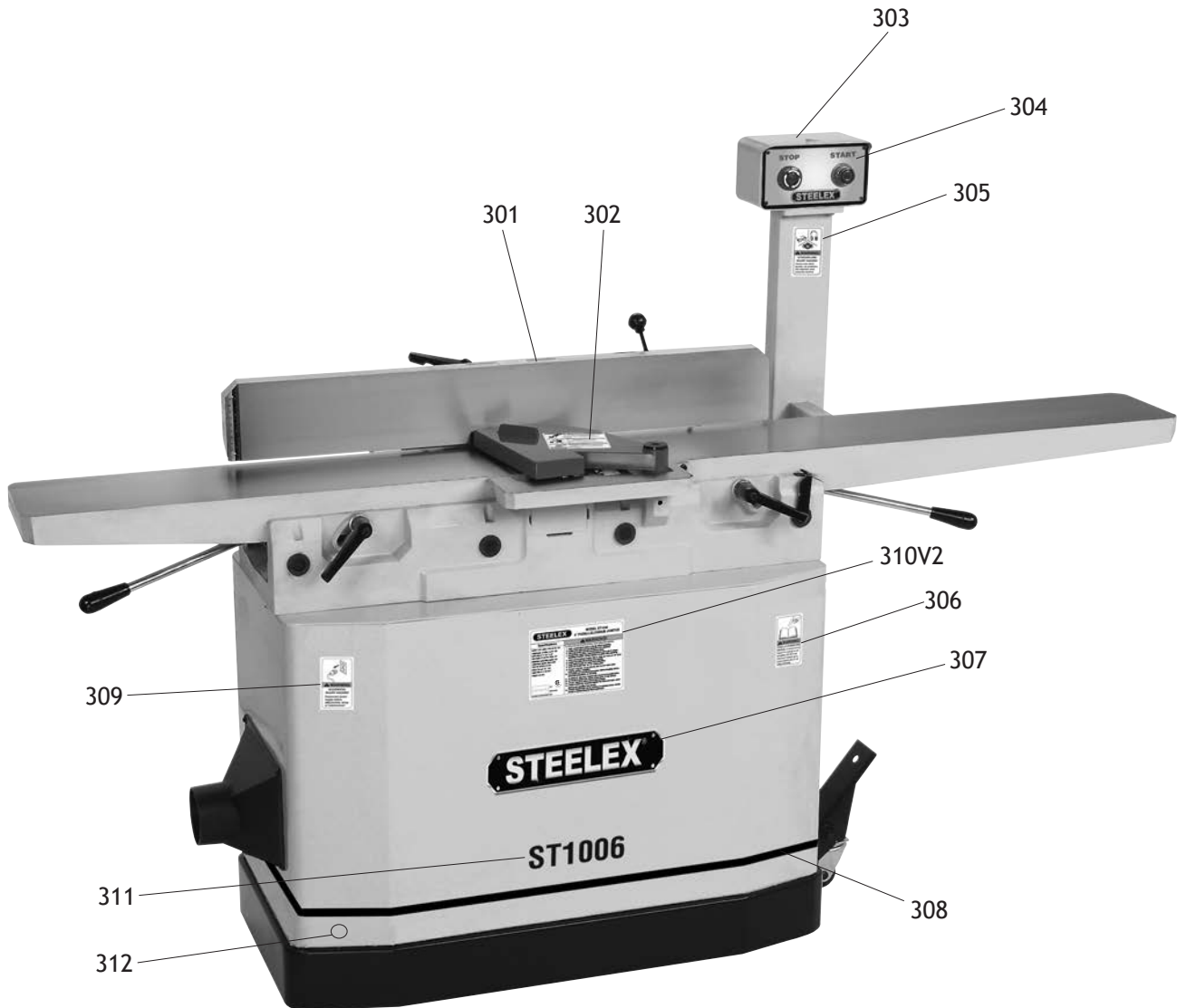
REF	PART #	DESCRIPTION
201	XST1006201	FLAT WASHER 8MM
202	XST1006202	TABLE LOCK LEVER M8-1.25 X 30
203	XST1006203	ECCENTRIC BUSHING
204	XST1006204	TABLE SHAFT 281MM
205	XST1006205	SET SCREW M8-1.25 X 16
206	XST1006206	TABLE SHAFT 281MM
207	XST1006207	DEPTH-OF-CUT POINTER
208	XST1006208	ROLL PIN 3 X 10
209	XST1006209	FLAT HD SCR M4-.7 X 10
210	XST1006210	PIVOT BRACKET
211	XST1006211	ADJUSTING BLOCK
212	XST1006212	HEX NUT M12-1.75
213	XST1006213	LEVER
214	XST1006214	HANDLE KNOB M12-1.75
215	XST1006215	CAP SCREW M8-1.25 X 40
216	XST1006216	CLAMP PLATE
217	XST1006217	MEDIUM ADJUSTING SCREW
218	XST1006218	PUSH BLOCK
219	XST1006219	WRENCH 8 X 10MM OPEN-ENDS
220	XST1006220	WRENCH 12 X 14MM OPEN-ENDS
221	XST1006221	HEX WRENCH 2.5MM

REF	PART #	DESCRIPTION
222	XST1006222	HEX WRENCH 4MM
223	XST1006223	HEX WRENCH 5MM
224	XST1006224	HEX WRENCH 6MM
225	XST1006225	HEX WRENCH 8MM
226	XST1006226	EXT RETAINING RING 8MM
227	XST1006227	KNIFE GAUGE BLOCK
228	XST1006228	KNIFE GAUGE ROD
229	XST1006229	CONTROL BOX
230	XST1006230	START BUTTON
231	XST1006231	STOP BUTTON
232	XST1006232	CONTROL PANEL FACE
233	XST1006233	TAP SCREW M4 X 8
234	XST1006234	SWITCH PEDESTAL ARM
235	XST1006235	FLANGE SCREW M6-1 X 16
236	XST1006236	CAP SCREW M10-1.5 X 25
237	XST1006237	LOCK WASHER 10MM
238	XST1006238	FLAT WASHER 10MM
239	XST1006239	BALL STRAIN RELIEF
240	XST1011240	8" HELICAL CUTTERHEAD (ST1011)
241	XST1011241	CUTTERHEAD INSERT 15 X 15 X 2.5MM (ST1011)
242	XST1011242	FLAT HD TORX T20 M6-1 X 15

Labels/Cosmetics

⚠️ WARNING

Safety labels warn about machine hazards and ways to prevent injury. The owner of this machine **MUST** maintain the original location and readability of the labels on the machine. If any label is removed or becomes unreadable, **REPLACE** that label before using the machine again.



REF	PART #	DESCRIPTION
301	XST1006301	FENCE/CUTTERHEAD WARNING LABEL
302	XST1006302	CUTTERHEAD GUARD WARNING LABEL
303	XST1006303	ELECTRICITY LABEL
304	XST1006304	CONTROL PANEL LABEL
305	XST1006305	EYE/EAR/LUNG INJURY HAZARD LABEL
306	XST1006306	READ MANUAL LABEL
307	XST1006307	STEELEX LOGO PLATE

REF	PART #	DESCRIPTION
308	XST1006308	DECORATIVE STRIPE TAPE
309	XST1006309	DISCONNECT POWER LABEL
310V2	XST1006310V2	MACHINE ID LABEL (ST1006) CSA V2.08.16
310V2	XST1011310V2	MACHINE ID LABEL (ST1011) CSA V2.08.16
311	XST1006311	MODEL NUMBER LABEL (ST1006)
311	XST1011311	MODEL NUMBER LABEL (ST1011)
312	XST1006312	TOUCH-UP PAINT, STEELEX BEIGE