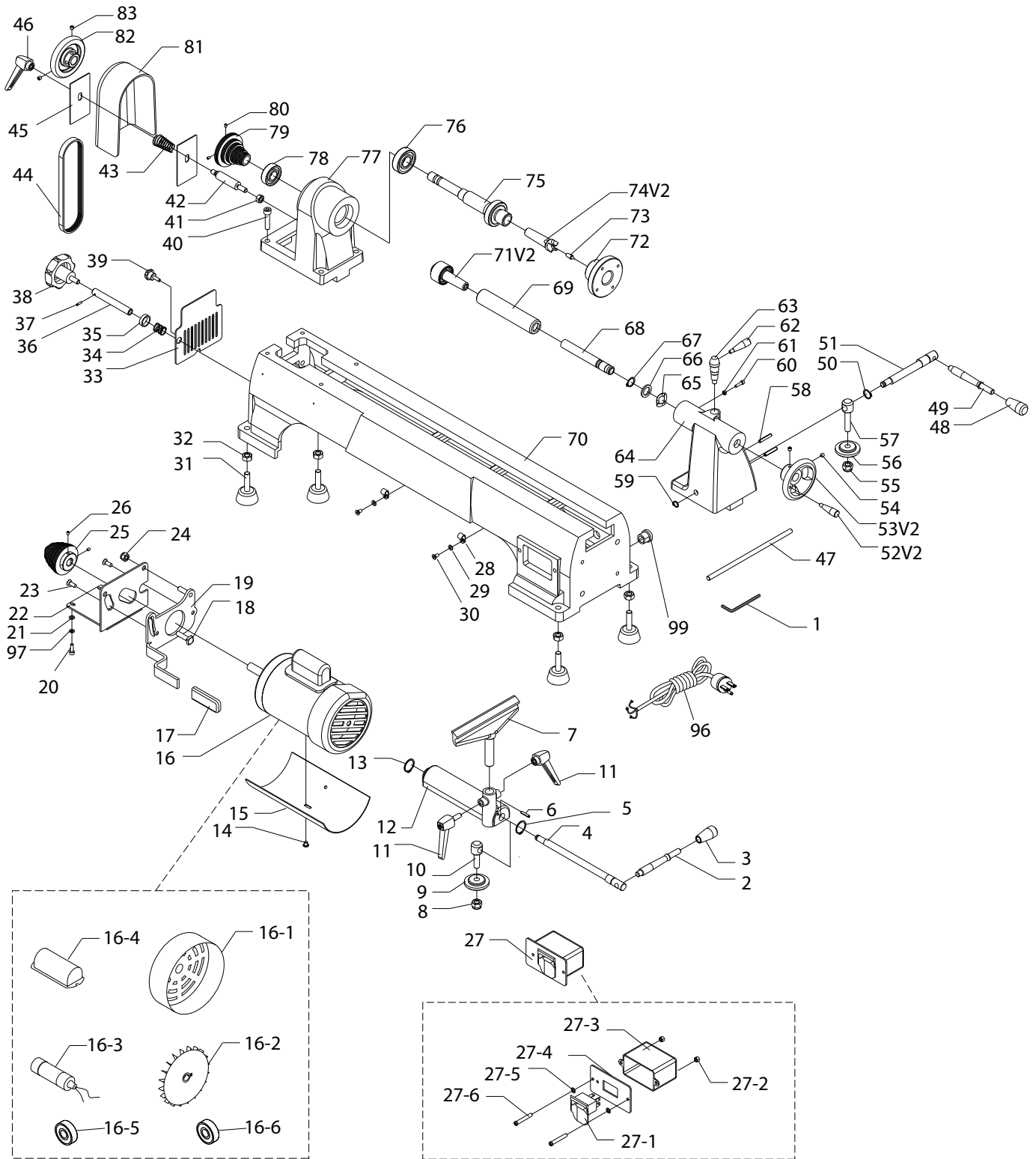


# PARTS

## Main



# Main Parts List

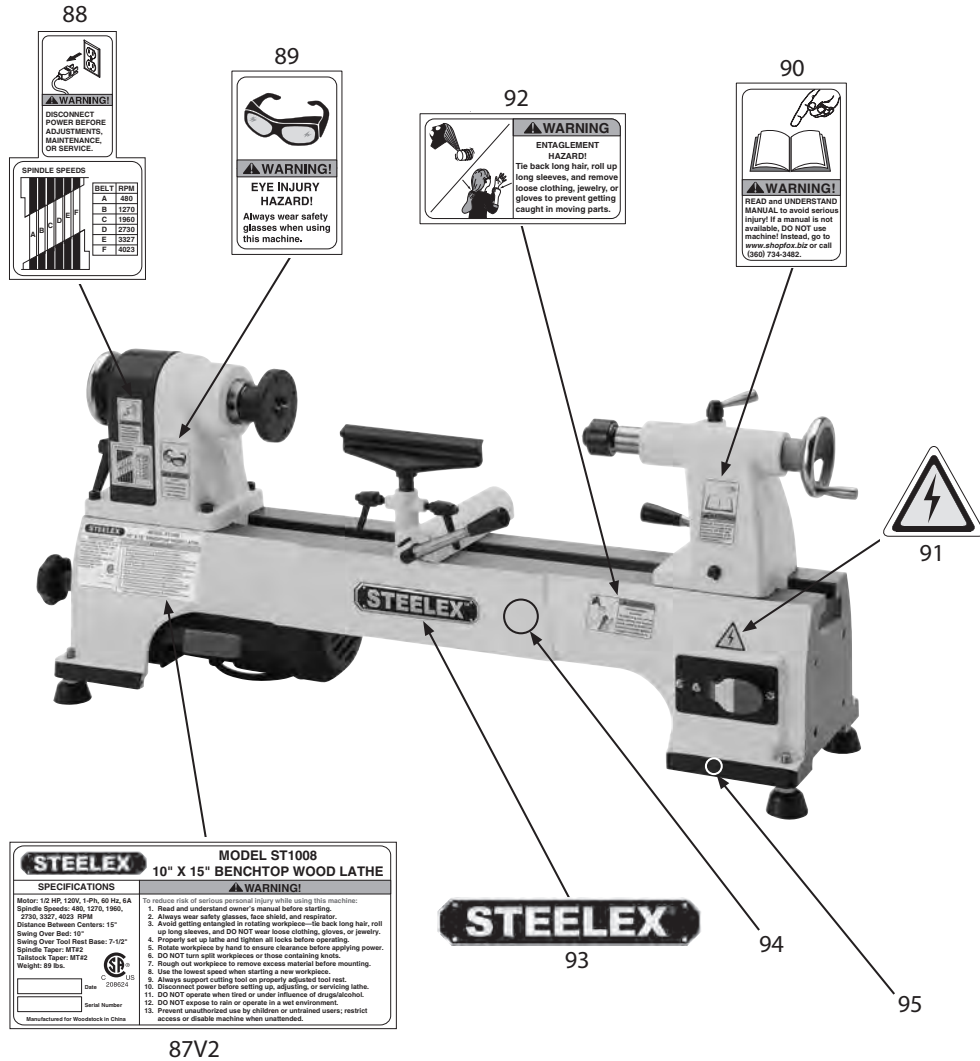
REF	PART #	DESCRIPTION
1	XST1008001	HEX WRENCH 2.5MM
2	XST1008002	TOOL REST RELEASE LEVER
3	XST1008003	LEVER KNOB
4	XST1008004	ECCENTRIC SHAFT
5	XST1008005	EXT RETAINING RING 14MM
6	XST1008006	ROLL PIN 4 X 20
7	XST1008007	TOOL REST
8	XST1008008	LOCK NUT M10-1.5
9	XST1008009	SLIDE COLLAR
10	XST1008010	ADJUST SHAFT
11	XST1008011	TOOL REST LOCK HANDLE M6-1
12	XST1008012	TOOL POST BASE
13	XST1008013	EXT RETAINING RING 10MM
14	XST1008014	PHLP HD SCR 10-24 X 1/4
15	XST1008015	DUST GUARD
16	XST1008016	MOTOR 1/2HP 120V 1-PH
16-1	XST1008016-1	MOTOR FAN COVER
16-2	XST1008016-2	MOTOR FAN
16-3	XST1008016-3	S CAPACITOR 25M 250V
16-4	XST1008016-4	CAPACITOR COVER
16-5	XST1008016-5	BALL BEARING 6202ZZ
16-6	XST1008016-6	BALL BEARING 6200ZZ
17	XST1008017	RUBBER SLEEVE
18	XST1008018	SQUARE BOLT M8-1.25 X 30
19	XST1008019	TENSION BRACKET
20	XST1008020	CAP SCREW M5-.8 X 15
21	XST1008021	FLAT WASHER 5MM
97	XST1008097	LOCK WASHER 5MM
22	XST1008022	MOTOR PLATE
23	XST1008023	PHLP HD SCR M6-1 X 16
24	XST1008024	LOCK NUT M8-1.25
25	XST1008025	MOTOR PULLEY
26	XST1008026	SET SCREW M4-.7 X 6
27	XST1008027	PADDLE SWITCH 110V 20A
27-1	XST1008027-1	SWITCH W/SAFETY KEY
27-2	XST1008027-2	HEX NUT 10-24
27-3	XST1008027-3	SWITCH BOX
27-4	XST1008027-4	SWITCH PLATE
27-5	XST1008027-5	EXT TOOTH WASHER 5MM
27-6	XST1008027-6	PHLP HD SCR 10-24 X 1-1/2
28	XST1008028	WIRE CLAMP
29	XST1008029	FLAT WASHER 5MM
30	XST1008030	PHLP HD SCR M5-.8 X 10
31	XST1008031	RUBBER FOOT
32	XST1008032	HEX NUT 3/8-16
33	XST1008033	LOWER PULLEY ACCESS PLATE
34	XST1008034	COMPRESSION SPRING
35	XST1008035	SPACER 18MM
36	XST1008036	SHAFT

REF	PART #	DESCRIPTION
37	XST1008037	ROLL PIN 3 X 12
38	XST1008038	BELT TENSION LOCK KNOB
39	XST1008039	THUMB SCREW M5-.8 X 15
40	XST1008040	CAP SCREW M8-1.25 X 35
41	XST1008041	HEX NUT M8-1.25
42	XST1008042	THREADED SHAFT
43	XST1008043	COMPRESSION SPRING
44	XST1008044	V-BELT 7 X 3.4 X 600MM
45	XST1008045	GUARD PLATE
46	XST1008046	LOCK HANDLE
47	XST1008047	KNOCK OUT BAR
48	XST1008048	LEVER KNOB
49	XST1008049	TAILSTOCK RELEASE LEVER
50	XST1008050	EXT RETAINING RING 16MM
51	XST1008051	ECCENTRIC SHAFT
52V2	XST1008052V2	QUILL HANDWHEEL HANDLE V2.06.16
53V2	XST1008053V2	TAILSTOCK HANDWHEEL V2.06.16
54	XST1008054	SET SCREW M6-1 X 6
55	XST1008055	LOCK NUT M10-1.5
56	XST1008056	SLIDE COLLAR
57	XST1008057	ADJUST SHAFT
58	XST1008058	ROLL PIN 5 X 30
59	XST1008059	EXT RETAINING RING 10MM
60	XST1008060	CAP SCREW M4-.7 X 16
61	XST1008061	HEX NUT M4-.7
62	XST1008062	QUILL LOCK HANDLE
63	XST1008063	ECCENTRIC SHAFT
64	XST1008064	TAILSTOCK CASTING
65	XST1008065	RUBBER COLLAR
66	XST1008066	FLAT WASHER 15MM
67	XST1008067	EXT RETAINING RING 15MM
68	XST1008068	TAILSTOCK LEAD SCREW
69	XST1008069	TAILSTOCK QUILL
70	XST1008070	BEDWAY
71V2	XST1008071V2	LIVE CENTER MT#2 V2.06.16
72	XST1008072	FACEPLATE 3"
73	XST1008073	SPUR CENTER POINT 8MM
74V2	XST1008074V2	SPUR CENTER MT#2 V2.06.16
75	XST1008075	SPINDLE
76	XST1008076	BALL BEARING 6005ZZ
77	XST1008077	HEADSTOCK CASTING
78	XST1008078	BALL BEARING 6004ZZ
79	XST1008079	SPINDLE PULLEY
80	XST1008080	SET SCREW M4-.7 X 6
81	XST1008081	PULLEY SAFETY COVER
82	XST1008082	HEADSTOCK HANDWHEEL
83	XST1008083	SET SCREW M6-1 X 6
96	XST1008096	POWER CORD 18G 3W 72" 5-15P
99	XST1008099	STRAIN RELIEF PG11 TYPE-1

# Labels & Cosmetics

## ⚠️ WARNING

Safety labels warn about machine hazards and how to prevent machine damage or injury. The owner of this machine **MUST** maintain the original location and readability of all labels on this machine. If any label is removed or becomes unreadable, **REPLACE** that label before allowing the machine to enter service again. Contact Woodstock International, Inc. at (360) 734-3482 or [www.shopfoxtools.com](http://www.shopfoxtools.com) to order new labels.



REF	PART #	DESCRIPTION
87V2	XST1008087V2	MACHINE ID LABEL W/ CSA V2.03.17
88	XST1008088	DISC PWR-SPINDLE SPEEDS LABEL
89	XST1008089	SAFETY GLASSES LABEL 1-1/2" X 2-1/2"
90	XST1008090	READ MANUAL LABEL 1-1/2" X 2-1/2"
91	XST1008091	ELECTRICITY LABEL

REF	PART #	DESCRIPTION
92	XST1008092	ENTANGLEMENT HAZARD LABEL
93	XST1008093	STEELEX NAMEPLATE - SMALL
94	XST1008094	TOUCH UP PAINT, STEELEX TAN
95	XST1008095	BLACK TOUCH-UP PAINT