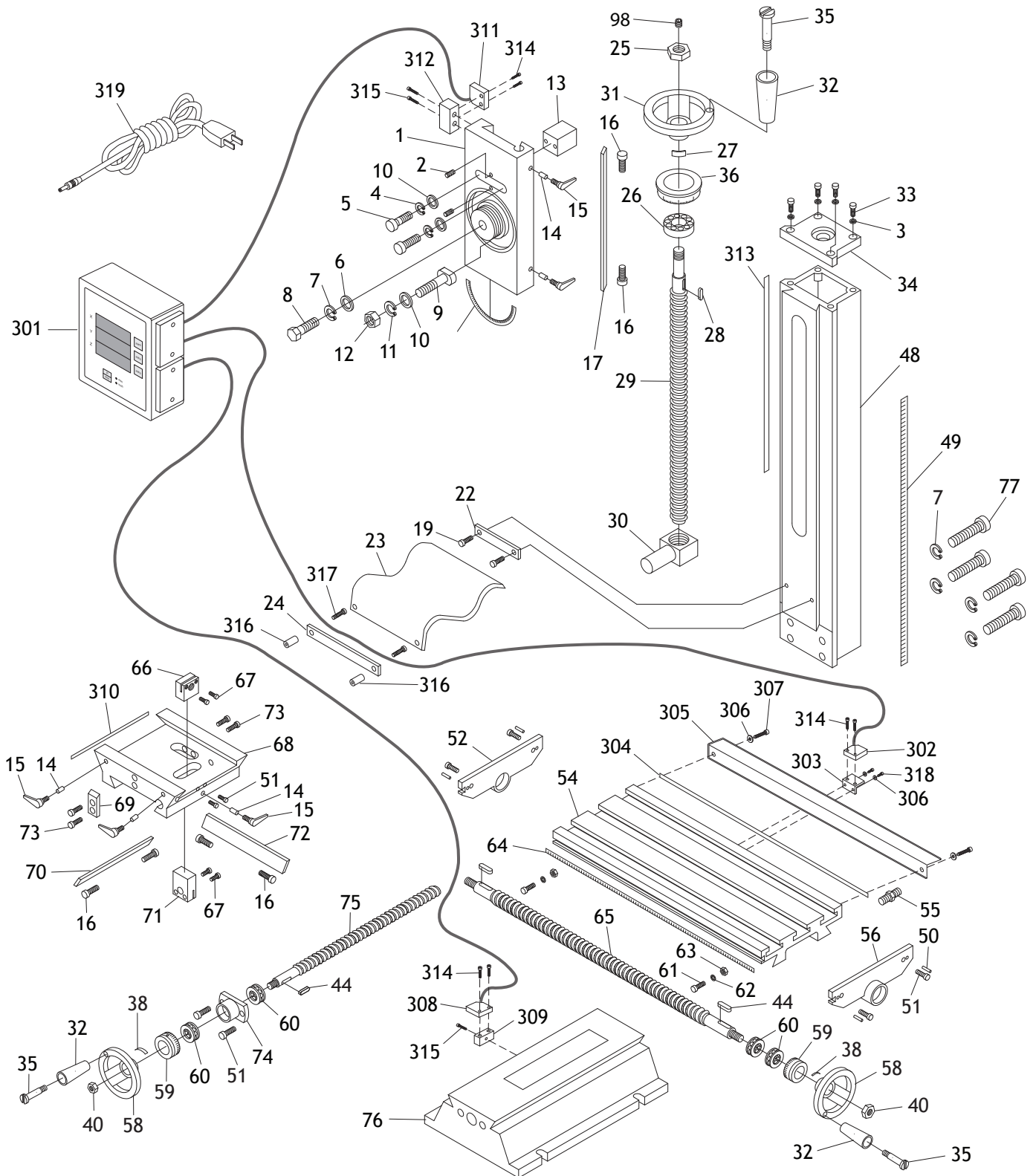


# PARTS

## Column



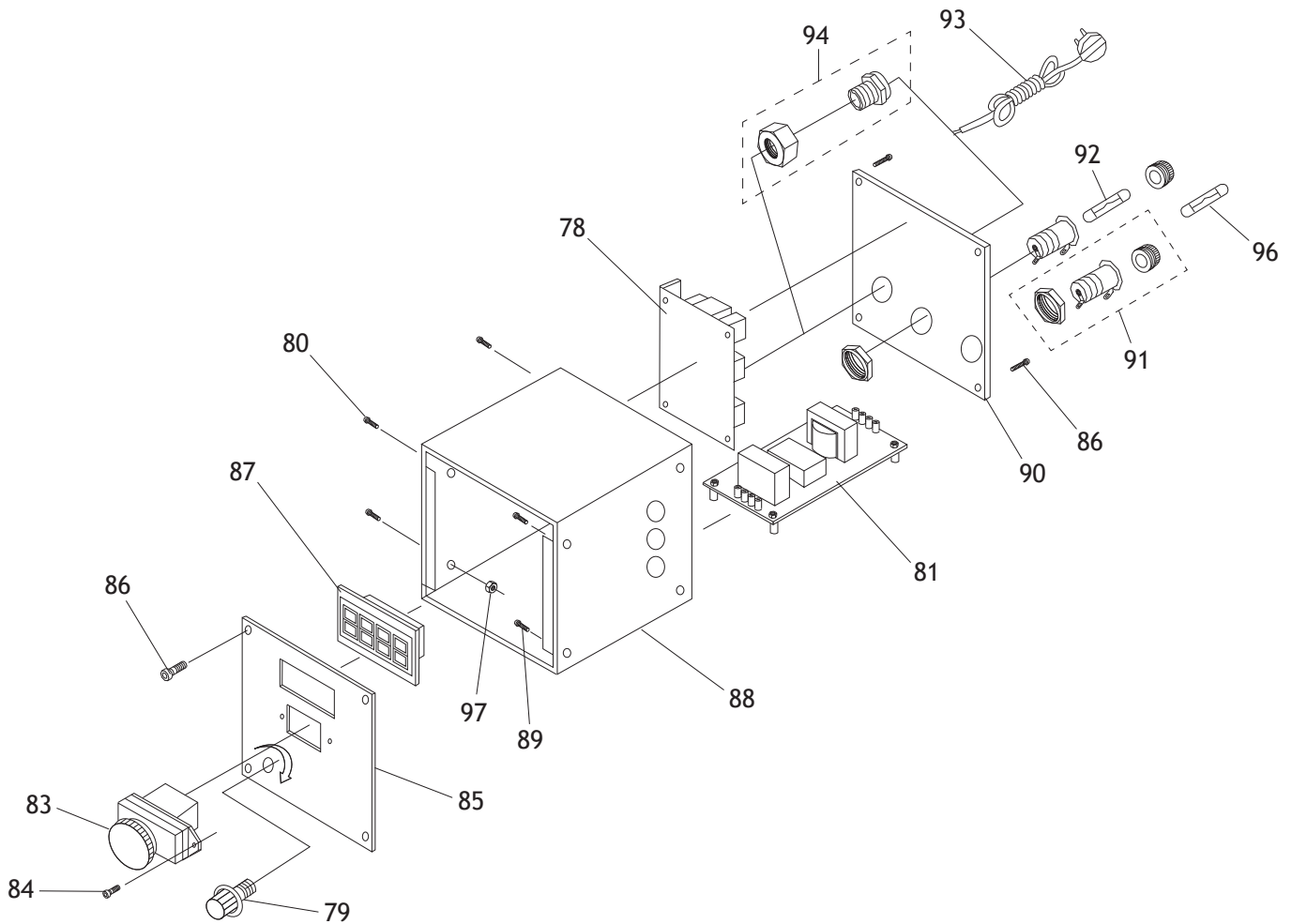
PARTS

# Column Parts List

REF PART #	DESCRIPTION
1	XM1116001 Z-AXIS SLIDE
2	XM1116002 SET SCREW M6-1 X 16
3	XM1116003 FLAT WASHER 6MM
4	XM1116004 LOCK WASHER 8MM
5	XM1116005 CAP SCREW M8-1.25 X 25
6	XM1116006 FLAT WASHER 12MM
7	XM1116007 LOCK WASHER 12MM
8	XM1116008 CAP SCREW M12-1.75 X 40
9	XM1116009 T-BOLT M8-1.25 X 60
10	XM1116010 FLAT WASHER 8MM
11	XM1116011 LOCK WASHER 8MM
12	XM1116012 HEX NUT M8-1.25
13	XM1116013 SLIDE ALIGNMENT BLOCK
14	XM1116014 LOCK PLUNGER, BRASS
15	XM1116015 ADJUSTABLE HANDLE 50L, M6-1 X 16
16	XM1116016 GIB ADJUSTMENT SCREW M6-1 X 25
17	XM1116017 Z-AXIS GIB
18	XM1116018 HEADSTOCK ANGLE SCALE
19	XM1116019 CAP SCREW M5-.8 X 10
22	XM1116022 Z-AXIS WAY COVER BRACKET
23	XM1116023 Y-AXIS WAY COVER
24	XM1116024 Y-AXIS WAY COVER BRACKET
25	XM1116025 HEX NUT M10-1.5 TALL
26	XM1116026 THRUST BEARING 51200
27	XM1116027 INDICATOR PLATE
28	XM1116028 MACHINE KEY 4 X 4 X 16
29	XM1116029 Z-AXIS LEADSCREW
30	XM1116030 Z-AXIS LEADSCREW NUT
31	XM1116031 HANDWHEEL TYPE-4 100D X 10B-K X M6-1
32	XM1116032 HANDLE W/OUT SHAFT 15 X 50, 8D
33	XM1116033 CAP SCREW M6-1 X 14
34	XM1116034 COLUMN TOP COVER
35	XM1116035 SHOULDER SCREW M6-1 X 60, 8 X 45
36	XM1116036 Z-AXIS GRADUATED DIAL
38	XM1116038 HANDWHEEL CURVED PLATE SPRING
40	XM1116040 HEX NUT M8-1.25
44	XM1116044 MACHINE KEY 4 X 4 X 12
48	XM1116048 COLUMN
49	XM1116049 Z-AXIS SCALE
50	XM1116050 THREADED SLEEVE M6-1 X 16
51	XM1116051 CAP SCREW M6-1 X 14
52	XM1116052 X-AXIS LEADSCREW BRACKET (LH)
54	XM1116054 TABLE

REF PART #	DESCRIPTION
55	XM1116055 COOLANT HOSE FITTING
56	XM1116056 X-AXIS LEADSCREW BRACKET (RH)
57	XM1116057 HANDLE W/OUT SHAFT 15 X 50, 8D
58	XM1116058 HANDWHEEL TYPE-4 100D X 10B-K X M6-1
59	XM1116059 TABLE GRADUATED DIAL
60	XM1116060 THRUST BEARING 51100
61	XM1116061 CAP SCREW M6-1 X 10
62	XM1116062 LIMIT STOP
63	XM1116063 T-NUT M6-1
64	XM1116064 X-AXIS SCALE
65	XM1116065 X-AXIS LEADSCREW
66	XM1116066 X-AXIS LEADSCREW NUT
67	XM1116067 CAP SCREW M4-.7 X 20
68	XM1116068 SADDLE
69	XM1116069 TABLE STOP BLOCK
70	XM1116070 Y-AXIS GIB
71	XM1116071 Y-AXIS LEADSCREW NUT
72	XM1116072 X-AXIS GIB
73	XM1116073 CAP SCREW M6-1 X 25
74	XM1116074 X-AXIS BEARING HOUSING
75	XM1116075 X-AXIS LEADSCREW
76	XM1116076 BASE
77	XM1116077 CAP SCREW M12-1.75 X 90
98	XM1116098 SET SCREW M10-1.5 X 8
301	XM1116301 DRO DISPLAY UNIT
302	XM1116302 X-AXIS DRO SENSOR
303	XM1116303 X-AXIS SENSOR MOUNTING BRACKET
304	XM1116304 X-AXIS METALLIC STRIP 10 X 480MM
305	XM1116305 ALUMINUM BRACKET 30 X 480MM
306	XM1116306 FLAT WASHER 4MM
307	XM1116307 CAP SCREW M4-.7 X 8
308	XM1116308 Y-AXIS DRO SENSOR
309	XM1116309 Y-AXIS SENSOR MOUNTING BLOCK
310	XM1116310 Y-AXIS METALLIC STRIP 10 X 150MM
311	XM1116311 Z-AXIS DRO SENSOR
312	XM1116312 Z-AXIS SENSOR MOUNTING BLOCK
313	XM1116313 Z-AXIS METALLIC STRIP 10 X 390MM
314	XM1116314 CAP SCREW M3-.5 X 16
315	XM1116315 CAP SCREW M4-.7 X 16
316	XM1116316 STEEL SLEEVE 5 X 18 X 33L
317	XM1116317 CAP SCREW M5-.8 X 50
318	XM1116318 CAP SCREW M4-.7 X 8
319	XM1116319 DRO POWER CORD 2W 18G 72" 1-15P

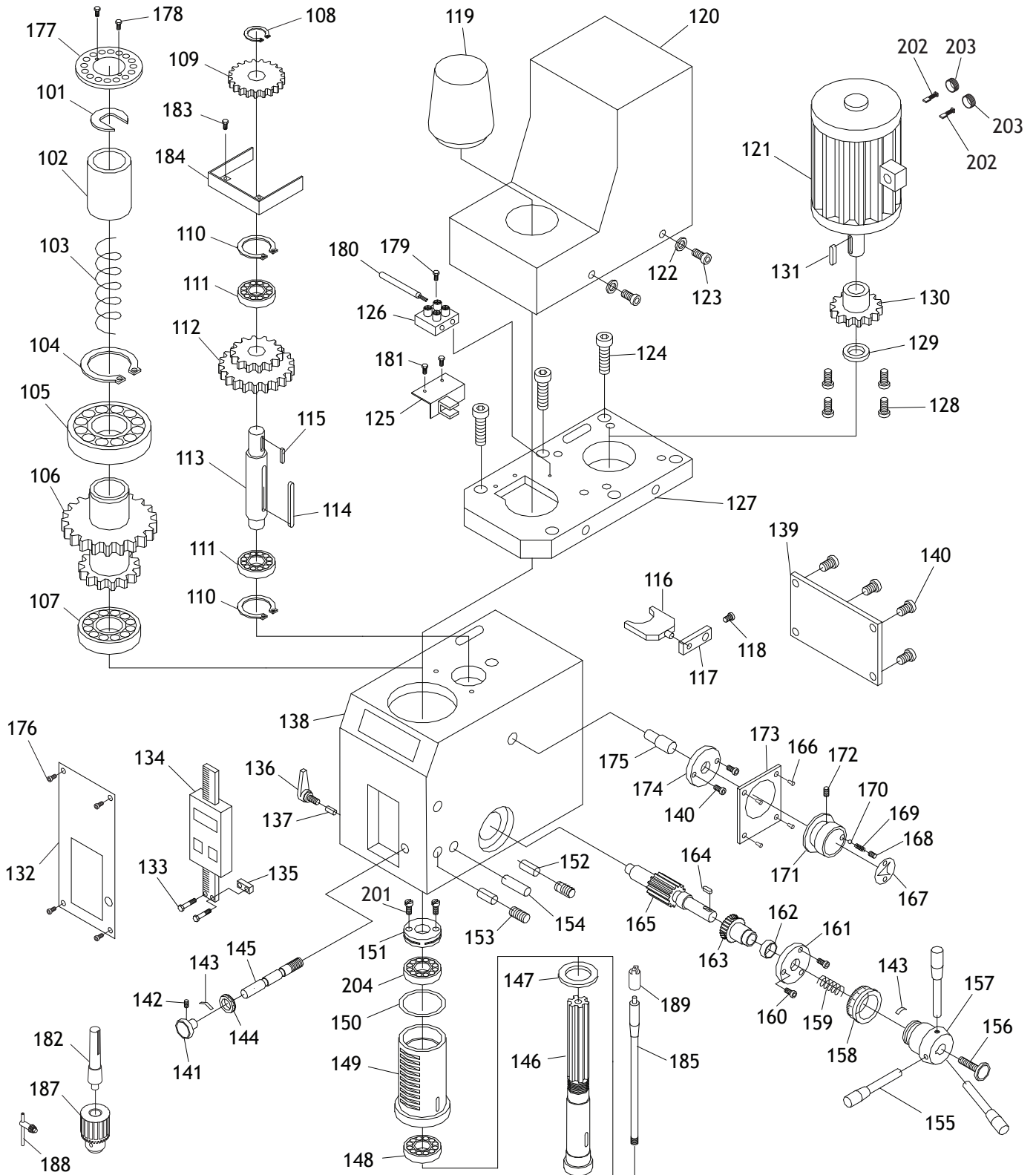
# Control Panel



REF PART #	DESCRIPTION
78	XM1116078 CIRCUIT BOARD JD-014 5WR02J
79	XM1116079 SPINDLE POTENTIOMETER WX14-12
80	XM1116080 CAP SCREW M3-.5 X 16
81	XM1116081 CIRCUIT BOARD CESX 1101-28
83	XM1116083 ON/OFF SWITCH KEDU KJD-17B/120V
84	XM1116084 CAP SCREW M4-.7 X 10
85	XM1116085 CONTROL PANEL PLATE
86	XM1116086 CAP SCREW M4-.7 X 6
87	XM1116087 RPM DIGITAL DISPLAY ZD-SX-THL

REF PART #	DESCRIPTION
88	XM1116088 ELECTRICAL BOX
89	XM1116089 CAP SCREW M5-.8 X 8
90	XM1116090 ELECTRICAL BOX REAR COVER
91	XM1116091 FUSE HOLDER
92	XM1116092 FUSE 15A 250V FAST-ACTING, GLASS
93	XM1116093 POWER CORD 16G 3W 72" 5-15P
94	XM1116094 STRAIN RELIEF M20 X 1.5 TYPE-3
96	XM1116096 FUSE 10A 250V FAST-ACTING, GLASS
97	XM1116097 HEX NUT M3-.5

# Headstock

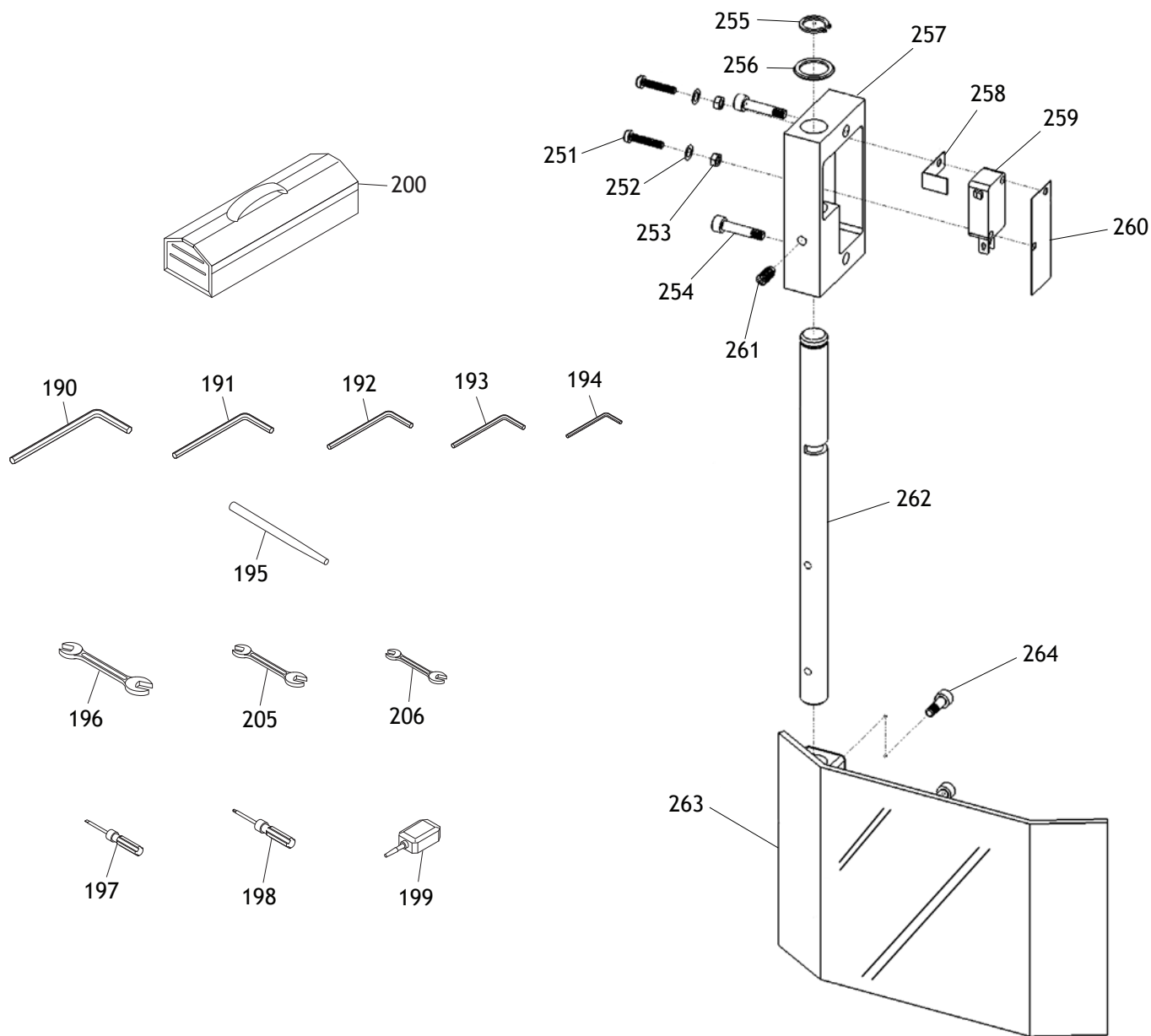


# Headstock Parts List

REF PART #	DESCRIPTION	
101	XM1116101	QUILL RETAINING CLIP
102	XM1116102	BUSHING
103	XM1116103	COMPRESSION SPRING 2.5 X 29 X 100
104	XM1116104	EXT RETAINING RING 45MM
105	XM1116105	BALL BEARING 6209ZZ
106	XM1116106	COMBO GEAR 60/70T
107	XM1116107	ANG CONTACT BEARING 7007-2RSD
108	XM1116108	EXT RETAINING RING 15MM
109	XM1116109	GEAR 37T
110	XM1116110	EXT RETAINING RING 32MM
111	XM1116111	BALL BEARING 6002ZZ
112	XM1116112	COMBO GEAR 42/62T
113	XM1116113	SHAFT
114	XM1116114	MACHINE KEY 5 X 5 X 50
115	XM1116115	MACHINE KEY 5 X 5 X 12
116	XM1116116	FORK
117	XM1116117	FORK ARM
118	XM1116118	CAP SCREW M5-.8 X 8
119	XM1116119	DRAWBAR CAP
120	XM1116120	MOTOR COVER
121	XM1116121	MOTOR 600W 110VDC
122	XM1116122	FLAT WASHER 4MM
123	XM1116123	CAP SCREW M4-.7 X 8
124	XM1116124	CAP SCREW M6-1 X 14
125	XM1116125	L-BRACKET
126	XM1116126	SPEED SENSOR
127	XM1116127	MOTOR MOUNT
128	XM1116128	CAP SCREW M5-.8 X 12
129	XM1116129	MOTOR GEAR RING
130	XM1116130	GEAR 25T
131	XM1116131	MACHINE KEY 4 X 4 X 6
132	XM1116132	HEADSTOCK FRONT PANEL PLATE
133	XM1116133	HEX BOLT M3-.5 X 6
134	XM1116134	Z-AXIS DRO ASSEMBLY
135	XM1116135	DRO SLIDE MOUNT
136	XM1116136	ADJUSTABLE HANDLE 50L, M6-1 X 16
137	XM1116137	LOCK PLUNGER, BRASS
138	XM1116138	HEADSTOCK CASTING
139	XM1116139	HEADSTOCK REAR COVER
140	XM1116140	CAP SCREW M4-.7 X 8
141	XM1116141	FINE DOWNFEED KNOB 12 X 26 X 45D
142	XM1116142	SET SCREW M5-.8 X 6
143	XM1116143	SPRING PIECE
144	XM1116144	FINE DOWNFEED GRADUATED DIAL
145	XM1116145	WORM SHAFT
146	XM1116146	SPINDLE R8

REF PART #	DESCRIPTION	
147	XM1116147	QUILL SEAL, RUBBER (LOWER)
148	XM1116148	TAPERED ROLLER BEARING 32005
149	XM1116149	QUILL
150	XM1116150	QUILL SEAL, RUBBER (UPPER)
151	XM1116151	PRELOAD ADJUSTER NUT
152	XM1116152	DOWEL PIN 4 X 20, BRASS
153	XM1116153	SET SCREW M5-.8 X 12
154	XM1116154	DOWEL PIN 6 X 30
155	XM1116155	COARSE DOWNFEED LEVER M10-1.5 X 14
156	XM1116156	KNOB BOLT M8-1.25 X 30
157	XM1116157	COARSE DOWNFEED HUB
158	XM1116158	COARSE DOWNFEED GRADUATED DIAL
159	XM1116159	COMPRESSION SPRING 1.2 X 12 X 2.5
160	XM1116160	CAP SCREW M4-.7 X 40
161	XM1116161	FLANGE
162	XM1116162	BUSHING
163	XM1116163	WORM GEAR
164	XM1116164	MACHINE KEY 4 X 4 X 12
165	XM1116165	GEAR SHAFT 16T
166	XM1116166	RIVET 2 X 5MM NAMEPLATE, STEEL
167	XM1116167	HI/LO GEAR INDICATOR PLATE
168	XM1116168	SET SCREW M8-1.25 X 8
169	XM1116169	COMPRESSION SPRING 0.8 X 5 X 25
170	XM1116170	STEEL BALL 6.5MM
171	XM1116171	HI/LO GEAR KNOB 50D
172	XM1116172	SET SCREW M5-.8 X 16
173	XM1116173	SPEED KNOB PLATE
174	XM1116174	FORK SHAFT FLANGE
175	XM1116175	FORK SHAFT
176	XM1116176	CAP SCREW M3-.5 X 6
177	XM1116177	SPINDLE RING 16MM
178	XM1116178	CAP SCREW M3-.5 X 6
179	XM1116179	HEX BOLT M3-.5 X 12
180	XM1116180	SPEED SENSOR CORD
181	XM1116181	HEX BOLT M3-.5 X 6
182	XM1116182	DRILL CHUCK ARBOR R8 X B16
183	XM1116183	CAP SCREW M3-.5 X 6
184	XM1116184	GEAR GUARD
185	XM1116185	DRAWBAR 7/16-20 X 9-7/8
187	XM1116187	DRILL CHUCK B16 3-16MM
188	XM1116188	DRILL CHUCK KEY 1/4" STD 11T SD-3/4"
189	XM1116189	DRAWBAR RETAINER CAP
201	XM1116201	PRELOAD ADJUSTER SCREW M5-.8 X 10
202	XM1116202	MOTOR CARBON BRUSH
203	XM1116203	MOTOR CARBON BRUSH CAP 1-PC
204	XM1116204	TAPERED ROLLER BEARING 32005

# Tools & Chip Guard



REF	PART #	DESCRIPTION
190	XM1116190	HEX WRENCH 6MM
191	XM1116191	HEX WRENCH 5MM
192	XM1116192	HEX WRENCH 4MM
193	XM1116193	HEX WRENCH 3MM
194	XM1116194	HEX WRENCH 2.5MM
195	XM1116195	SPINDLE PIN
196	XM1116196	WRENCH 17 X 19MM OPEN-ENDS
197	XM1116197	SCREWDRIVER FLAT #2
198	XM1116198	SCREWDRIVER PHILLIPS #2
199	XM1116199	BOTTLE FOR OIL
200	XM1116200	TOOLBOX
205	XM1116205	WRENCH 12 X 14MM OPEN-ENDS
206	XM1116206	WRENCH 8 X 10MM OPEN-ENDS
251	XM1116251	CAP SCREW M3-.5 X 16

REF	PART #	DESCRIPTION
252	XM1116252	FLAT WASHER 3MM
253	XM1116253	HEX NUT M3-.5
254	XM1116254	CAP SCREW M5-.8 X 15
255	XM1116255	EXT RETAINING RING 12MM
256	XM1116256	WAVY WASHER 20MM
257	XM1116257	GUARD MOUNTING BLOCK
258	XM1116258	LIMIT SWITCH L-BRACKET, COPPER
259	XM1116259	LIMIT SWITCH DATER KW1-103
260	XM1116260	PROTECTIVE PAPER
261	XM1116261	SET SCREW M5-.8 X 10
262	XM1116262	CHIP GUARD POST
263	XM1116263	CHIP GUARD
264	XM1116264	PHLP HD SCR M4-.7 X 10

# Labels & Cosmetics

**416** Control panel with speed dial and RPM indicators (50 RPM - L - 1000 RPM, 100 RPM - H - 2000 RPM). Includes a notice: "To avoid high-speed startup, turn dial to lowest position before starting machine."

**401** Read Manual Label: "READ AND UNDERSTAND MANUAL! To avoid serious injury! If a manual is not available, DO NOT use machine! Instead, go to www.woodstockint.com or call (360) 734-3482."

**402** Model Number Label: "M1116"

**403** Shop Fox Label: "SHOP FOX" logo.

**404** Eye Injury Warning Label: "EYEFACE INJURY HAZARD! Always wear ANSI-approved safety glasses and face shield when using this machine."

**405** Entanglement Hazard Label: "ENTANGLEMENT HAZARD! Tie back long hair and roll up sleeves before using this machine."

**406** HI/LO Speed Range Label: "H" and "L" with a speed selector dial. Includes a notice: "To avoid accidental high-speed startup, move the speed selector to the low (L) position after use."

**407** General Warnings Label: "WARNING! To reduce the risk of serious personal injury while using this machine: 1. Read and understand manual before operating. 2. Always wear approved safety glasses AND a face shield. 3. Only plug power cord into a grounded outlet. 4. Disconnect power before setting up, adjusting, or servicing. 5. Tie back long hair, roll up long sleeves, and DO NOT wear loose clothing, gloves, or jewelry. 6. Properly set up machine before starting. 7. Keep all guards and covers in place during operation. 8. Never use hands to secure workpiece to table during operation—use clamps or a vise. 9. Avoid positioning hands where they could slip into rotating bits. 10. Always use proper feeds and speeds for operation and workpiece. 11. Do not expose to rain or use in wet locations. 12. Always remove adjustment tools before starting. 13. Never attempt to slow or stop spindle with hands or tools. 14. Do not operate when tired or under influence of drugs or alcohol. 15. Prevent unauthorized use by children or untrained users; restrict access or disable machine when unattended."

**408** (D4780 only) Shop Fox Nameplate: "SHOP FOX" logo on the optional stand.

**409** Tipping Hazard Label: "TIPPING HAZARD! Properly secure machine-to-stand and stand-to-floor to reduce risk of injury or property damage." (D4780 only)

**410** Touch-up paint for the machine body.

**411** Touch-up paint for the machine head.

**412** Machine ID Label: "Model M1116 Specifications" table.

**413** Avoid Overheating Motor Label: "AVOID OVERHEATING MOTOR! DO NOT operate with variable speed dial at full RPM for than a couple minutes or motor overheating may occur. Instead, achieve the same spindle speed by using the high 'H' speed range and reducing the motor RPM by turning the variable speed dial down."

**414** Disconnect Power Label: "ACCIDENTAL INJURY HAZARD! Disconnect power supply before adjustments, setup or maintenance!"

**415** Electricity Label: "WARNING! (Rear)" with a lightning bolt symbol.

**416** Control panel (repeated).

**417** Control panel (repeated).

**418** Control panel (repeated).

**419** Control panel (repeated).

**420** Control panel (repeated).

**421** Control panel (repeated).

**422** Control panel (repeated).

**423** Control panel (repeated).

**424** Control panel (repeated).

**425** Control panel (repeated).

**426** Control panel (repeated).

**427** Control panel (repeated).

**428** Control panel (repeated).

**429** Control panel (repeated).

**430** Control panel (repeated).

**431** Control panel (repeated).

**432** Control panel (repeated).

**433** Control panel (repeated).

**434** Control panel (repeated).

**435** Control panel (repeated).

**436** Control panel (repeated).

**437** Control panel (repeated).

**438** Control panel (repeated).

**439** Control panel (repeated).

**440** Control panel (repeated).

**441** Control panel (repeated).

**442** Control panel (repeated).

**443** Control panel (repeated).

**444** Control panel (repeated).

**445** Control panel (repeated).

**446** Control panel (repeated).

**447** Control panel (repeated).

**448** Control panel (repeated).

**449** Control panel (repeated).

**450** Control panel (repeated).

**451** Control panel (repeated).

**452** Control panel (repeated).

**453** Control panel (repeated).

**454** Control panel (repeated).

**455** Control panel (repeated).

**456** Control panel (repeated).

**457** Control panel (repeated).

**458** Control panel (repeated).

**459** Control panel (repeated).

**460** Control panel (repeated).

**461** Control panel (repeated).

**462** Control panel (repeated).

**463** Control panel (repeated).

**464** Control panel (repeated).

**465** Control panel (repeated).

**466** Control panel (repeated).

**467** Control panel (repeated).

**468** Control panel (repeated).

**469** Control panel (repeated).

**470** Control panel (repeated).

**471** Control panel (repeated).

**472** Control panel (repeated).

**473** Control panel (repeated).

**474** Control panel (repeated).

**475** Control panel (repeated).

**476** Control panel (repeated).

**477** Control panel (repeated).

**478** Control panel (repeated).

**479** Control panel (repeated).

**480** Control panel (repeated).

**481** Control panel (repeated).

**482** Control panel (repeated).

**483** Control panel (repeated).

**484** Control panel (repeated).

**485** Control panel (repeated).

**486** Control panel (repeated).

**487** Control panel (repeated).

**488** Control panel (repeated).

**489** Control panel (repeated).

**490** Control panel (repeated).

**491** Control panel (repeated).

**492** Control panel (repeated).

**493** Control panel (repeated).

**494** Control panel (repeated).

**495** Control panel (repeated).

**496** Control panel (repeated).

**497** Control panel (repeated).

**498** Control panel (repeated).

**499** Control panel (repeated).

**500** Control panel (repeated).

**WARNING**

Safety labels warn about machine hazards and how to prevent serious personal injury. The owner of this machine **MUST** maintain the original location and readability of all labels on this machine. If any label is removed or becomes unreadable, **REPLACE** that label before allowing machine to be operated again. Contact us at (360) 734-3482 or www.woodstockint.com to order new labels.

REF	PART #	DESCRIPTION
401	XM1116401	READ MANUAL LABEL
402	XM1116402	MODEL NUMBER LABEL
403	XM1116403	SHOP FOX LABEL
404	XM1116404	EYE INJURY WARNING LABEL
405	XM1116405	ENTANGLEMENT HAZARD LABEL
406	XM1116406	HI/LO SPEED RANGE LABEL
407	XM1116407	GENERAL WARNINGS LABEL
408	XM1116408	SHOP FOX NAMEPLATE (D4780)

REF	PART #	DESCRIPTION
409	XM1116409	TIPPING HAZARD LABEL (D4780)
410	XM1116410	TOUCH-UP PAINT, SHOP FOX BLACK
411	XM1116411	TOUCH-UP PAINT, SHOP FOX WHITE
412	XM1116412	MACHINE ID LABEL
413	XM1116413	AVOID OVERHEATING MOTOR LABEL
414	XM1116414	DISCONNECT POWER LABEL
415	XM1116415	ELECTRICITY LABEL
416	XM1116416	CONTROL PANEL LABEL