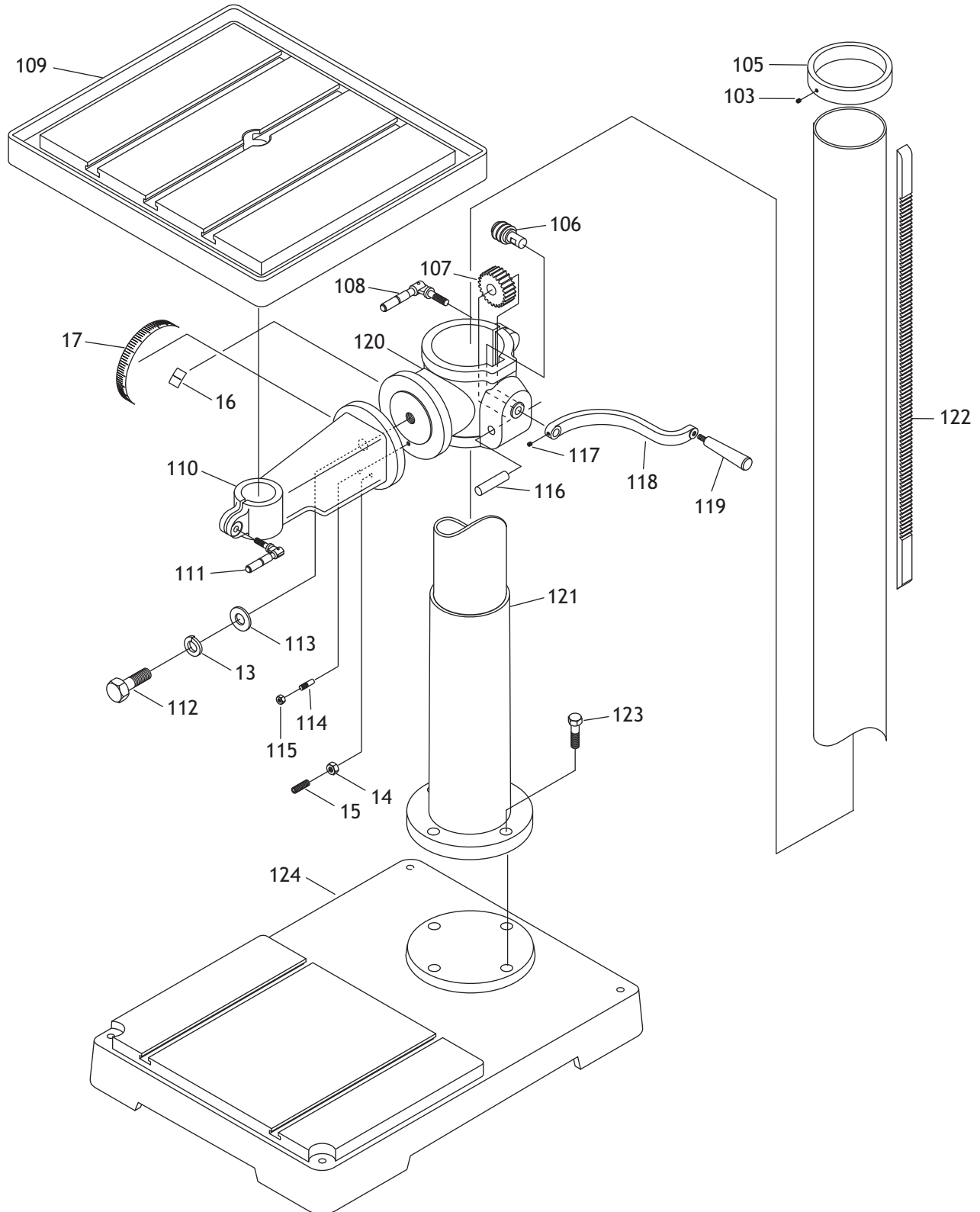
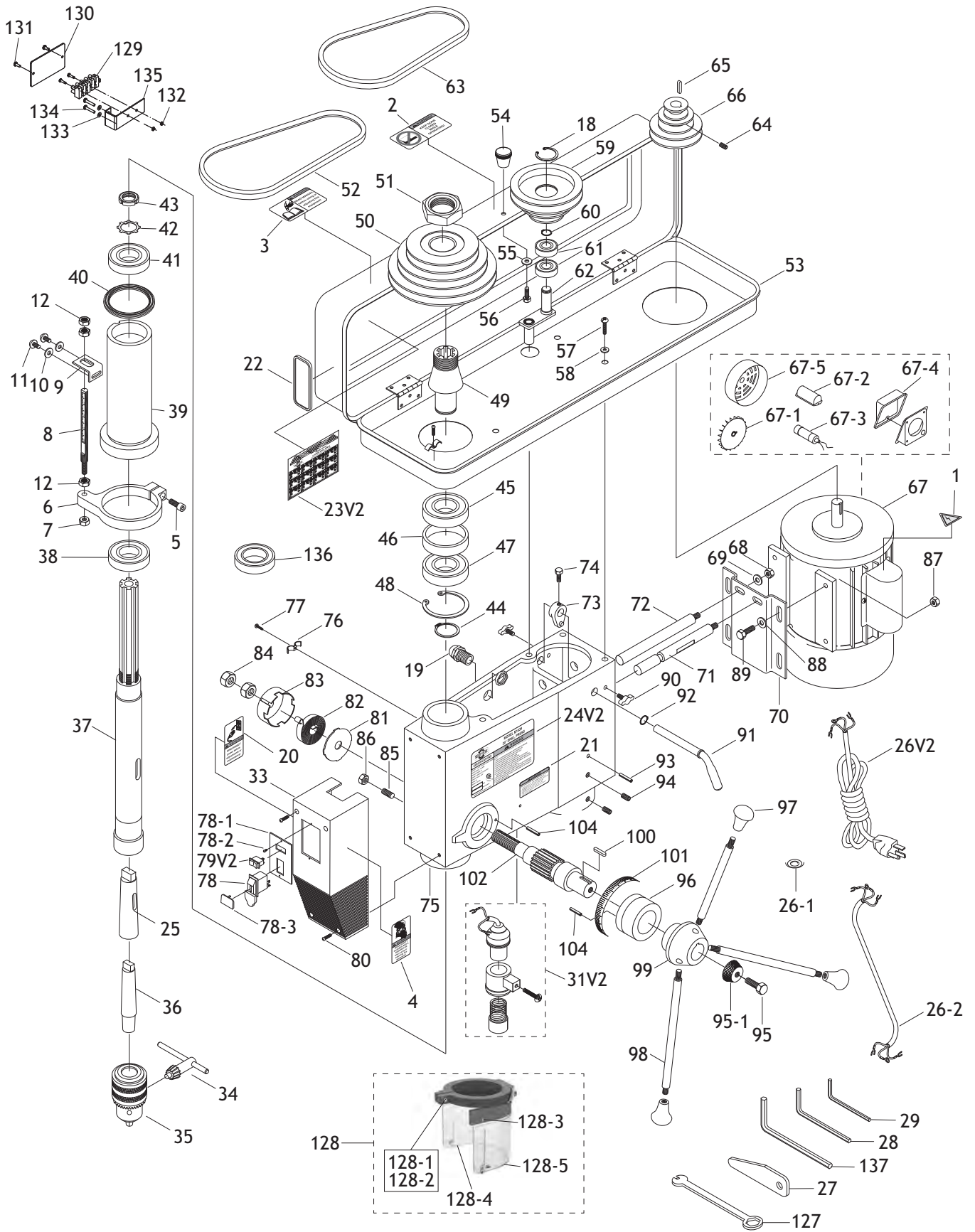


# PARTS

## Table & Column



# Headstock



# Parts List

REF	PART #	DESCRIPTION	REF	PART #	DESCRIPTION
1	XM1039001	ELECTRICITY LABEL	53	XM1039053	PULLEY COVER
2	XM1039002	CLOSE DOOR HORIZ LABEL	54	XM1039054	ROUND KNOB M5-.8
3	XM1039003	READ MANUAL LABEL	55	XM1039055	FLAT WASHER 5MM
4	XM1039004	RESP/GLASSES LABEL	56	XM1039056	PHLP HD SCR M5-.8 X 10
5	XM1039005	CAP SCREW M8-1.25 X 20	57	XM1039057	PHLP HD SCR M8-1.25 X 12
6	XM1039006	QUILL CLAMP	58	XM1039058	FLAT WASHER 8MM
7	XM1039007	HEX NUT M8-1.25	59	XM1039059	CENTER PULLEY
8	XM1039008	DEPTH STOP SCALE STUD	60	XM1039060	EXT RETAINING RING 15MM
9	XM1039009	DEPTH STOP BRACKET	61	XM1039061	BALL BEARING 6202
10	XM1039010	FLAT WASHER 5MM	62	XM1039062	CENTER SHAFT
11	XM1039011	PHLP HD SCR M5-.8 X 8	63	XM1039063	V-BELT A-26 4L260
12	XM1039012	HEX NUT M12-1.5	64	XM1039064	SET SCREW M6-1 X 10
13	XM1039013	LOCK WASHER 3/4	65	XM1039065	KEY 5 X 5 X 25
14	XM1039014	HEX NUT M10-1.5	66	XM1039066	MOTOR PULLEY
15	XM1039015	SET SCREW M10-1.5 X 28	67	XM1039067	MOTOR 1-1/2HP
16	XM1039016	INDICATOR	67-1	XM1039067-1	MOTOR FAN
17	XM1039017	DEGREE SCALE	67-2	XM1039067-2	CAPACITOR COVER
18	XM1039018	INT RETAINING RING 35MM	67-3	XM1039067-3	S CAPACITOR 400MFD 250VAC
19	XM1039019	STRAIN RELIEF	67-4	XM1039067-4	WIRING BOX COVER
20	XM1039020	UNPLUG LABEL	67-5	XM1039067-5	FAN COVER
21	XM1039021	DP LIGHTS LABEL	68	XM1039068	NUT M12-1.75
22	XM1039022	SHOP FOX BLACK/AL LABEL	69	XM1039069	FLAT WASHER 12MM
23V2	XM1039023V2	SPEED CHART M1039 V2.01.18	70	XM1039070	MOTOR BASE
24V2	XM1039024V2	MACHINE ID LABEL CSA V2.01.18	71	XM1039071	SLIDE BAR (RIGHT)
25	XM1039025	SLEEVE MT#4	72	XM1039072	SLIDE BAR (LEFT)
26V2	XM1039026V2	POWER CORD 3W 14G 72" 5-20P V2.01.18	73	XM1039073	SHIFTER
26-1	XM1039026-1	WIRE GASKET	74	XM1039074	HEX BOLT M8-1.25 X 16
26-2	XM1039026-2	MOTOR CORD	75	XM1039075	HEADSTOCK
27	XM1039027	DRIFT KEY	76	XM1039076	CLAMP CORD
28	XM1039028	HEX WRENCH 4MM	77	XM1039077	PHLP HD SCR M5-.8 X 10
29	XM1039029	HEX WRENCH 3MM	78	XM1039078	SWITCH 120V WITH KEY
31V2	XM1039031V2	LIGHT SOCKET ASSY CSA V2.01.18	78-1	XM1039078-1	SWITCH PLATE
33	XM1039033	SWITCH BOX	78-2	XM1039078-2	TAP SCREW M4 X 12
34	XM1039034	CHUCK KEY	78-3	XM1039078-3	SWITCH KEY
35	XM1039035	CHUCK JT3 X 1-16MM	79V2	XM1039079V2	ROCKER SWITCH V2.01.18
36	XM1039036	ARBOR JT3 x MT#4	80	XM1039080	PHLP HD SCR M5-.8 X 14
37	XM1039037	SPINDLE	81	XM1039081	SPRING COVER
38	XM1039038	BALL BEARING 6207ZZ	82	XM1039082	FLAT COIL SPRING
39	XM1039039	SPINDLE SLEEVE	83	XM1039083	SPRING CAP
40	XM1039040	RUBBER WASHER	84	XM1039084	HEX NUT M16-1.5
41	XM1039041	BALL BEARING 6206ZZ	85	XM1039085	SPEC SET SCREW M10-1.5 X 30
42	XM1039042	TAB WASHER	86	XM1039086	HEX NUT M10-1.5
43	XM1039043	ROUND NUT	87	XM1039087	HEX NUT M8-1.25
44	XM1039044	EXT RETAINING RING 35MM	88	XM1039088	FLAT WASHER 8MM
45	XM1039045	BALL BEARING 6207	89	XM1039089	HEX BOLT M8-1.25 X 25
46	XM1039046	SPACER	90	XM1039090	KNOB BOLT M10-1.5 X 35
47	XM1039047	BALL BEARING 6207	91	XM1039091	SHIFTER BAR
48	XM1039048	INT RETAINING RING 72MM	92	XM1039092	EXT RETAINING RING 16MM
49	XM1039049	PULLEY INSERT	93	XM1039093	ROLL PIN 8 X 25
50	XM1039050	SPINDLE PULLEY	94	XM1039094	SET SCREW M10-1.5 X 10
51	XM1039051	PULLEY NUT	95	XM1039095	HEX BOLT M10-1.5 X 30
52	XM1039052	V-BELT A-32 4L320	95-1	XM1039095-1	PLASTIC LOCK CAP

## Parts List (Cont.)

REF	PART #	DESCRIPTION
96	XM1039096	STAFF GAUGE
97	XM1039097	FEED HANDLE KNOB M12-1.75
98	XM1039098	HANDLE
99	XM1039099	HANDLE BODY
100	XM1039100	KEY 6 X 6 X 20
101	XM1039101	SCALE RING
102	XM1039102	FEED SHAFT
103	XM1039103	SET SCREW M10-1.5 X 10
104	XM1039104	ROLL PIN 4 X 20
105	XM1039105	RACK RING
106	XM1039106	WORM GEAR
107	XM1039107	GEAR
108	XM1039108	LARGE LOCKING LEVER
109	XM1039109	TABLE
110	XM1039110	TABLE ARM BRACKET
111	XM1039111	SMALL LOCKING LEVER
112	XM1039112	HEX BOLT M20-2.5 X 45
113	XM1039113	FLAT WASHER 3/4
114	XM1039114	PIN
115	XM1039115	HEX NUT M6-1
116	XM1039116	SHAFT
117	XM1039117	SET SCREW M8-1.25 X 10
118	XM1039118	HANDLE ARM

REF	PART #	DESCRIPTION
119	XM1039119	HANDLE
120	XM1039120	TABLE BRACKET
121	XM1039121	COLUMN
122	XM1039122	RACK
123	XM1039123	HEX BOLT M12-1.75 X 40
124	XM1039124	BASE
127	XM1039127	FLAT LOCK WRENCH 12 X 30
128	XM1039128	CHUCK GUARD ASSEMBLY
128-1	XM1039128-1	PHLP HD SCR M4-.7 X 30
128-2	XM1039128-2	HEX NUT M4-.7
128-3	XM1039128-3	TAP SCREW M2.2 X 4.5
128-4	XM1039128-4	HEX BOLT M5-.8 X 12
128-5	XM1039128-5	WING NUT M5-.8
129	XM1039129	TERMINAL BAR CSA
130	XM1039130	METAL COVER
131	XM1039131	PHLP HD SCR M4-.7 X 10
132	XM1039132	HEX NUT M4-.7
133	XM1039133	FLAT WASHER 4MM
134	XM1039134	PHLP HD SCR M4-.7 X 20
135	XM1039135	SUPPORT PLATE
136	XM1039136	THRUST BEARING 51107
137	XM1039137	HEX WRENCH 5MM

### WARNING

Safety labels warn about machine hazards and how to prevent serious personal injury. The owner of this machine **MUST** maintain the original location and readability of all labels on this machine. If any label is removed or becomes unreadable, **REPLACE** that label before allowing machine to be operated again. Contact us at (360) 734-3482 or [www.woodstockint.com](http://www.woodstockint.com) to order new labels.