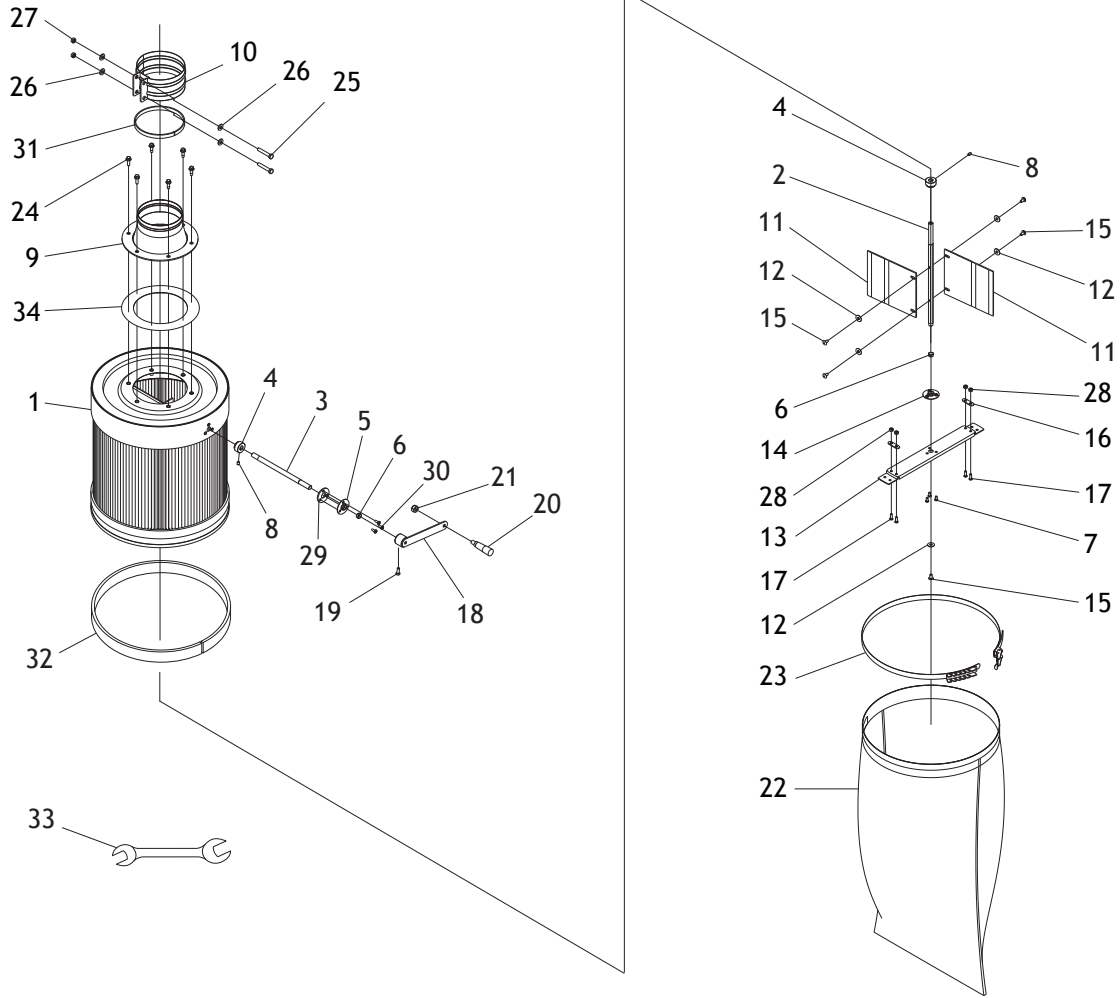


# D4645 Parts Breakdown & List



REF	PART #	DESCRIPTION
1	XD4645001	CANISTER FILTER 15" X 16-3/16"
2	XD4645002	MAIN SPINDLE
3	XD4645003	CRANK SPINDLE
4	XD4645004	BEVEL GEAR
5	XD4645005	BEARING PLATE
6	XD4645006	BUSHING
7	XD4645007	PHLP HD SCR M5-.8 X 10
8	XD4645008	SET SCREW 1/4-20 X 5/16
9	XD4645009	COLLECTION FLANGE
10	XD4645010	CONNECTION COLLAR
11	XD4645011	CLEANOUT FLAPPER
12	XD4645012	FLAT WASHER 1/4
13	XD4645013	SPINDLE BRACKET
14	XD4645014	BEARING PLATE
15	XD4645015	PHLP HD SCR M6-1 X 12
16	XD4645016	MOUNTING PLATE
17	XD4645017	PHLP HD SCR M5-.8 X 10

REF	PART #	DESCRIPTION
18	XD4645018	CLEAN-OUT CRANK ARM
19	XD4645019	HEX BOLT M6-1 X 16
20	XD4645020	CRANK HANDLE M10-1.5 X 14, 98L
21	XD4645021	LOCK NUT M10-1.5
22	XD4645022	COLLECTION BAG 22-3/4" X 30"
23	XD4645023	BAG CLAMP
24	XD4645024	FLANGE SCREW 1/4-20 X 3/4
25	XD4645025	HEX BOLT 5/16-18 X 2
26	XD4645026	FLAT WASHER 5/16
27	XD4645027	HEX NUT 5/16-18
28	XD4645028	HEX NUT M5-.8
29	XD4645029	GASKET (RUBBER)
30	XD4645030	PHLP HD SCR M5-.8 X 8
31	XD4645031	FLANGE SEAL (FOAM)
32	XD4645032	FILTER SEAL (FOAM)
33	XD4645033	WRENCH 10 X 12MM OPEN-ENDS
34	XD4645034	FLANGE GASKET (FOAM)