

Model W1733A Downdraft Sanding Table Instruction Sheet



Phone #: (360) 734-3482 • Online Tech Support: tech-support@shopfox.biz • Web: www.shopfox.biz

Specifications

- Dust Port Size4" OD
- Minimum Dust Collector Inlet Size..... 4"
- Overall Size.....20" D x 40" W x 9½" H
- Weight..... 30 LBS

Dust Collection

Connect the downdraft sanding table to a dust collection system with a 4" dust hose and hose clamp, as shown in **Figure 2**.

Operation

Start the dust collector and sand the workpiece on the table, as shown in **Figure 3**.



Figure 1. Model W1733A.

⚠ WARNING	
	Always wear safety glasses and a respirator during operation to reduce risk of severe eye injury or long-term respiratory damage.

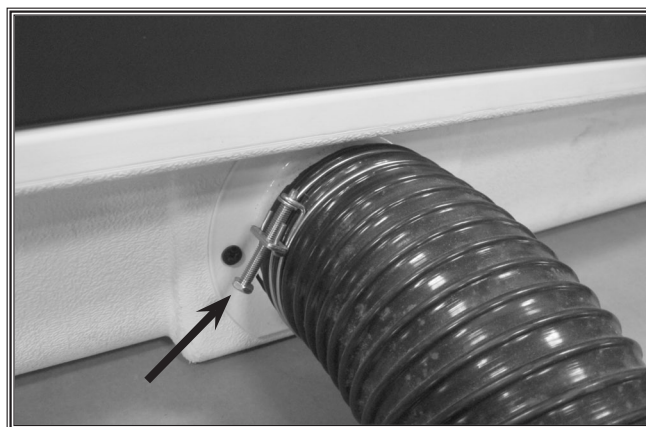


Figure 2. Dust port connected to dust collection system.

Cleaning

Clean the table surface with a damp rag or pitch/resin remover. Before cleaning, test an inconspicuous area of the table to ensure that the selected cleaner will not damage the table finish. **DO NOT** use brake parts cleaner, acetone, harsh solvents, or gasoline—these will ruin the finish on the table surface.

Customer Service

For questions contact Woodstock International Technical Support at (360) 734-3482, or send e-mail to: tech-support@shopfox.biz.

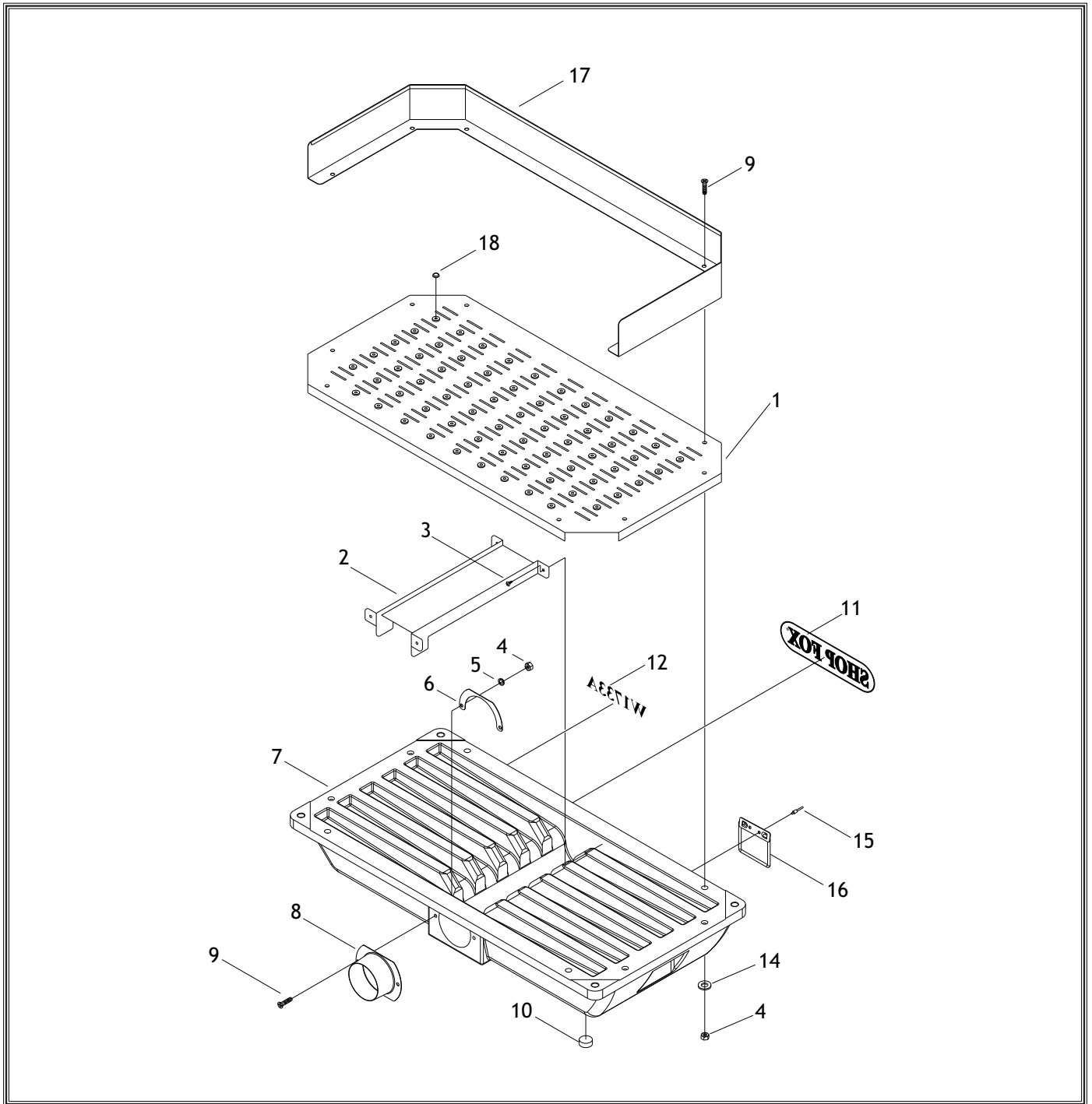


Figure 3. Sanding on the downdraft table.

COPYRIGHT © JUNE, 2011 BY WOODSTOCK INTERNATIONAL, INC.

WARNING: NO PORTION OF THIS MANUAL MAY BE REPRODUCED IN ANY SHAPE OR FORM WITHOUT THE WRITTEN APPROVAL OF WOODSTOCK INTERNATIONAL, INC.

W1733A PARTS BREAKDOWN



REF	PART #	DESCRIPTION
1	X1733A001	TABLETOP
2	X1733002	DUST CHUTE
3	XPHTEK5M	TAP SCREW M4.2 x 12
4	XPN05	HEX NUT 1/4-20
5	XPLW02	LOCK WASHER 1/4
6	X1733006	REINFORCEMENT PLATE
7	X1733007	BASE
8	X1733008	DUST PORT 4"
9	XPFH12	FLAT HD SCR 1/4-20 X 1

REF	PART #	DESCRIPTION
10	X1733010	FOOT PAD
11	X1733011	SHOP FOX LOGO LABEL
12	X1733A012	MODEL NUMBER LABEL
14	XPW06	FLAT WASHER 1/4"
15	X1733015	BLIND RIVET
16	X1733016	HANDLE
17	X1733A017	DUST SKIRT
18	X1733A018	RUBBER KNOB