



INSTRUCTIONS FOR ONE MACHINE DUST COLLECTION HOOK-UP KIT

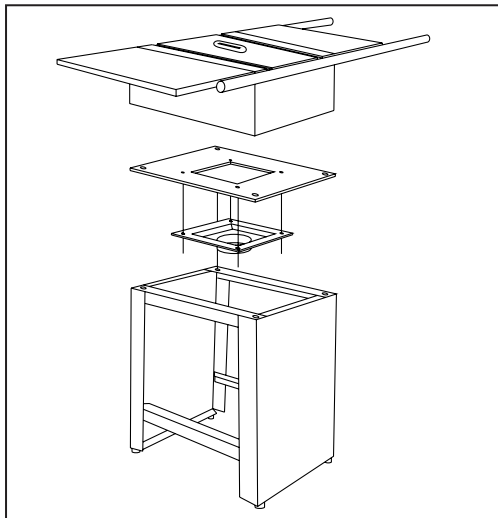
This dust collection kit allows one woodworking machine to be connected to a dust collector within close proximity. This kit includes: 1 - 10' section of 4" Flex-hose, 1 - Universal Dust Hood and 2 - Hose Clamps. If your dust collector inlet port is larger than 4", you will need to reduce to 4". Refer to the heating and cooling section at your local hardware store for reducers.

Hood Set Up:

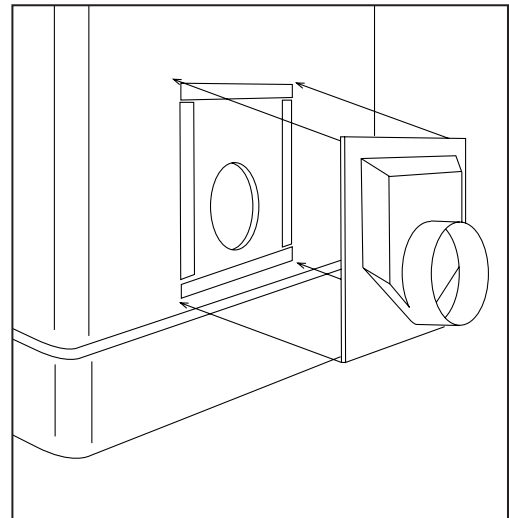
1. Attach the Universal Hood over your woodworking machine dust port with either double sided carpet tape, foam mounting tape, or sheet metal screws. If using screws, pre-drill 4 screw holes in the hood flange. If your woodworking machine does not have a dust port, it will be necessary to make a modification.

One type of modification requires an intermediate mounting adapter to decrease the dust port opening. The need for an intermediate adapter is necessary for open frame contractor type table saws and whenever an opening must be reduced to accommodate the Universal Hood. The intermediate adapter can be either a piece of thin plywood or sheet metal with a hole cutout. The cutout should be sized smaller than the Universal hood flange so that the hood will surface mount to the adapter.

A second modification type may require cutting a dust port hole in an enclosed stand where non exists. If cutting a hole, locate it near the bottom of the compartment and away from the operator's normal position. Surface mount the Universal Hood over the hole with double sided carpet tape, foam mounting tape or screws.



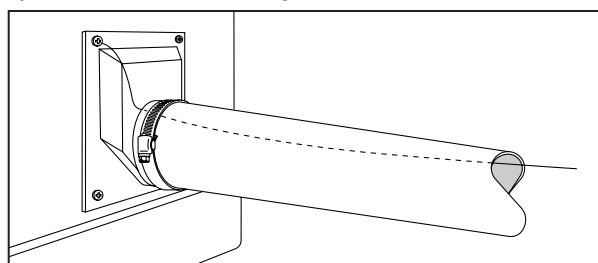
Stand modification showing intermediate adapter and hood placement.



Stand modification showing hole cutout and hood placement.

Grounding:

2. It is important to properly ground your system against the risk of spark caused by static electricity. Since plastic is an insulator, the movement of dry dust contacting the walls of the flex-hose will produce a static charge. This charge may build and eventually arc to the nearest ground. The resulting spark may cause a fire or explosion. To protect against static electric build-up, we strongly recommend the installation of an internal bare copper grounding wire (available from Woodstock International dealers). Fish the wire through the flex-hose and connect one end to the frame of your dust collector, making sure that metal to metal contact is made. Connect the other end to the frame of your woodworking machine. Ensure that your dust collector and woodworking machine are electrically grounded so that your machine frames provide a continuous ground for static electricity.



Internal ground wire connection to machine frame.



INSTRUCTIONS FOR ONE MACHINE DUST COLLECTION HOOK-UP KIT

Hose Connection:

3. Place a loosened wire hose clamp around one end of the flex-hose and slide the hose over the dust collector inlet port. If the dust collector port is not 4", it will be necessary to provide a reducer of the correct size to make the connection. Tighten the hose clamp with a screw driver to secure the flex-hose to the dust collector.
4. Place the second wire hose clamp around the free end of the flex-hose and slide the hose over the Universal Dust Hood. Secure the wire clamp with a screw driver.
5. Now, assuming that all safety precautions are observed, you are now ready to collect the dust produced by your woodworking machine.

Woodstock International offers a full line of accessory dust collection components that can be added to this kit for a more elaborate system. For more information about dust collection and system design, please refer to our handbook: **DUST COLLECTION BASICS - Recommendations for Home Shop Systems**. This handbook and other dust collection components are available through your Woodstock International dealer.

ADDITIONAL WOODSTOCK INTERNATIONAL DUST COLLECTION ACCESSORIES

The dust collection accessories included with this kit are for simple dust collection system hook-ups. More elaborate systems are possible, but will require additional accessories. All the accessories included in this kit can be used in a larger, more complex system as described in the handbook **DUST COLLECTION BASICS**. Consult with your local Woodstock product retailer for these dust collection accessories.

W1001	6 1/2" Jointer Dust Hood	W1023	5" Hose Clamp	W1053	Dust Collection Grounding Kit
W1002	8 1/2" Jointer Dust Hood	W1024	6" Hose Clamp	W1054	Dust Collections Accessories Kit #1
W1003	Floor Sweep	W1025	2" Hose Clamp	W1055	Dust Collections Accessories Kit #2
W1004	12" Table Saw Dust Hood	W1026	2" x 10' Hose	W1141	3" Aluminum Blast Gate
W1005	14" Table Saw Dust Hood	W1027	2 1/2" x 10' Hose	W1142	4" Aluminum Blast Gate
W1006	3" Blast Gate	W1028	3" x 10' Hose	W1315	2" Wire Hose Clamp
W1007	4" Blast Gate	W1029	3" x 20' Hose	W1316	3" Wire Hose Clamp
W1008	5" Blast Gate	W1030	3" x 50' Hose	W1317	4" Wire Hose Clamp
W1009	6" Blast Gate	W1031	4" x 10' Hose	W1318	5" Wire Hose Clamp
W1010	Universal Dust Hood	W1032	4" x 20' Hose	W1319	6" Wire Hose Clamp
W1011	4" to 3" Reducer	W1033	5" x 10' Hose	W2026	2" x 10' Clear Hose
W1012	3" T	W1034	4" x 10' Clear, Wire-Reinforced Hose	W2027	2 1/2" x 10' Clear Hose
W1013	4" T	W1035	5" x 10' Clear, Wire-Reinforced Hose	W2028	3" x 10' Clear Hose
W1014	3" Y	W1036	6" x 10' Clear, Wire-Reinforced Hose	W2031	4" x 10' Clear Hose
W1015	3" Y	W1041	3" to 2 1/2" Reducer	W2032	4" x 20' Clear Hose
W1016	3" Elbow	W1042	2 1/2" Universal Dust Port	W2033	5" x 10' Clear Hose
W1017	4" Elbow	W1049	Large Dust Collection Separator	W2046	2 1/2" Hose Adapter
W1018	3" Splice	W1050	<i>Dust Collection Basics</i> (Book)	W2049	Small Dust Collection Separator <i>(for use with a Shop Vac® & a 5-gallon bucket)</i>
W1019	4" Splice				
W1020	3" to 2" Reducer				
W1021	3" Hose Clamp				
W1022	4" Hose Clamp				