



Model M1108 Heavy Duty Grinder Stand

Instruction Sheet

CAUTION

If the grinder is particularly heavy, or you anticipate pushing material into the grinding wheel with heavy force, you must mount the pedestal stand to the floor. Failure to mount a stand that supports heavy grinders can result in the stand tipping over, causing personal injury!

Introduction

Your new SHOP FOX® Model M1108 Heavy Duty Grinder Stand (Figure 1) stands 30" tall with a 10" x 11" universal grinder mounting surface. The convenient water reservoir and tool rest is supported by a 17" wide x 16" deep tripod-footprint.

To install a grinder onto this stand, do these steps:

1. Remove the grinder rubber feet, and match the grinder base bolt pattern to the universal mounting surface on the stand.

Note: Ideally, the front of the grinder should be square with the front of the universal mounting surface on the stand.

2. Use hex bolts, flat washers and lock washers, and locking nuts to secure the grinder base to the stand as shown in **Figure 2**. **DO NOT** overtighten the fasteners or you will break the grinder base.
3. Secure the grinder stand tripod to the floor.



Figure 1. Grinder stand.

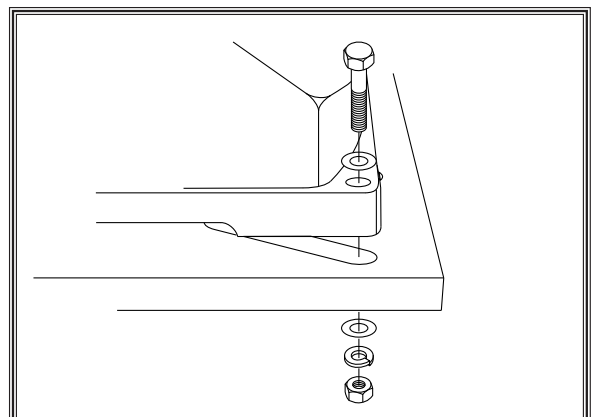


Figure 2. Mounting a grinder to the stand.

COPYRIGHT © APRIL, 2006

BY WOODSTOCK INTERNATIONAL, INC.

**WARNING: NO PORTION OF THIS MANUAL MAY BE REPRODUCED IN ANY
SHAPE OR FORM WITHOUT
THE WRITTEN APPROVAL OF WOODSTOCK INTERNATIONAL, INC.**

#8124CR

Printed in China