

Model D4645 Canister Filter for W1826 Instruction Sheet



Phone #: (360) 734-3482 • Online Tech Support: tech-support@shopfox.biz • Web: www.shopfox.biz

Introduction

This kit includes everything you need to upgrade your W1826 dust collector with a 1-micron canister filter and plastic collection bag.

The canister filter is equipped with an internal cleaning system that is operated by the external crank handle. Rotating this handle 5 or 6 times will knock loose any built-up dust inside the filter, thereby improving airflow. The plastic collection bag is replaceable, so it can be tied off and disposed of—without increasing your exposure to fine dust.

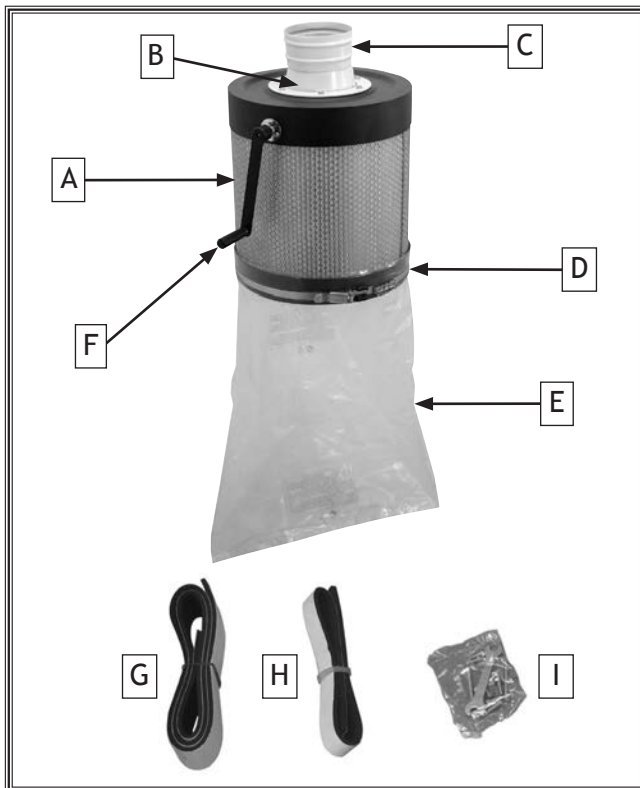


Figure 1. Model D4645.

Inventory

Description	Qty
A. Canister Filter	1
B. Collection Flange	1
C. Connection Collar	1
D. Bag Clamp.....	1
E. Collection Bag.....	1
F. Clean-Out Crank Handle Assembly	1
G. Adhesive Foam Strip, Long (For Filter)	1
H. Adhesive Foam Strip, Short (For Flange) ...	1
I. Hardware Bag	
Flange Screw 1/4"-20 x 3/4".....	6
Flat Washer 5/16"	4
Hex Nut 5/16"-18	2
Hex Bolt 5/16"-18 x 2"	2
Open-End Wrench 10 x 12mm.....	1

CAUTION

Properly seal all connection points when installing filter kit to reduce potential exposure to fine dust from leaks. Sawdust may cause allergic reactions or respiratory problems.

Installing Canister Filter

1. DISCONNECT MACHINE FROM POWER!
2. Remove bag clamp and filter bag from W1826 collector body.

COPYRIGHT © DECEMBER, 2017 BY WOODSTOCK INTERNATIONAL, INC.

WARNING: NO PORTION OF THIS MANUAL MAY BE REPRODUCED IN ANY SHAPE OR FORM WITHOUT

#19373MN

THE WRITTEN APPROVAL OF WOODSTOCK INTERNATIONAL, INC.

Printed in USA

3. Attach short foam strip to mating surface of collection flange (see Figure 2).

Note: In order to prevent leaks, you may have to cut strip into multiple pieces to obtain the necessary curve and achieve a consistent, uniform seal with no gaps.

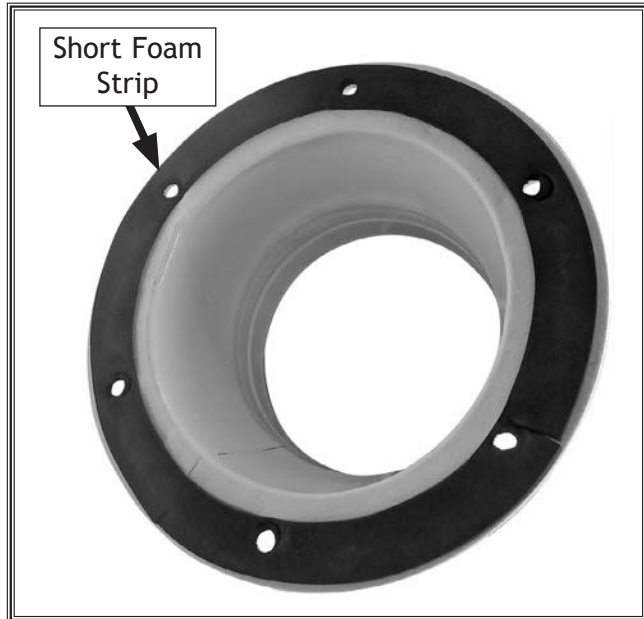


Figure 2. Flange gasket attached to collection flange.

4. Mount collection flange onto collector body outlet (see Figure 3).

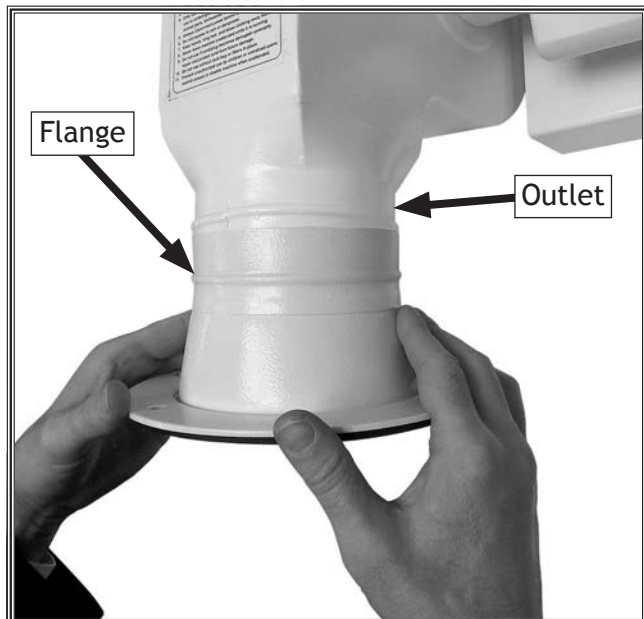


Figure 3. Mounting connection flange.

5. Wrap duct tape around seam to provide seal (see Figure 4).



Figure 4. Duct tape wrapped around seam between collection flange and outlet.

6. Install connection collar around collection flange and collector body outlet, as shown in Figure 5.

Note: You will need to pull connection collar apart slightly to get it around flange and collector body outlet.



Figure 5. Installing connection collar.

D4645 Canister Filter Instructions

7. Install (2) $\frac{5}{16}$ "-18 x 2" hex bolts, (4) $\frac{5}{16}$ " flat washers, and (2) $\frac{5}{16}$ "-18 hex nuts into connection collar, then tighten, making sure ridges in collar mate with ridges in flange and collector body outlet (see **Figure 6**).

Note: Tug flange by hand to make sure it is secure before proceeding.



Figure 6. Connection collar secured firmly in place around collection flange and outlet.

8. Attach canister filter to flange with (6) $\frac{1}{4}$ "-20 x $\frac{3}{4}$ " flange screws (see **Figure 7**).
9. Attach long foam strip to groove around bottom of canister filter (see **Figure 7**).
10. Place collection bag over bottom of canister filter and secure with bag clamp, making sure clamp is seated in groove over foam strip (see **Figure 7**).

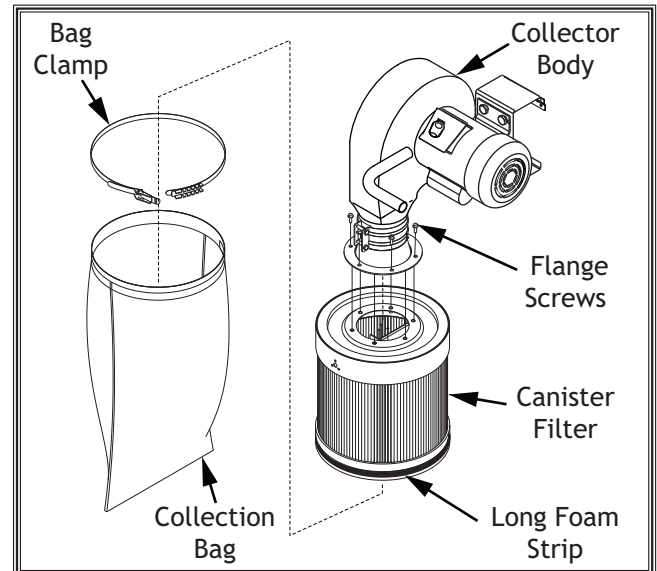
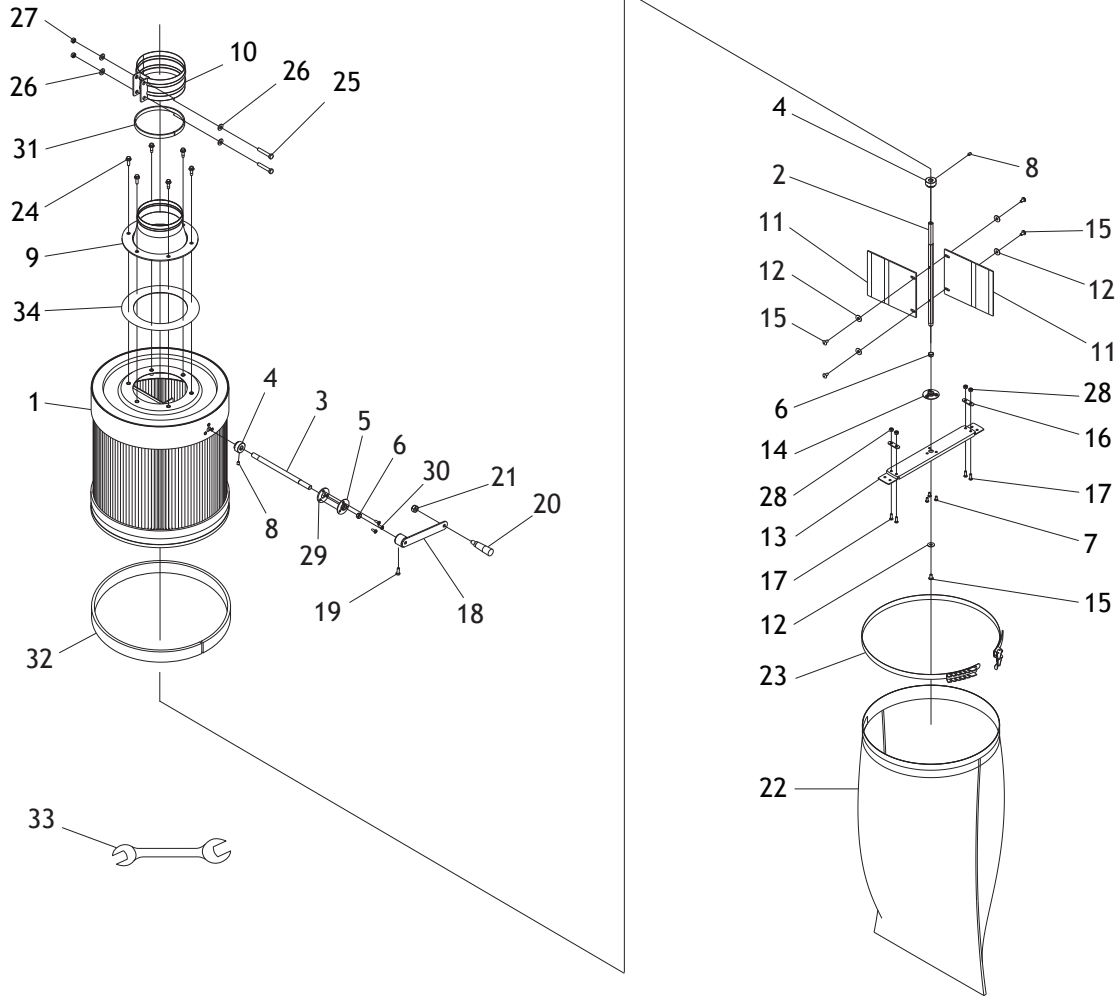


Figure 7. D4645 final assembly on dust collector.

D4645 Parts Breakdown & List



REF	PART #	DESCRIPTION
1	XD4645001	CANISTER FILTER 15" X 16-3/16"
2	XD4645002	MAIN SPINDLE
3	XD4645003	CRANK SPINDLE
4	XD4645004	BEVEL GEAR
5	XD4645005	BEARING PLATE
6	XD4645006	BUSHING
7	XD4645007	PHLP HD SCR M5-.8 X 10
8	XD4645008	SET SCREW 1/4-20 X 5/16
9	XD4645009	COLLECTION FLANGE
10	XD4645010	CONNECTION COLLAR
11	XD4645011	CLEANOUT FLAPPER
12	XD4645012	FLAT WASHER 1/4
13	XD4645013	SPINDLE BRACKET
14	XD4645014	BEARING PLATE
15	XD4645015	PHLP HD SCR M6-1 X 12
16	XD4645016	MOUNTING PLATE
17	XD4645017	PHLP HD SCR M5-.8 X 10

REF	PART #	DESCRIPTION
18	XD4645018	CLEAN-OUT CRANK ARM
19	XD4645019	HEX BOLT M6-1 X 16
20	XD4645020	CRANK HANDLE M10-1.5 X 14, 98L
21	XD4645021	LOCK NUT M10-1.5
22	XD4645022	COLLECTION BAG 22-3/4" X 30"
23	XD4645023	BAG CLAMP
24	XD4645024	FLANGE SCREW 1/4-20 X 3/4
25	XD4645025	HEX BOLT 5/16-18 X 2
26	XD4645026	FLAT WASHER 5/16
27	XD4645027	HEX NUT 5/16-18
28	XD4645028	HEX NUT M5-.8
29	XD4645029	GASKET (RUBBER)
30	XD4645030	PHLP HD SCR M5-.8 X 8
31	XD4645031	FLANGE SEAL (FOAM)
32	XD4645032	FILTER SEAL (FOAM)
33	XD4645033	WRENCH 10 X 12MM OPEN-ENDS
34	XD4645034	FLANGE GASKET (FOAM)