

Model D4562 Extension Bed for W1836 Instruction Sheet



Phone #: (360) 734-3482 • Online Tech Support: tech-support@shopfox.biz • Web: www.shopfox.biz

Introduction

The Model D4562 Bed Extension extends the bed length of the Model W1836 Mini Wood Lathe to 40⁷/₈" between centers.

Call Technical Support at (360) 734-3482 if you need additional help.

Inventory (Figure 1)

Description	Qty
A. Bed Extension	1
B. Cap Screws M10-1.25 x 25	2
C. Flat Washers 10mm	2
D. Rubber Feet	2

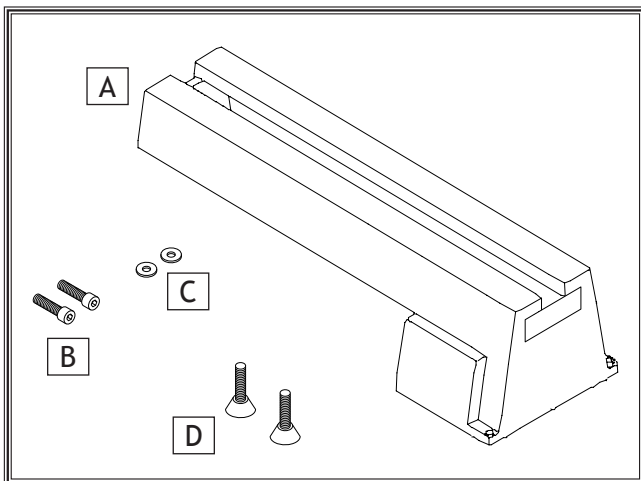


Figure 1. Model D4562 inventory.

Installation

1. Install rubber feet into bottom of bed extension.
2. Align mounting holes in bed extension and tailstock end of lathe bed, then thread included cap screws with flat washers through bed extension and lathe. Finger tighten only for now.
3. Center tailstock over bed extension and lathe as shown in **Figure 2**, and engage lock lever to bring bed extension and lathe surfaces even with bottom of tailstock.

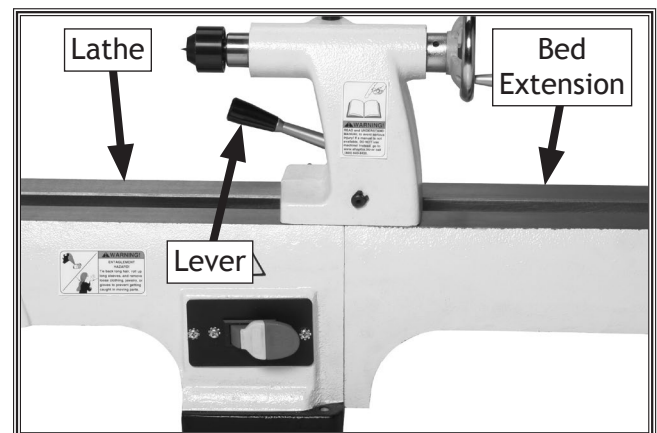


Figure 2. Tailstock centered over lathe and bed extension, and then locked into place to align bed surfaces. (Reference photo only, actual machine not shown).

4. Tighten cap screws with hex wrench.
5. Slide tailstock out of the way, and use straightedge to verify surfaces of lathe bed and bed extension are precisely aligned.

COPYRIGHT © MAY, 2015 BY WOODSTOCK INTERNATIONAL, INC.

WARNING: NO PORTION OF THIS MANUAL MAY BE REPRODUCED IN ANY SHAPE OR FORM WITHOUT THE WRITTEN APPROVAL OF WOODSTOCK INTERNATIONAL, INC.

#17401WK

Printed in China

- If bed extension tilts down, use masking tape along bottom edge of lathe to shim bed extension up (see **Figure 3**).

Tip: Rotate bed extension feet to control alignment by raising or lowering end of extension.

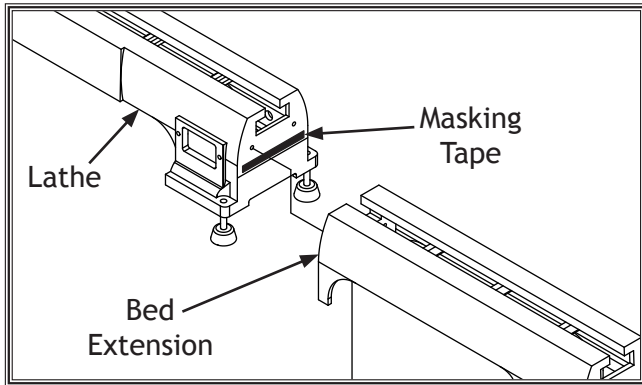


Figure 3. Shimming bed extension up.

- If bed extension tilts up, use masking tape along top edge of lathe to shim bed extension down (see **Figure 4**).

Tip: Rotate bed extension feet to control alignment by raising or lowering end of extension.

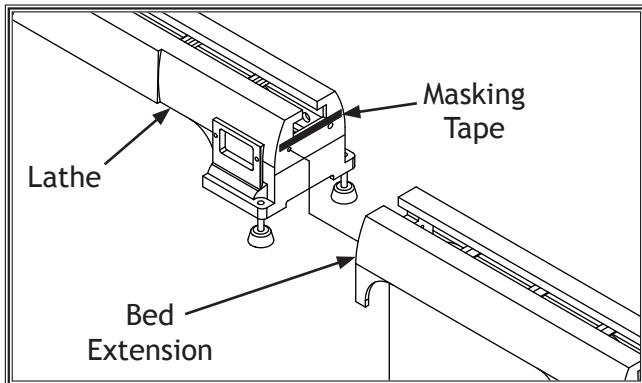


Figure 4. Shimming bed extension down.

- Slide tailstock back and forth over connection point.
 - If tailstock catches where lathe and bed extension meet, loosen fasteners and repeat **Steps 3-6** until tailstock slides smoothly.

- If bed extension is skewed left or right, use vertical strips of masking tape along corresponding edge of lathe to make extension parallel with lathe (see **Figure 5**).

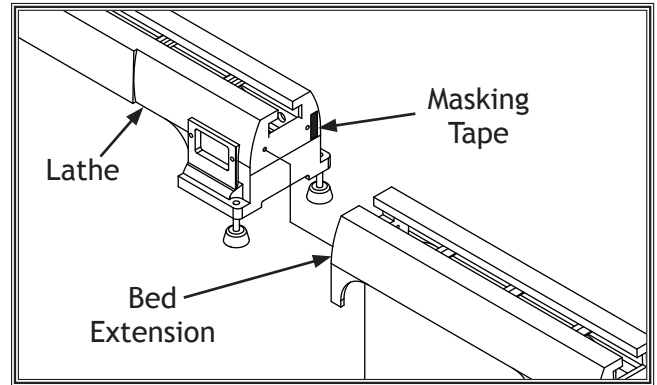
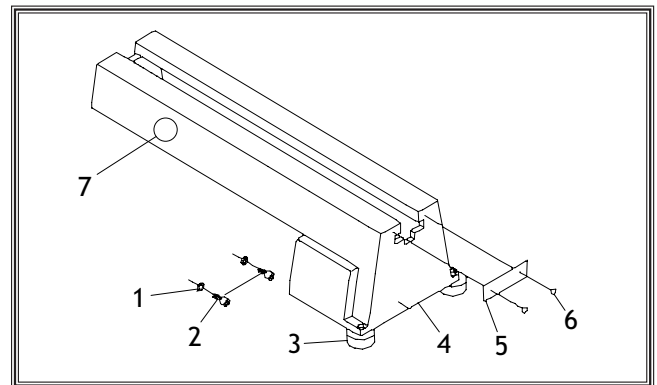


Figure 5. Shimming bed extension to left.

Customer Service

For questions contact Woodstock International Technical Support at (360) 734-3482, or send e-mail to: tech-support@woodstockint.com.

Parts Breakdown and List



REF PART #	DESCRIPTION
1	XD4562001 FLAT WASHER 10MM
2	XD4562002 CAP SCREW M10-1.5 X 25
3	XD4562003 FOOT (RUBBER)
4	XD4562004 BED EXTENSION
5	XD4562005 END PLATE
6	XD4562006 PHLP HD SCR M6-1 X 25
7	XD4562007 SHOP FOX WHITE TOUCH-UP PAINT