

**Model D4151
120V/230V ON/OFF
Paddle Switch
Instruction Sheet**



Phone #: (360) 734-3482 • Online Tech Support: tech-support@shopfox.biz • Web: www.shopfox.biz

! WARNING

To reduce risk of serious burns, electrocution or death when installing this switch:

- Only use this switch to replace an existing machine switch that has the same physical configuration and equivalent electrical specifications/ratings.
- Installation must only be performed by an electrician or qualified service personnel, and all applicable electrical codes must be adhered to.
- Turn *OFF* and completely disconnect all power sources to the machine before installing the switch.
- Do not use this switch in wet or damp locations, or near explosive fumes or flammable liquids. It is not sealed or rated for these environments.
- Make sure there is a verified machine ground on the circuit this switch is installed.



Figure 1. D4151 ON/OFF Paddle Switch.

Introduction

The Model D4151 features a recessed START button that can be disabled with a padlock, and a large STOP paddle that ensures fast shut-off.

Specifications

Rated HP @ 120V	2 HP
Rated HP @ 230V	3 HP
Rated Voltage Range	120V/230V
Rated Current @ 125V	35A
Rated Current @ 230V	20A
Resistive Rating	600V/15A
Padlock Shaft Size	$\frac{3}{16}$ "

COPYRIGHT © MAY, 2014 BY WOODSTOCK INTERNATIONAL, INC.

WARNING: NO PORTION OF THIS MANUAL MAY BE REPRODUCED IN ANY SHAPE OR FORM WITHOUT

#16593TS

THE WRITTEN APPROVAL OF WOODSTOCK INTERNATIONAL, INC.


Printed in China

Installation

When installing the D4151 switch, use the wiring diagram in **Figure 2** to ensure proper wire connections.

⚠ WARNING

This switch is intended to be connected to stranded wire with insulated crimp-type ring wire terminals.



All crimps must be "pull-checked" to ensure that wires are securely crimped and will not fall out with moderate tension or when exposed to normal machine vibration.

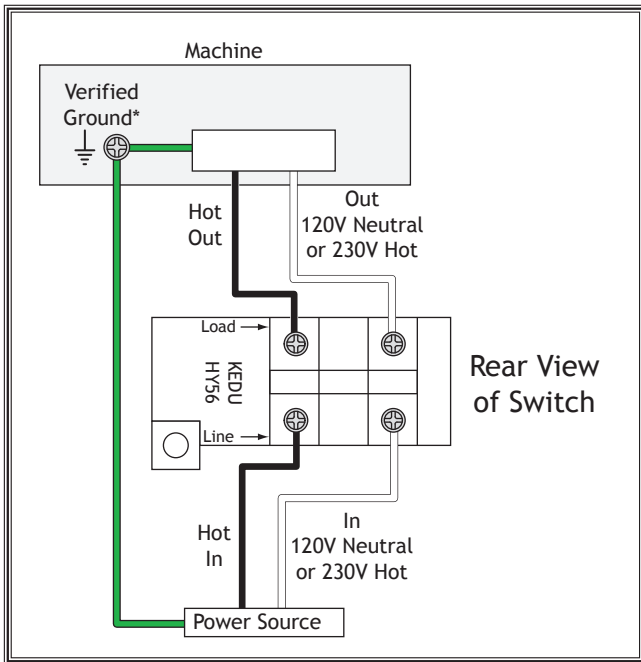


Figure 2. D4151 wiring diagram.

Disabling & Locking Switch

The switch can be disabled and locked by inserting a padlock through the ON/START button, as shown. Locking the switch in this manner can prevent unauthorized operation of the machine, which is especially important if the machine is not stored inside an access-restricted building.

IMPORTANT: Locking the switch with a padlock only restricts its function. It is not a substitute for disconnecting power from the machine when adjusting or servicing.

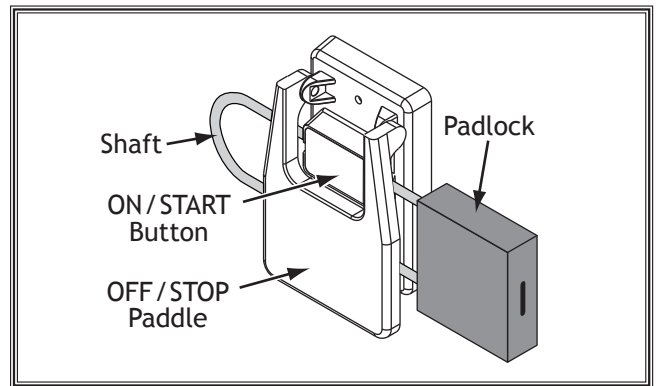


Figure 3. Switch disabled by padlock.

⚠ WARNING

Children or untrained people can be seriously injured by this machine. This risk increases with unsupervised operation. To help prevent unsupervised operation, disable and lock the switch before leaving machine unattended! Place key in a well-hidden or secure location.

NOTICE

The padlock shaft diameter is important to the disabling function of the switch. With any padlock used to lock the switch, test the switch after installation to ensure that it is properly disabled.

