

Model D3756 Dust Collection Accessories Kit Instruction Sheet



Phone #: (360) 734-3482 • Online Tech Support: tech-support@shopfox.biz • Web: www.shopfox.biz

Identification & Inventory

Refer to **Figure 1** and the descriptions below to identify and inventory your new dust collection accessories kit.

- A. **Clear Tube:** Connects the floor scoop to a dust hose and the dust collection system.
- B. **Blast Gate:** Opens or seals the opening to the dust collection system.
- C. **Clamping Handle:** Provides a method to control the floor scoop assembly.
- D. **Straight Adapter:** Connects two 4" dust collection accessories.
- E. **Hand-Held Brush Assembly:** Provides an easy way to clean chips and dust from workbenches and tables.
- F. **Wall Mounting Clamps:** Secures a dust hose or the floor scoop assembly on the wall for storage.
- G. **Dust Hose Adapter:** Connects a 4" dust accessory to a 4" dust hose.
- H. **Floor Scoop:** Provides a convenient way to clean chips and dust from the floor.

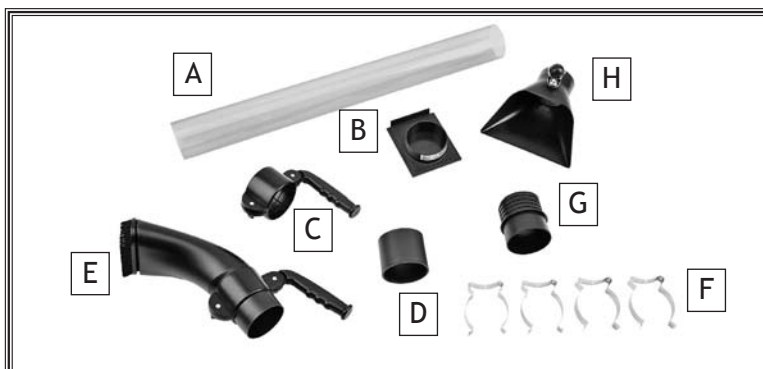


Figure 1. Shipping inventory.

Operation

For a convenient method of cleaning wood chips and dust from the floor, assemble the parts as shown in **Figure 2**, and connect a 4" dust hose between this assembly and your dust collection system.



Figure 2. Floor scoop configuration.

To clean wood chips and dust from workbenches and tables, connect the hand-held brush assembly directly to a dust hose, as shown in **Figure 3**.



Figure 3. Hand-held brush configuration.

Important: For safe and efficient operation of these devices, connect them, with a grounding wire for static electricity, to a dust collection system that provides at least 400 CFM of suction.

COPYRIGHT © JUNE, 2010 BY WOODSTOCK INTERNATIONAL, INC.

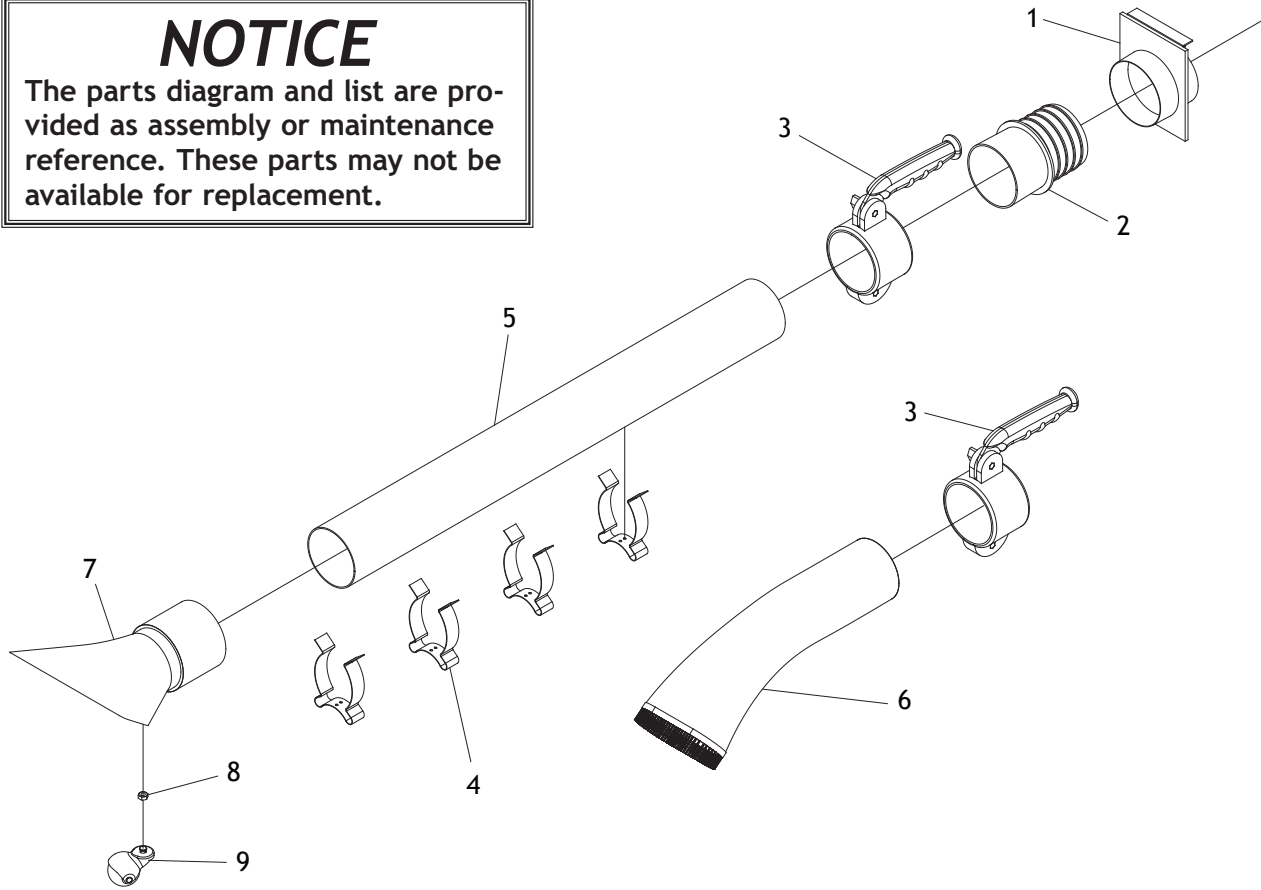
WARNING: NO PORTION OF THIS MANUAL MAY BE REPRODUCED IN ANY SHAPE OR FORM WITHOUT THE WRITTEN APPROVAL OF WOODSTOCK INTERNATIONAL, INC.

#12985TS

Printed in Taiwan

Parts

NOTICE
 The parts diagram and list are provided as assembly or maintenance reference. These parts may not be available for replacement.



REF	PART #	DESCRIPTION
1	XD3756001	BLAST GATE 4" ABS
2	XD3756002	COUPLER 4" ABS
3	XD3756003	CLAMPING HANDLE ASSEMBLY
4	XD3756004	WALL MOUNTING CLAMP 4"
5	XD3756005	CLEAR DUST COLLECTION TUBE 4"

REF	PART #	DESCRIPTION
6	XD3756006	HAND-HELD BRUSH ASSEMBLY
7	XD3756007	FLOOR SCOOP 4" ABS
8	XPN03M	HEX NUT M8-1.25
9	XD3756009	FLOOR SCOOP CASTER