

# MODEL D3240 PLATFORM TRUCK Instruction Sheet



Phone #: (360) 734-3482 • Online Tech Support: tech-support@shopfox.biz • Web: www.shopfox.biz

## Assembly

1. Attach the (2) swivel casters on the handle end of the platform truck using (8) M10-1.5 x 40 hex bolts, 10mm lock washers, and 10mm flat washers.
2. Attach the (2) casters on the other end of the platform truck using (8) M10-1.5 x 40 hex bolts, 10mm lock washers, and 10mm flat washers.
3. Attach the handle to the platform truck using (2) M-1.25 x 30 hex bolts, 8mm lock washers, and 8mm flat washers.

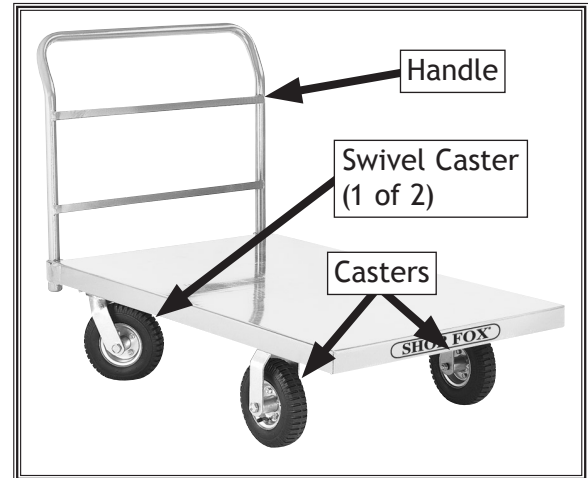


Figure 1. Platform truck components.

## Parts & Inventory

REF	PART #	DESCRIPTION	Qty
1	XD3240001	HANDLE	1
2	XD3240002	PLATFORM	1
3	XD3240003	SWIVEL CASTER	2
4	XD3240004	CASTER	2
5	XPB26M	HEX BOLT M8-1.25 X 30	2
6	XPLW06M	LOCK WASHER 10MM	16
7	XPW01M	FLAT WASHER 8MM	2
8	XPB31M	HEX BOLT M10-1.5 X 40	16
9	XPLW04M	LOCK WASHER 8MM	2
10	XD3240010	SHOP FOX LOGO STICKER	1
11	XPW04M	FLAT WASHER 10MM	16

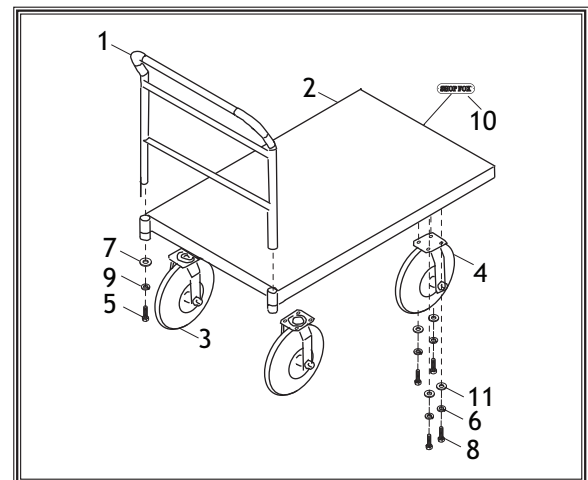


Figure 2. Model D3240 parts breakdown.

## **CAUTION**

This platform truck is NOT a toy. Never ride or convey passengers on the truck. Do not let children use the truck unsupervised.

COPYRIGHT © NOVEMBER, 2003 BY WOODSTOCK INTERNATIONAL, INC. REVISED JUNE, 2012 (KN)

WARNING: NO PORTION OF THIS MANUAL MAY BE REPRODUCED IN ANY SHAPE OR FORM WITHOUT

#5877JT

THE WRITTEN APPROVAL OF WOODSTOCK INTERNATIONAL, INC.

Printed in China